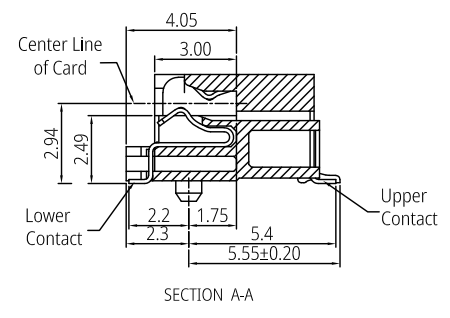
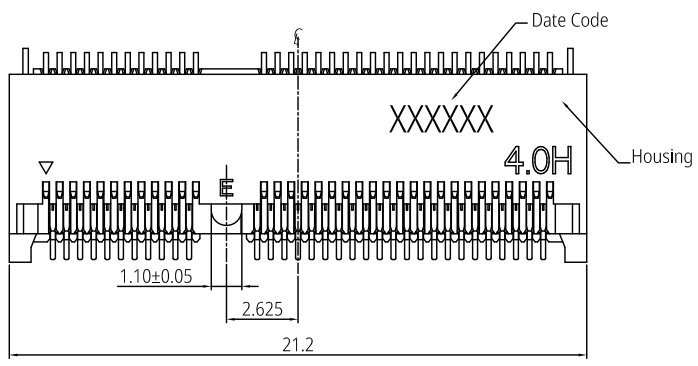


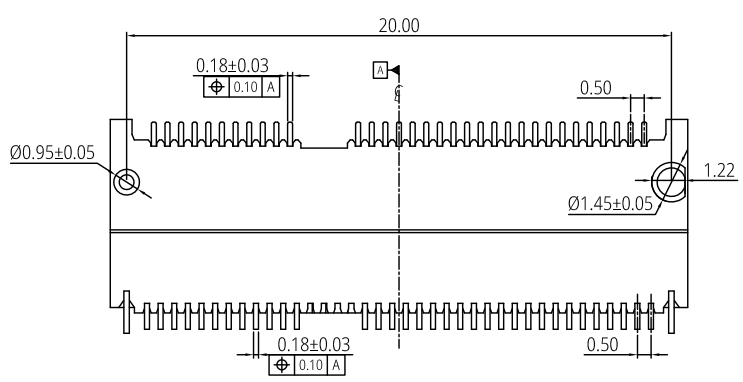
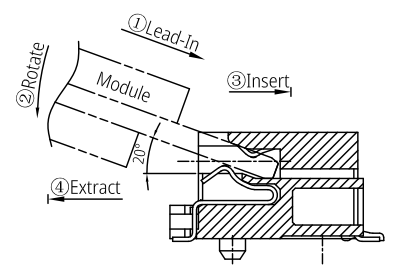
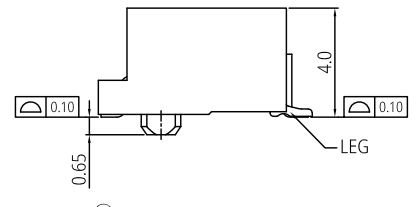
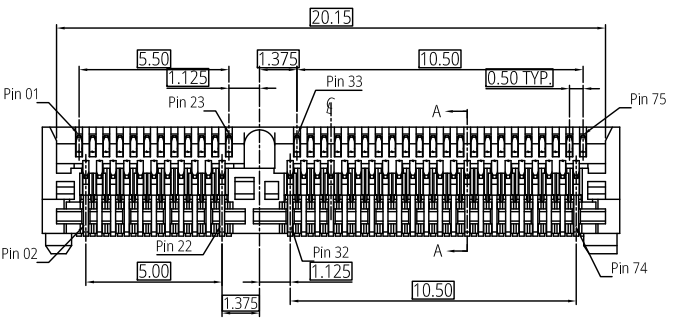
1 2 3 4 5 6 7 8

F
E
D
C
B
A

F
E
D
C
B
A



- Notes:
- Material Specification:
 - Housing: LCP+30% G.F UL94 V-0.
 - Contact: Copper Alloy (C5210) T=0.15mm.
 - Leg: Copper Alloy (C2680) T=0.20mm.
 - Plating Specification:
 - Contact: see P/N.
 - Leg: Matte Tin 50µ" min. overall, Nickel 50µ" min. underplated.
 - Mechanical Performance:
 - Insertion force: 20N max.
 - Withdrawal force: 20N max.
 - Durability: 60 cycles min.
 - Vibration:
 - No electrical discontinuity greater than 1u second. shall occur;
 - Mechanical shock: 285G half sine/6 axis. no electrical discontinuity greater than 1u second shall occur;
 - Electrical Performance:
 - Current Rating: 0.5A (per pin).
 - Voltage Rating: 50V AC (per pin).
 - LLCR: Contact 55mΩ max.(initial), 20mΩ max. change allowed (final).
 - Insulation Resistance: 5,000MΩ min. at 500V DC.
 - Dielectric withstand voltage: 300V AC/60s.
 - IR Reflow:
 - The peak temperature on board shall be maintained for 10 seconds at 260±5°C.
 - Operating temperature range: -40°C~85°C(without loss function).
 - All parts RoHS and Reach compliant.



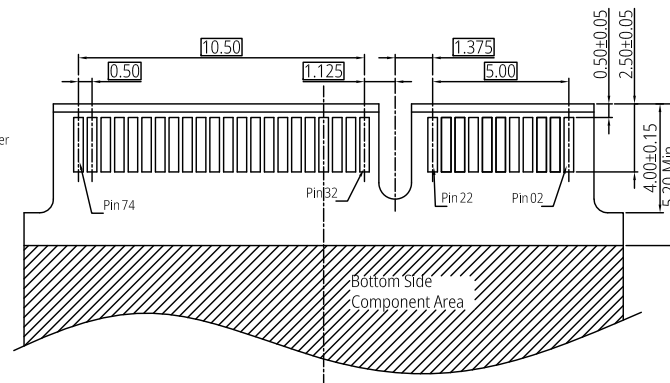
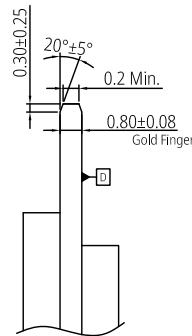
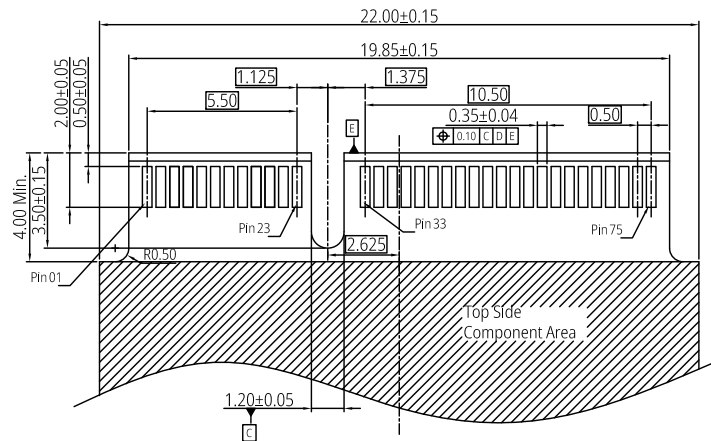
THIS DRAWING AND SPECIFICATION ARE THE PROPERTY OF Prolanv AND SHALL NOT BE COPIED OR USED WITHOUT PERMISSION	GENERAL TOLERANCES UNLESS SPECIFIED		PART NO.		<h1>Prolanv®</h1>		
	.X ± 0.30	X° ± 3°	PHN09101E00X				
	.XX ± 0.20	X° ± 2°	APPROVED BY		TITLE NGFF Socket (M.2 Connector) 0.50mm Pitch, Top-Mount 4.0H, STD. E-Key. Dual-SMT Type		
	.XXX ± 0.10	.XX° ± 1°	KYSIN				
CUSTOMER DRAWING		CHECKED BY		DWG NO.			
		HARRY		PHN09-10E			
SIZE	UNITS	DRAWN BY			SHEET	SCALE	REV
A4	mm[only]	LUCIE			1 / 3	1:1	B2

Part Number: PHN09101E00X

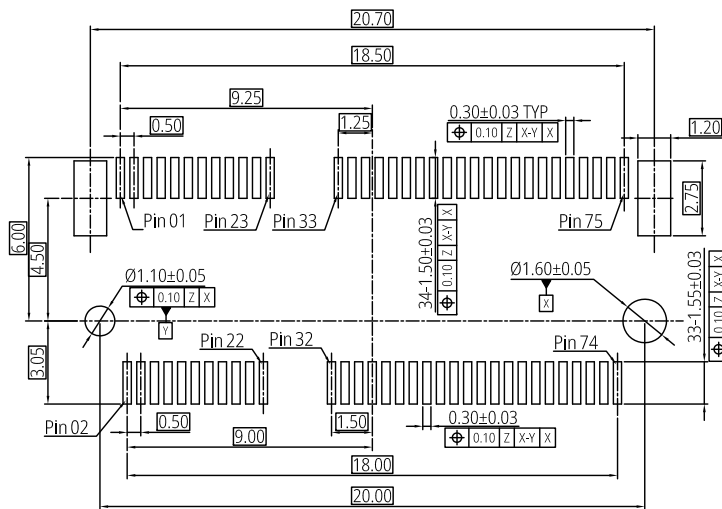
Contact Plating Spec. Code:

7: Gold Flash on Contact area, matte Tin 80µ" min. on Tails and 50µ" min. Nickel overall.
 9: Au 5µ" on Contact area, matte Tin 80µ" min. on Tails and 50µ" min. Nickel overall.
 A: Au 10µ" on Contact area, matte Tin 80µ" min. on Tails and 50µ" min. Nickel overall.

1 2 3 4 5 6 7 8

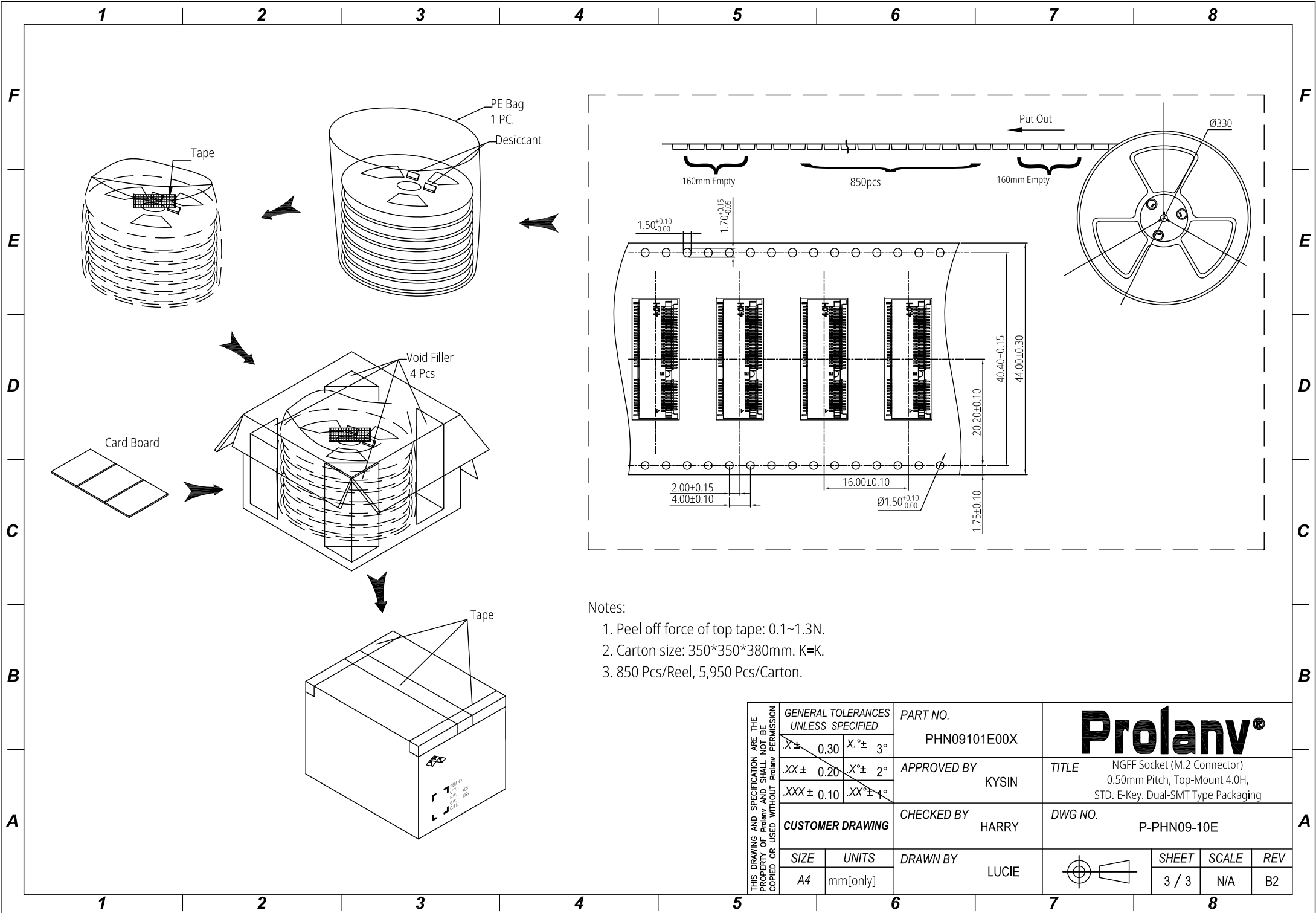


Recommended Mould Finger Layout
Default Tolerance: ±0.05mm



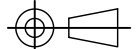
Recommended P.C.B Layout (Top View)
Default Tolerance: ±0.05mm

THIS DRAWING AND SPECIFICATION ARE THE PROPERTY OF Prolanv AND SHALL NOT BE COPIED OR USED WITHOUT PERMISSION	GENERAL TOLERANCES UNLESS SPECIFIED		PART NO.		<h1>Prolanv®</h1>		
	.X± 0.30	X°± 3°	PHN09101E00X				
	.XX± 0.20	X°± 2°	APPROVED BY		TITLE NGFF Socket (M.2 Connector) 0.50mm Pitch, Top-Mount 4.0H, STD. E-Key. Dual-SMT Type Layout		
	.XXX± 0.10	.XX°± 1°	KYSIN				
CUSTOMER DRAWING		CHECKED BY		DWG NO.			
		HARRY		PHN09-10E			
SIZE	UNITS	DRAWN BY			SHEET	SCALE	REV
A4	mm[only]	LUCIE			2 / 3	N/A	B2



Notes:

1. Peel off force of top tape: 0.1~1.3N.
2. Carton size: 350*350*380mm. K=K.
3. 850 Pcs/Reel, 5,950 Pcs/Carton.

THIS DRAWING AND SPECIFICATION ARE THE PROPERTY OF Prolanv AND SHALL NOT BE COPIED OR USED WITHOUT Prolanv PERMISSION	GENERAL TOLERANCES UNLESS SPECIFIED		PART NO.		<h1 style="margin: 0;">Prolanv®</h1>						
	X ± 0.30	X° ± 3°	PHN09101E00X								
	.XX ± 0.20	X° ± 2°	APPROVED BY		TITLE NGFF Socket (M.2 Connector) 0.50mm Pitch, Top-Mount 4.0H, STD. E-Key, Dual-SMT Type Packaging						
	.XXX ± 0.10	.XX° ± 1°	KYSIN								
CUSTOMER DRAWING		CHECKED BY		DWG NO. P-PHN09-10E							
		HARRY									
SIZE	UNITS	DRAWN BY		 <table border="1" style="display: inline-table; margin-left: 10px;"> <tr> <td>SHEET</td> <td>SCALE</td> <td>REV</td> </tr> <tr> <td>3 / 3</td> <td>N/A</td> <td>B2</td> </tr> </table>		SHEET	SCALE	REV	3 / 3	N/A	B2
SHEET	SCALE	REV									
3 / 3	N/A	B2									
A4	mm[only]	LUCIE									