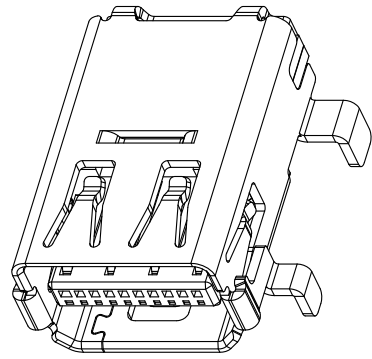
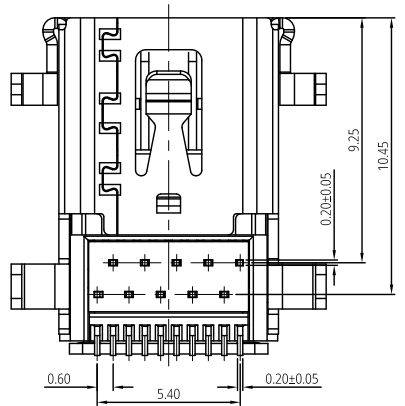
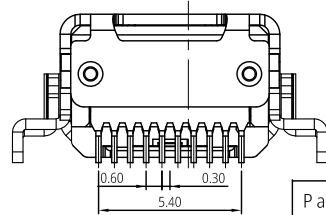
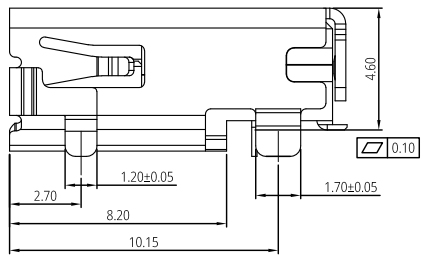
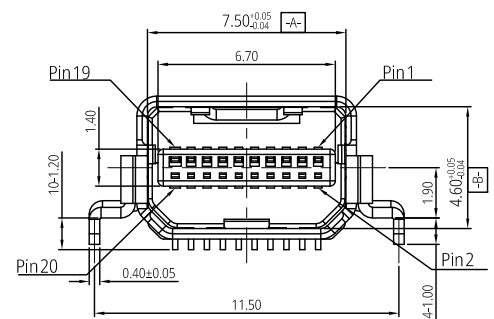


Recommended P.C.B Layout (Top View)
(Thickness: 1.20±0.05mm)
(Tolerance: ±0.05mm)



3D View

Notes:

1. Material Specification:
 - 1-1. Housing: LCP or PA9T+30% G.F UL94 V-0 Black.
 - 1-2. Contact: Copper Alloy (C2680) T=0.20mm.
 - 1-3. Shell: Stainless Steel (SUS304) T=0.40mm.
2. Plating Specification:
 - 2-1. Contact: see P/N.
 - 2-2. Shell: Nickel plated.
3. Mechanical Performance:
 - 3-1. Insertion force: 44.1N (4.5kgf) max.
 - 3-2. Withdrawal force: 9.8N-39.2(1.0-4.0kgf).
 - 3-3. Durability: 5,000 cycles.
4. Electrical Performance:
 - 4-1. Current rating: 0.5A.
 - 4-2. LLCR: Contact: 30mΩ max.(initial), Shell: 50mΩ max.(initial).
 - 4-3. Insulation Resistance:
 - A: unmated: 100MΩ min. at 500V DC.
 - B: mated: 10MΩ min. at 150V DC.
 - 4-4. Dielectric withstand voltage:
 - 150V AC/60s(mated), 250V AC/60s(unmated).
5. IR Reflow:

The peak temperature on board shall be maintained for 10 seconds at 260±5°C.
6. Operating temperature range: -35°C~105°C(without loss function).
7. All parts RoHS and Reach compliant.

Part Number: PDP051XX00X1

Housing Spec. Code: 0: LCP Black.
 1: PA9T Ivory

Mark Code: 0: W/O Logo.
 1: With Logo

Contact Plating Code:
 A: Gold Flash on Contact area, matte Tin 60µ" min. on Tails, and 50µ" min. Nickel overall.
 B: Au 5µ" on Contact area, matte Tin 60µ" min. on Tails and 5µ" min. Nickel overall.
 1: Gold Flash on Contact area, and on Tails. and 50µ" min. Nickel overall.

Pin Assignment			
Pin Number	Signal Assignment	Pin Number	Signal Assignment
1	GND	2	In
3	Out	4	CONFIG
5	Out	6	CONFIG
7	GND	8	GND
9	Out	10	Out
11	Out	12	Out
13	GND	14	GND
15	Out	16	I/O
17	Out	18	I/O
19	GND	20	PWR Out

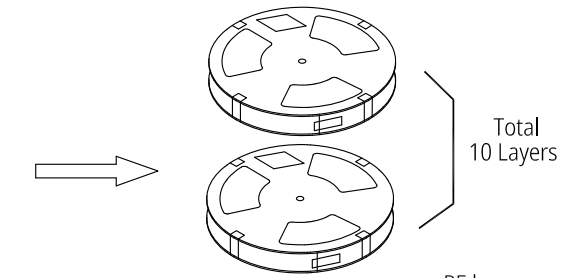
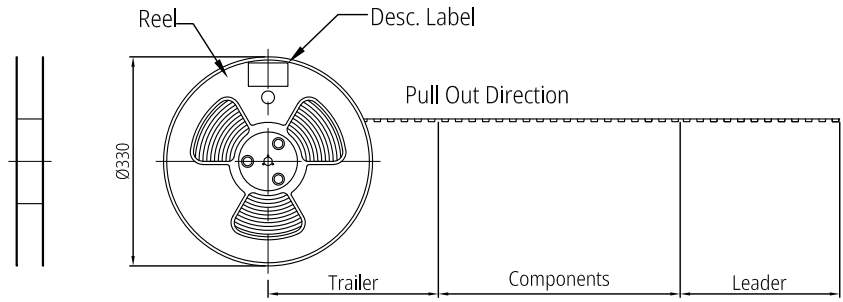
GENERAL TOLERANCES UNLESS SPECIFIED		PART NO.
.X ± 0.30	X° ± 3°	PDP051XX00X1
.XX ± 0.20	X° ± 2°	APPROVED BY
.XXX ± 0.05	.XX° ± 1°	Kysin
CUSTOMER DRAWING		CHECKED BY
		Harry
SIZE	UNITS	DRAWN BY
A4	mm[only]	Lucie

Prolanv®			
TITLE		Mini Displayport 20Pin Rec. 0.6Pitch, Mid-mount CH=1.9mm Hybrid Type	
DWG NO.		PDP05-10	
	SHEET	SCALE	REV
	1 / 2	1:1	D2

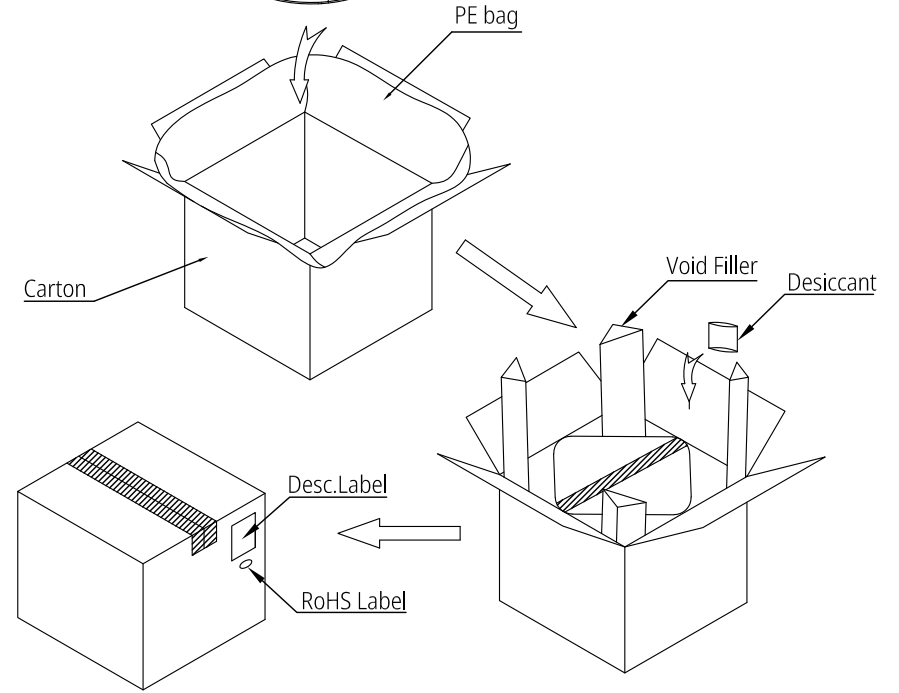
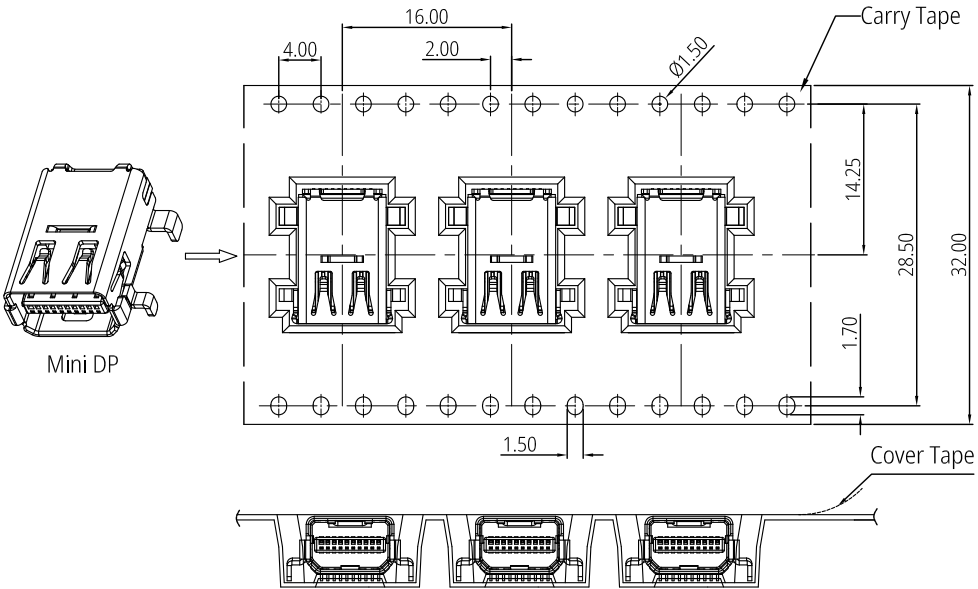
THIS DRAWING AND SPECIFICATION ARE THE PROPERTY OF Prolanv AND SHALL NOT BE COPIED OR USED WITHOUT Prolanv PERMISSION

1 2 3 4 5 6 7 8

F
E
D
C
B
A



Gather Material Direction Input Material Direction



- Notes:
- 1.The start and end of each reel, based on the actual quantity, reserved 10~20 Pcs space,
 - 2.Cover tape and carry tape peel: 10gf~130gf, Peel Deg.:165°~175°, peel speed: 250~300mm/min.,
 - 3.Carton size: 350*350*380mm. K=K.
 - 4.Q'ty: 500 pcs/reel, 10 reels/Carton, total:5,000 pcs/Carton.

THIS DRAWING AND SPECIFICATION ARE THE PROPERTY OF Prolanv AND SHALL NOT BE COPIED OR USED WITHOUT Prolanv PERMISSION	GENERAL TOLERANCES UNLESS SPECIFIED		PART NO.		Prolanv®		
	$X \pm 0.30$	$X^\circ \pm 3^\circ$	PDP051XX00X1				
	$.XX \pm 0.20$	$X^\circ \pm 2^\circ$	APPROVED BY		TITLE		
	$.XXX \pm 0.05$	$.XX^\circ \pm 1^\circ$	Kysin		Mini Displayport 20Pin Rec. 0.6Pitch, Mid-mount CH=1.9mm Hybrid Type, Packaging		
	CUSTOMER DRAWING		CHECKED BY		DWG NO.		
			Harry		P-PDP05-10		
SIZE	UNITS	DRAWN BY			SHEET	SCALE	REV
A4	mm[only]	Lucie			2 / 2	NA	D2

1 2 3 4 5 6 7 8