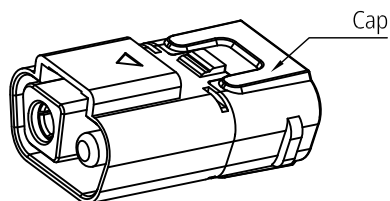
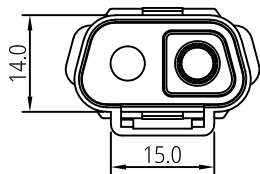
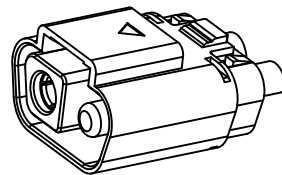


Patented product
专利产品

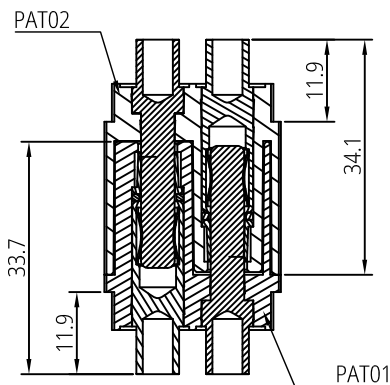
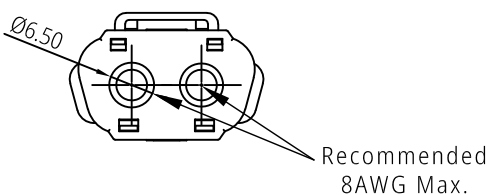
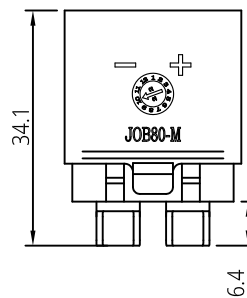
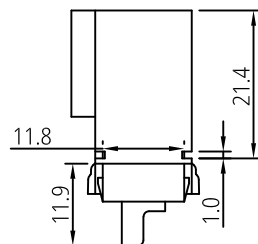
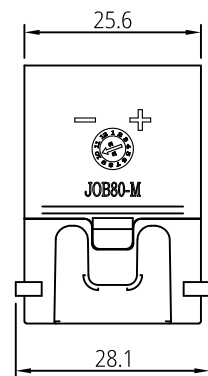
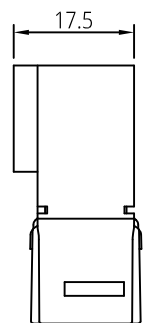
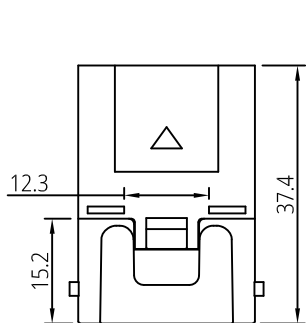
抑制涌流 Inhibit inrush current | 防火花 Anti Spark



With Cap 3D View



W/O Cap 3D View



Mating View

Item	P/N	Description
1	PAT0210BT001	AT80 Power male without Cap
2	PAT0210BT002	AT80 Power Male with Cap

Notes:

1. Material Specification

- 1-1. Housing: High Temperature Thermoplastic. UL94 V-0.
- 1-2. Contact: High Conductivity Copper Alloy.
- 1-3. Screw & Nut: Copper Alloy.

2. Plating Specification: Contact: Gold plating overall.

3. Electrical performance

- 3-1. Voltage Rating: 200V DC max.
- 3-2. Current Rating: 80A/Per Pin max.
- 3-3. LLCR: 0.80mΩ max (initial); 1.80mΩ max (final).
- 3-4. Dielectric Withstanding Voltage: 1500v DC rms/Power Pin.
- 3-5. Insulation Resistance: 5000 MΩ min/Power Pin.

4. Mechanical Performance:

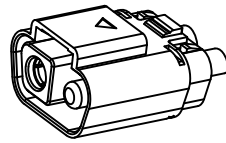
- 4-1. Insertion force: 24.5N (2.5kgf) max @ per pair.
- 4-2. Withdrawal force: 6N (0.6kgf) min @ per pair.
- 4-3. Durability life: 2,000 cycles max.

5. Operating Temperature Range: -25~+125°C.

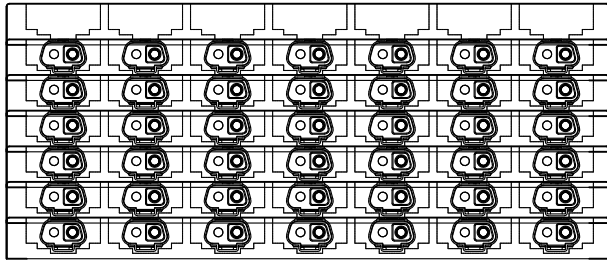
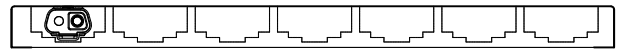
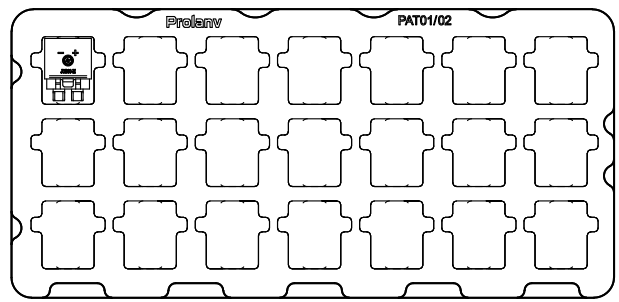
6. All parts RoHS and Reach compliant.

THIS DRAWING AND SPECIFICATION ARE THE PROPERTY OF Prolanv AND SHALL NOT BE COPIED OR USED WITHOUT Prolanv PERMISSION	GENERAL TOLERANCES UNLESS SPECIFIED		PART NO.		<h1 style="margin: 0;">Prolanv®</h1>		
	X ± 0.30	X° ± 3°	PAT0210BT00X				
	.XX ± 0.20	.X° ± 2°	APPROVED BY		TITLE		
	.XXX ± 0.05	.XX° ± 1°	Mike		AT80 Power Male. Wire-Harness Type.		
	CUSTOMER DRAWING		CHECKED BY		DWG NO.		
SIZE		DRAWN BY			SHEET	SCALE	REV
A4	UNITS	Poplar					

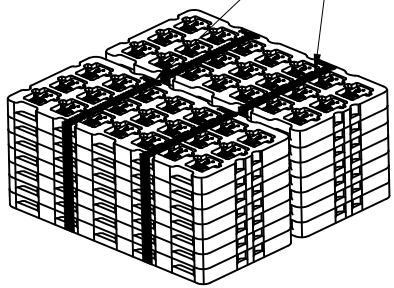
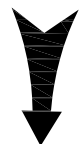
1 2 3 4 5 6 7 8



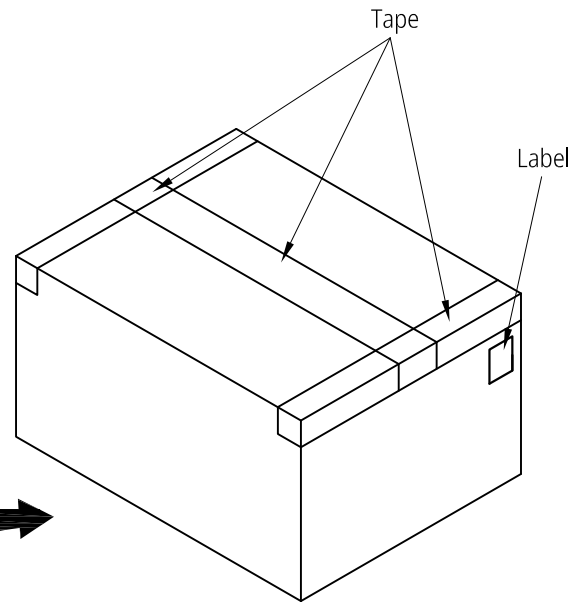
21 Pcs/Tray



Total: 2x7 Layers



PE Film

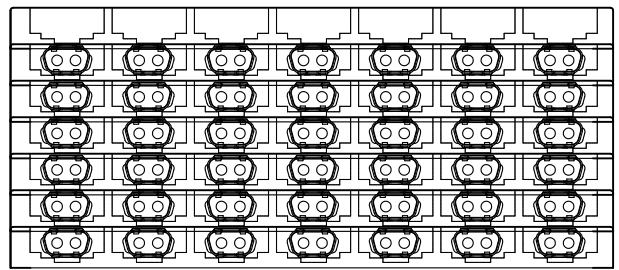
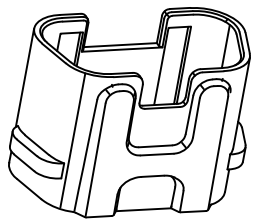


Notes:

1. Q'ty: 21 Pcs/Tray, 2x6 Layers=252 Pcs/Carton.
2. Tray Pallet size: 330*158*22.5mm.
3. Carton size: 350*350*155mm.

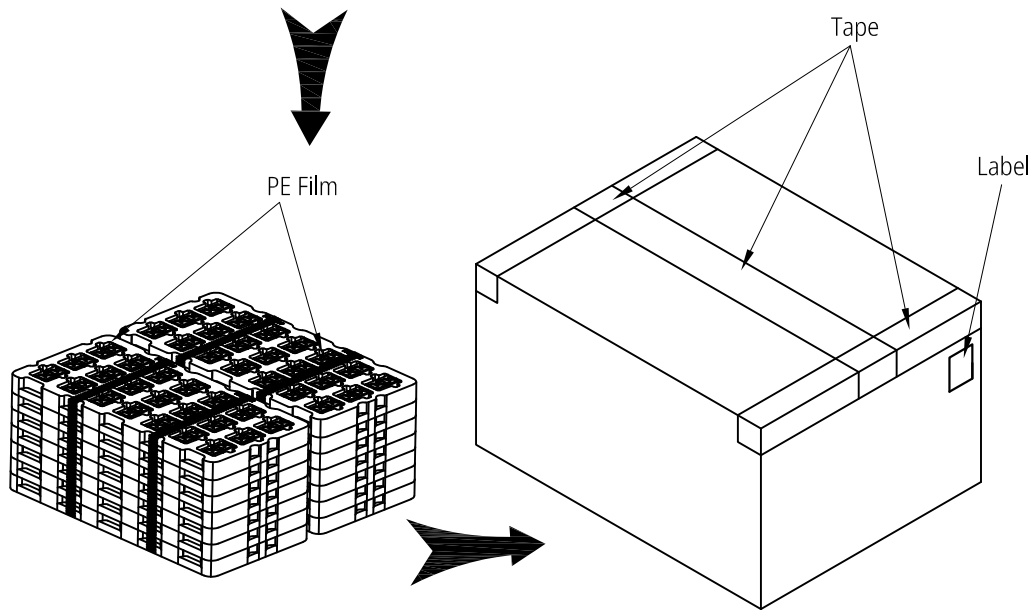
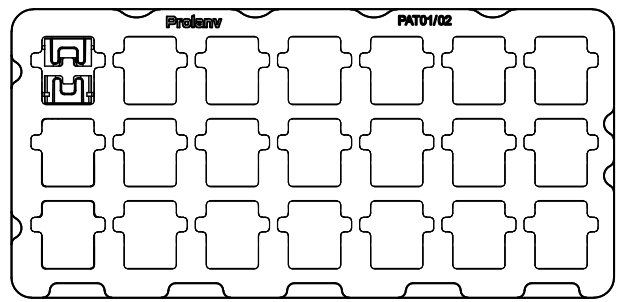
THIS DRAWING AND SPECIFICATION ARE THE PROPERTY OF Prolanv AND SHALL NOT BE COPIED OR USED WITHOUT Prolanv PERMISSION	GENERAL TOLERANCES UNLESS SPECIFIED		PART NO.	<h1 style="margin: 0;">Prolanv®</h1>		
			PAT0210BT001		TITLE	
	.X± 0.30	X°± 3°	APPROVED BY	AT80 Power Male. Wire-Harness Type Packaging		
	.XX± 0.20	X°± 2°	Mike			
	.XXX± 0.05	.XX°± 1°	CHECKED BY	DWG NO. P-PAT02-10		
CUSTOMER DRAWING		Henry				
SIZE	UNITS	DRAWN BY		SHEET	SCALE	REV
A4	mm[only]	Poplar		2 / 3	N/A	A0

1 2 3 4 5 6 7 8



42 Pcs/Tray

Total: 2x7 Layers



Notes:

1. Q'ty: 42 Pcs/Tray, 2x6 Layers=504 Pcs/Carton.
2. Tray Pallet size: 330*160*22.5mm.
3. Carton size: 350*350*155mm.

THIS DRAWING AND SPECIFICATION ARE THE PROPERTY OF Prolanv AND SHALL NOT BE COPIED OR USED WITHOUT Prolanv PERMISSION	GENERAL TOLERANCES UNLESS SPECIFIED		PART NO.	<h1 style="margin: 0;">Prolanv®</h1>		
			PAT02-203			
	.X± 0.30	X°± 3°	APPROVED BY	AT80 series		
	.XX± 0.20	.X°± 2°	Mike	Power Connector' Cap		
	.XXX± 0.05	.XX°± 1°	CHECKED BY	DWG NO.		
CUSTOMER DRAWING		Henry	P-PAT02-03			
SIZE	UNITS	DRAWN BY		SHEET	SCALE	REV
A4	mm[only]	Poplar		3 / 3	N/A	A0