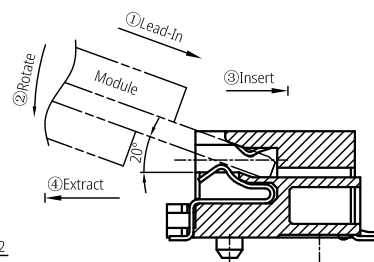
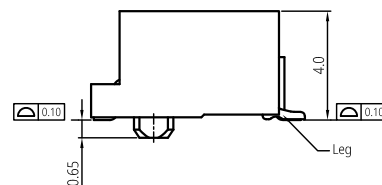
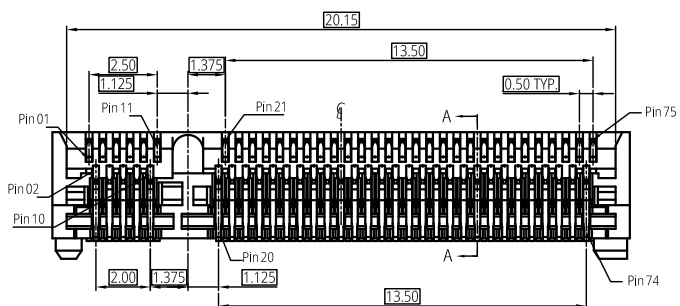


SECTION A-A



How to Mate and Unmate

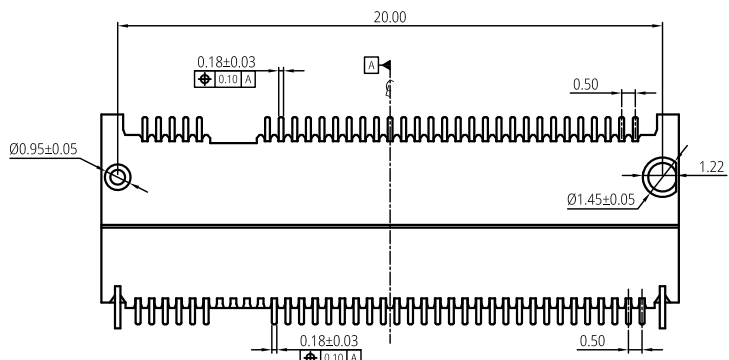
Mate: ① - ② - ③

Unmate: ④

Notes:

1. Material Specification:
 - 1-1. Housing: LCP+30% G.F UL94 V-0.
 - 1-2. Contact: Copper Alloy (C5210) T=0.15mm.
 - 1-3. Leg: Copper Alloy (C2680) T=0.20mm.
2. Plating Specification:
 - 2-1. Contact: see P/N.
 - 2-2. Leg: Matte Tin 50µ" min. overall, Nickel 50µ" min. underplated.
3. Mechanical Performance:
 - 3-1. Insertion force: 20N max.
 - 3-2. Withdrawal force: 20N max.
 - 3-3. Durability: 60 cycles min.
 - 3-4. Vibration:
 - No electrical discontinuity greater than 1u second. shall occur;
 - 3-5. Mechanical shock: 285G half sine/6 axis. no electrical discontinuity greater than 1u second shall occur;
4. Electrical Performance:
 - 4-1. Current Rating: 0.5A (per pin).
 - 4-2. Voltage Rating: 50V AC (per pin).
 - 4-3. LLCR: Contact 55mΩ max.(initial), 20mΩ max. change allowed (final).
 - 4-4. Insulation Resistance: 5,000MΩ min. at 500V DC.
 - 4-5. Dielectric withstand voltage: 300V AC/60s.
5. IR Reflow:

The peak temperature on board shall be maintained for 10 seconds at 260±5°C.
6. Operating temperature range: -40°C~85°C(without loss function).
7. All parts RoHS and Reach compliant.

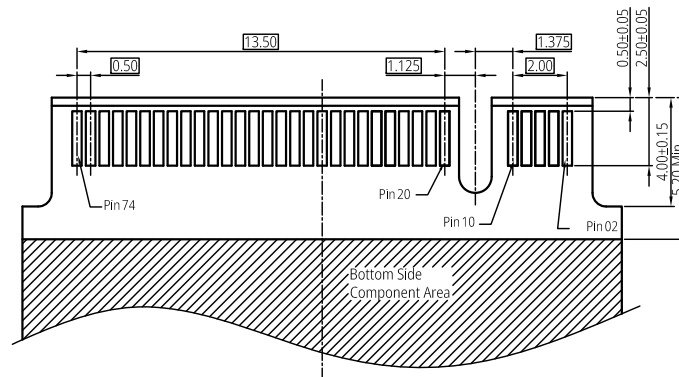
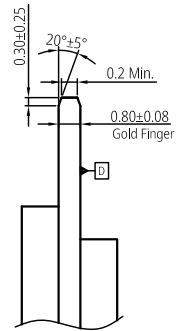
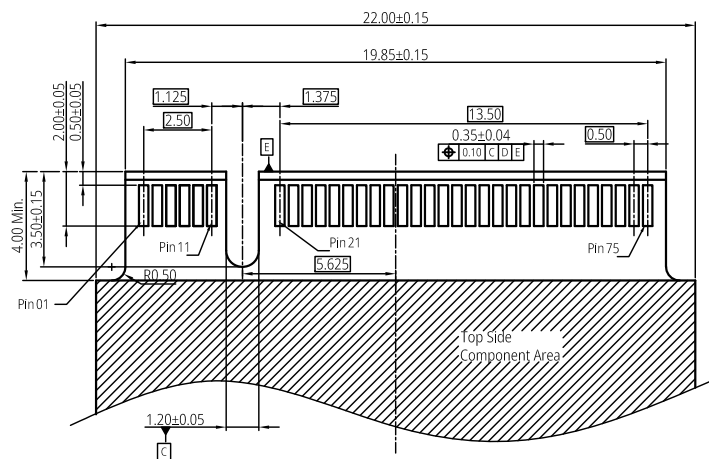


Part Number: PHN09101B00X

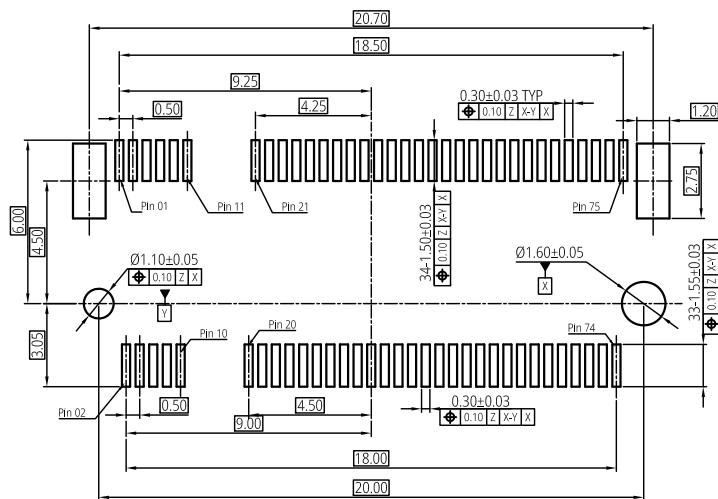
Contact Plating Spec. Code:

- 7: Gold Flash on Contact area, matte Tin 80µ" min. on Tails and 50µ" min. Nickel overall.
- 9: Au 5µ" on Contact area, matte Tin 80µ" min. on Tails and 50µ" min. Nickel overall.
- A: Au 10µ" on Contact area, matte Tin 80µ" min. on Tails and 50µ" min. Nickel overall.

THIS DRAWING AND SPECIFICATION ARE THE PROPERTY OF Prolanv AND SHALL NOT BE COPIED OR USED WITHOUT Prolanv PERMISSION	GENERAL TOLERANCES UNLESS SPECIFIED		PART NO.		Prolanv®
	.X± 0.30	X.°± 3°	PHN09101B00X		
	.XX± 0.20	X.°± 2°	APPROVED BY		TITLE
	.XXX± 0.10	.XX°± 1°	KYSIN		NGFF Socket (M.2 Connector) 0.50mm Pitch, Top-Mount 4.0H, STD. B-Key. Dual-SMT Type
CUSTOMER DRAWING		CHECKED BY		DWG NO.	
		HARRY		PHN09-10B	
SIZE	UNITS	DRAWN BY			SHEET
A4	mm [only]	LUCIE			1 / 3
				SCALE	REV
				1:1	B2



Recommended Mould Finger Layout
Default Tolerance: ±0.05mm


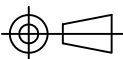


Recommended P.C.B Layout (Top View)
Default Tolerance: ±0.05mm

THIS DRAWING AND SPECIFICATION ARE THE PROPERTY OF Prolanv AND SHALL NOT BE COPIED OR USED WITHOUT Prolanv PERMISSION

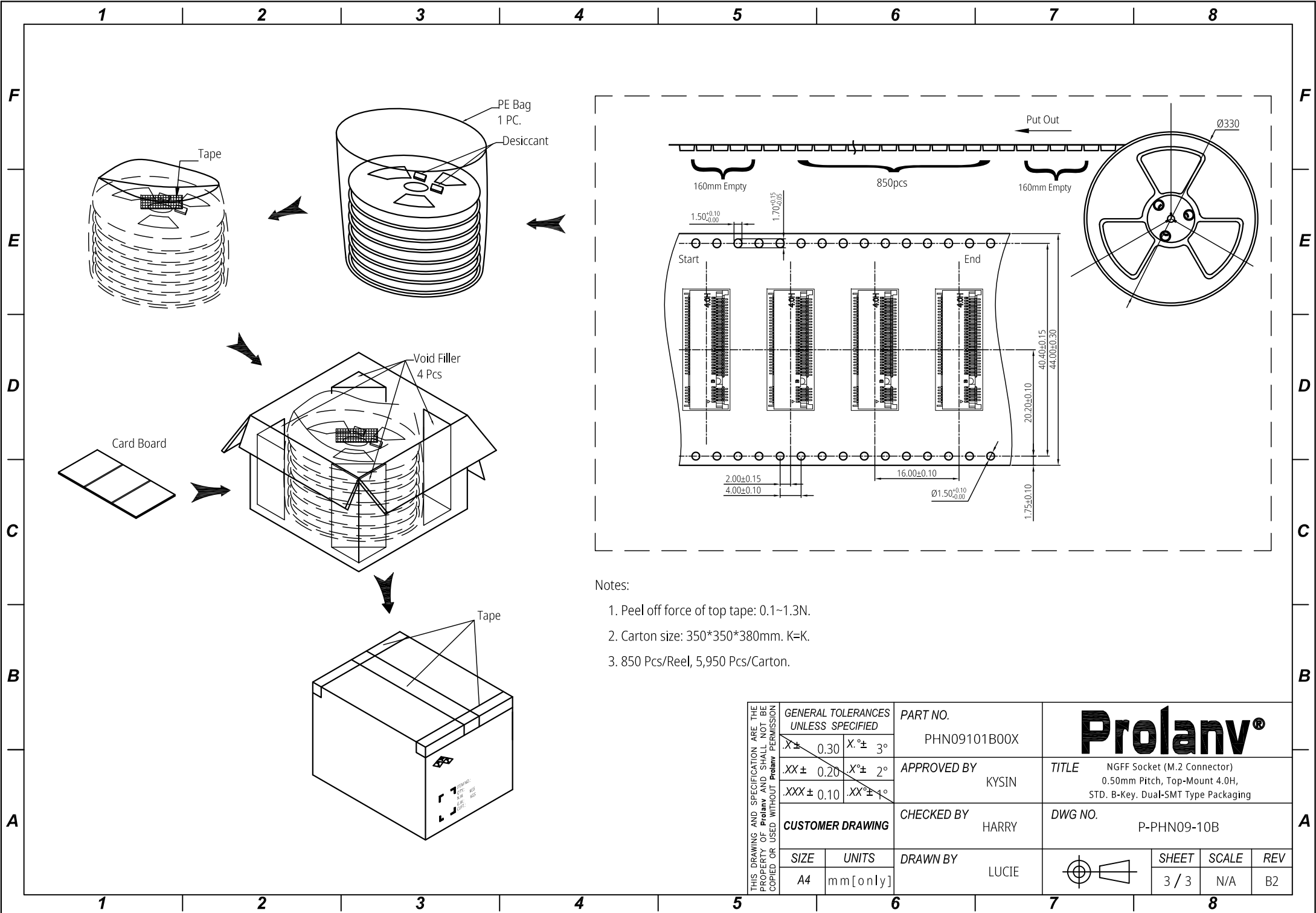
GENERAL TOLERANCES UNLESS SPECIFIED	
.X± 0.30	X.°± 3°
.XX± 0.20	X.°± 2°
.XXX± 0.10	.XX°± 1°

PART NO.	PHN09101B00X
APPROVED BY	KYSIN
CHECKED BY	HARRY
DRAWN BY	LUCIE

	TITLE		
	NGFF Socket (M.2 Connector) 0.50mm Pitch, Top-Mount 4.0H, STD. B-Key. Dual-SMT Type Layout		
	DWG NO.		
	PHN09-10B		

CUSTOMER DRAWING	
SIZE	UNITS
A4	mm [only]

SHEET	SCALE	REV
2 / 3	N/A	B2



- Notes:
1. Peel off force of top tape: 0.1~1.3N.
 2. Carton size: 350*350*380mm. K=K.
 3. 850 Pcs/Reel, 5,950 Pcs/Carton.

THIS DRAWING AND SPECIFICATION ARE THE PROPERTY OF Prolanv AND SHALL NOT BE COPIED OR USED WITHOUT Prolanv PERMISSION	GENERAL TOLERANCES UNLESS SPECIFIED		PART NO.		Prolanv®		
	$X \pm 0.30$	$X^\circ \pm 3^\circ$	PHN09101B00X				
	$.XX \pm 0.20$	$X^\circ \pm 2^\circ$	APPROVED BY		TITLE NGFF Socket (M.2 Connector) 0.50mm Pitch, Top-Mount 4.0H, STD. B-Key. Dual-SMT Type Packaging		
	$.XXX \pm 0.10$	$.XX^\circ \pm 1^\circ$	KYSIN				
CUSTOMER DRAWING		CHECKED BY		DWG NO.			
		HARRY		P-PHN09-10B			
SIZE	UNITS	DRAWN BY			SHEET	SCALE	REV
A4	mm [only]	LUCIE			3 / 3	N/A	B2