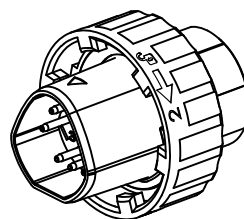
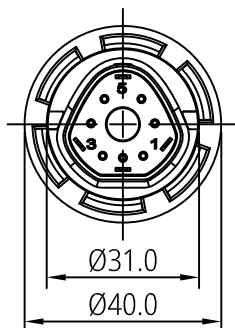


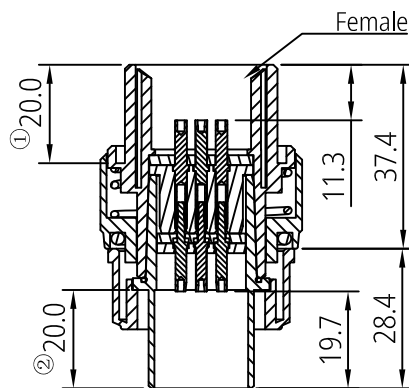
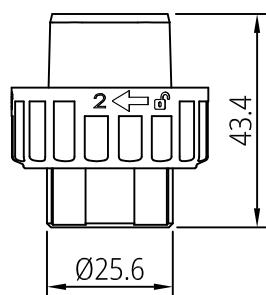
7 秒快拆 | 自动锁定  
Quick fit | Autolock

**P**atented product  
**专利产品**

快拆 | 抗振 | 防水 | 耐久 | 自锁定  
Quick Fit | Anti-Vibration | WaterProof  
Durability | Autolocking

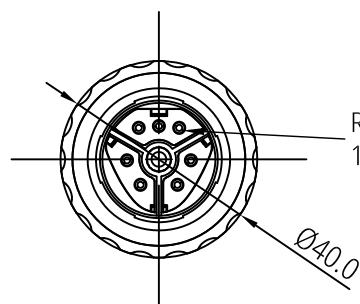


3D View



Mating View

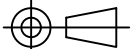
depth of penetration  
①②插入深度  
对配机身和机臂端

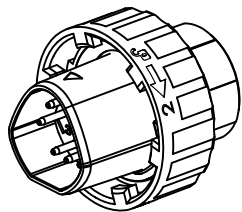


Recommended  
16 or 18AWG

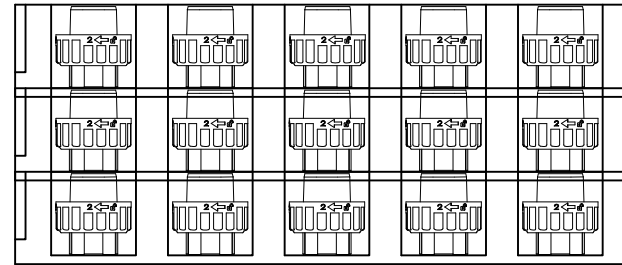
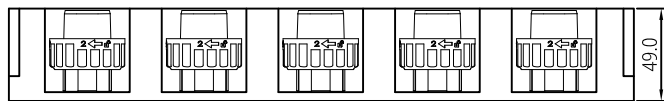
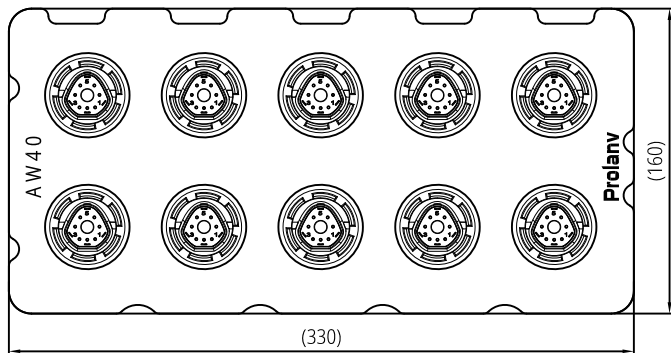
Notes:

- Material Specification
  - Housing: High Temperature Thermoplastic. UL94 V-0, Black.
  - Contact: High Conductivity Copper Alloy.
  - Screw & Nut: Copper Alloy.
  - Spring: Steel Alloy.
  - O-ring: Silica gel.
- Plating Specification: Contact: Gold plating overall.
- Electrical performance
  - Voltage Rating: 250V DC max.
  - Current Rating: 15A/Per Pin.
  - LLCR: 1.2mΩ max. at working height.
  - Dielectric Withstanding Voltage: 1500v DC rms/Power Pin.
  - Insulation Resistance: 5000 MΩ min/Power Pin.
- Mechanical Performance:
  - Insertion force: 68.6N (7.0kgf) (max).
  - Withdrawal force: 19.6N~63.7N (2.0~6.5 kgf).
  - Durability life: 5,000 cycles.
- Waterproof grade: IPX5 in the mate connectors module state.
- Operating Temperature Range: -40~125°C (without loss function).
- All parts RoHS and Reach compliant.
- See SPS-PAW-01 for assembly sequence with device.

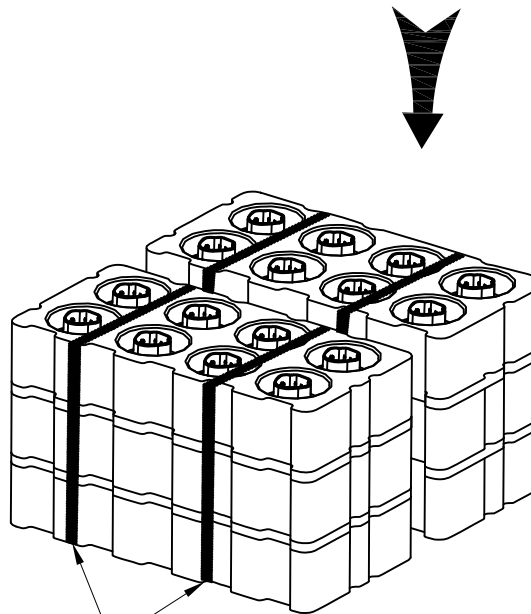
THIS DRAWING AND SPECIFICATION ARE THE PROPERTY OF Prolanv AND SHALL NOT BE COPIED OR USED WITHOUT Prolanv PERMISSION	GENERAL TOLERANCES UNLESS SPECIFIED		PART NO.		<b>Prolanv</b> <sup>®</sup>			
	X ± 0.30	X.° ± 3°	PAW1010C0001					
	XX ± 0.20	.X.° ± 2°	APPROVED BY	Mike	TITLE	AW40   Male. Wire-Harness Type. arm connector module		
	XXX ± 0.05	.XX.° ± 1°	CHECKED BY	Henry	DWG NO.	PAW10-10		
	SIZE	UNITS	DRAWN BY	Poplar		SHEET	SCALE	REV
	A4	mm[only]				1 / 2	1:1	A1



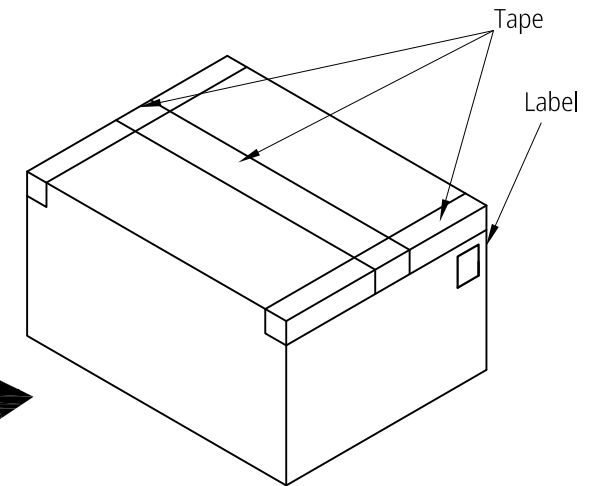
10Pcs/Tray



Total: 2x3 Layers

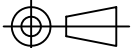


PE Film



Notes:

- Q'ty: 10 Pcs/Tray, 2x3 Layers= 60 Pcs/Carton.
- Tray Pallet size: 330\*160mm.
- Carton size: 350\*350\*155mm.

THIS DRAWING AND SPECIFICATION ARE THE PROPERTY OF Prolanv AND SHALL NOT BE COPIED OR USED WITHOUT Prolanv PERMISSION	GENERAL TOLERANCES UNLESS SPECIFIED		PART NO.	<b>Prolanv®</b>			
	X± 0.30	X°± 3°	PAW1010C0001				
	XX± 0.20	X°± 2°	APPROVED BY	TITLE			
	XXX± 0.05	XX°± 1°	Mike	AW40 Male. Wire-Harness Type. arm connector module Packaging			
	CUSTOMER DRAWING		CHECKED BY	DWG NO.			
			Henry	P-PAW10-10			
SIZE	UNITS	DRAWN BY			SHEET	SCALE	REV
A4	mm[only]	Poplar			2 / 2	N/A	A0