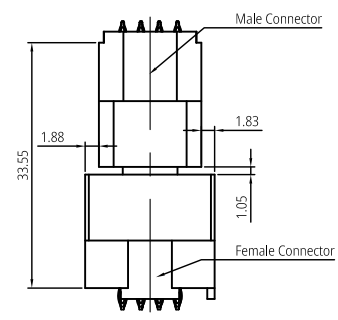
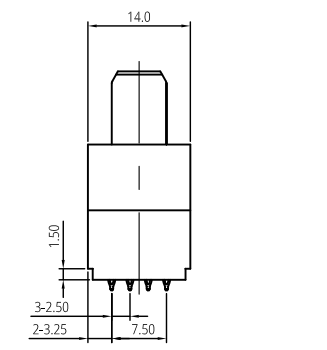
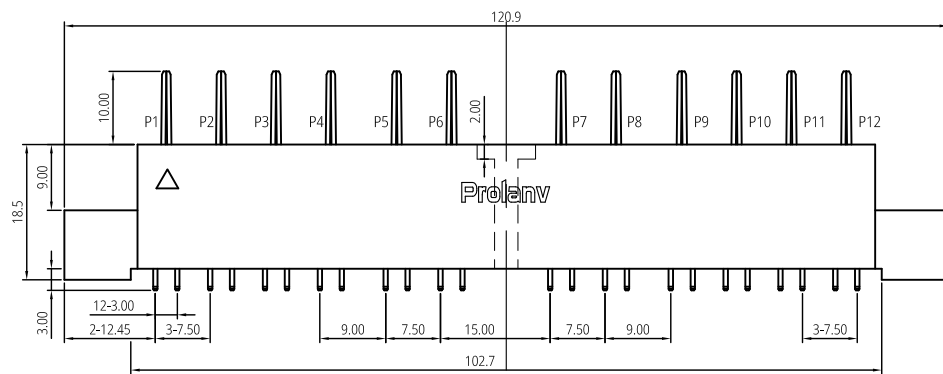


Recommended P.C.B layout (Top View)
Tolerance ± 0.05

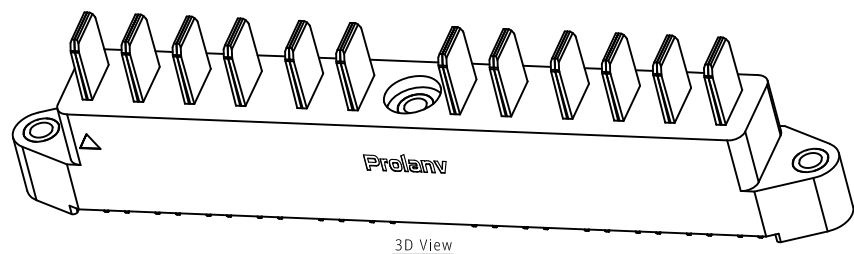
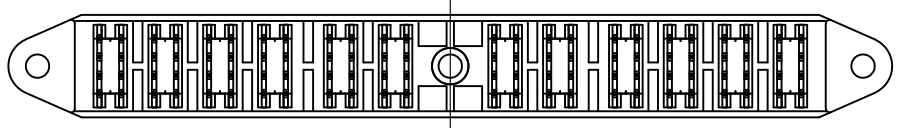


Mating View

Notes:

- Material Specification
 - Housing: High Temperature Thermoplastic. UL94 V-0, Black.
 - Contact: High Conductivity Copper Alloy.
 - Metal-Hole: Copper Alloy (H9.5mm/Hole $\varnothing 3.2\text{mm}$ & H14.75mm/Hole $\varnothing 3.2\text{mm}$)
- Plating Specification:
 - Contact: Gold plating on Contact area, matte Tin $80\mu\text{m}$ min. on Tails, and $50\mu\text{m}$ min, Nickel overall.
- Electrical performance
 - Voltage Rating: 250v DC/Power Pin.
 - Current Rating: 60A/per Power Blade.
 - LLCR: initial $1.0\text{m}\Omega$ max., finished $1.0\text{m}\Omega$ maximum change (per Power Blade).
 - Dielectric Withstanding Voltage: 1500v DC rms/Power Blade;
 - Insulation Resistance: 5000 M Ω min/power blade;
- Mechanical Performance:
 - Insertion force: 245N (25 kgf) (max.)
 - Withdrawal force: 9.8N~147N (1.0~15.0 kgf).
 - Durability life: 10,000 cycles (max.)
- IR Reflow:

The peak temperature on board shall be maintained for 10 seconds at $260 \pm 5^\circ\text{C}$.
- Operating Temperature Range: $-40 \sim 125^\circ\text{C}$ (without loss function).
- All parts RoHS and Reach compliant.
- ※ See SPS-PDC-06 for Terminal details.



3D View

THIS DRAWING AND SPECIFICATION ARE THE PROPERTY OF Prolanv AND SHALL NOT BE COPIED OR USED WITHOUT Prolanv PERMISSION	GENERAL TOLERANCES UNLESS SPECIFIED		PART NO.	Prolanv [®]						
	X ± 0.30	X° ± 3°	PDC3110F0001							
	XX ± 0.20	.X° ± 2°	APPROVED BY	TITLE						
	XXX ± 0.05	.XX° ± 1°	Kysin	EN60A series Power Male. H18.5mm, 12Pairs Vertical DIP Type						
	CUSTOMER DRAWING		CHECKED BY	DWG NO.						
SIZE		UNITS	DRAWN BY	<table border="1" style="display: inline-table; margin-left: 10px;"> <tr> <td>SHEET</td> <td>SCALE</td> <td>REV</td> </tr> <tr> <td>1 / 2</td> <td>1:1</td> <td>B0</td> </tr> </table>	SHEET	SCALE	REV	1 / 2	1:1	B0
SHEET	SCALE	REV								
1 / 2	1:1	B0								
A4	mm[only]	Lucie								

1 2 3 4 5 6 7 8

F

F

E

E

D

D

C

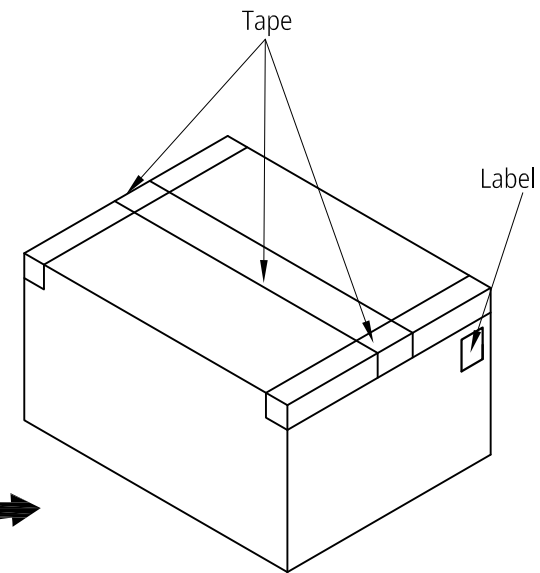
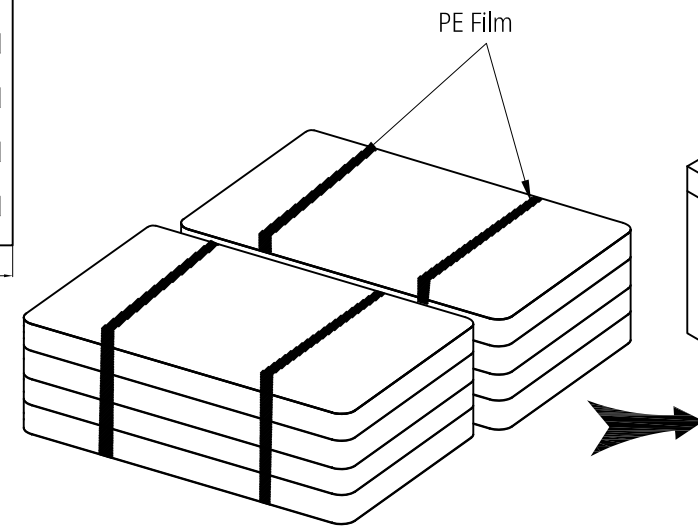
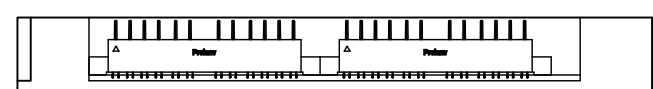
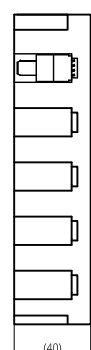
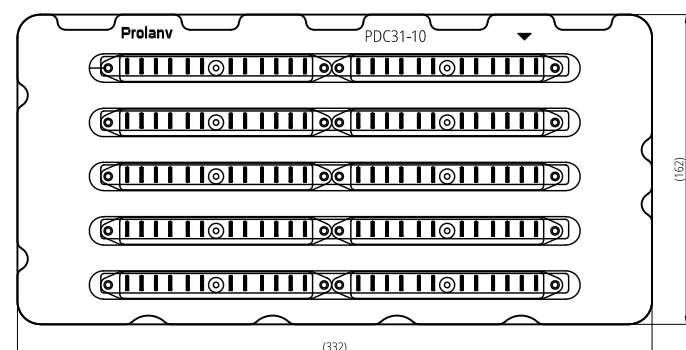
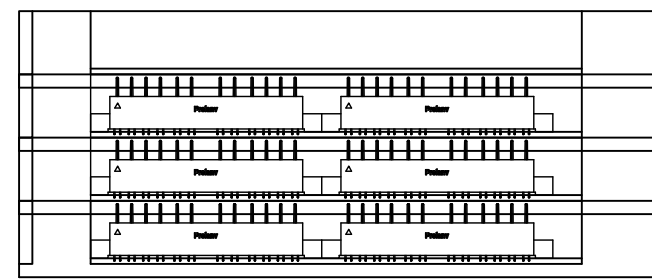
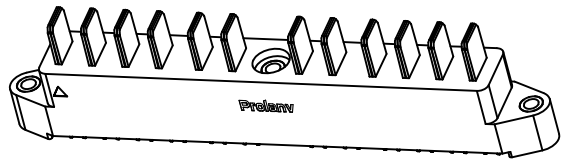
C

B

B

A

A



Notes:

1. Q'ty: 10Pcs/Tray, 2x3 Layers=60 Pcs/Carton.
2. Tray Pallet size: 332*162mm.
3. Carton size: 350*350*155mm.

THIS DRAWING AND SPECIFICATION ARE THE PROPERTY OF Prolanv AND SHALL NOT BE COPIED OR USED WITHOUT Prolanv PERMISSION	GENERAL TOLERANCES UNLESS SPECIFIED		PART NO.		Prolanv [®]			
	X ± 0.30	X° ± 3°	PDC3110F0001					
	XX ± 0.20	XX° ± 2°	APPROVED BY	Kysin	TITLE	EN60A series Power Male. H18.5mm, 12Pairs Packaging		
	XXX ± 0.05	XXX° ± 1°	CHECKED BY	Harry	DWG NO.	P-PDC31-10		
	SIZE	UNITS	DRAWN BY	Lucie		SHEET	SCALE	REV
	A4	mm[only]				2 / 2	N/A	A2

1 2 3 4 5 6 7 8