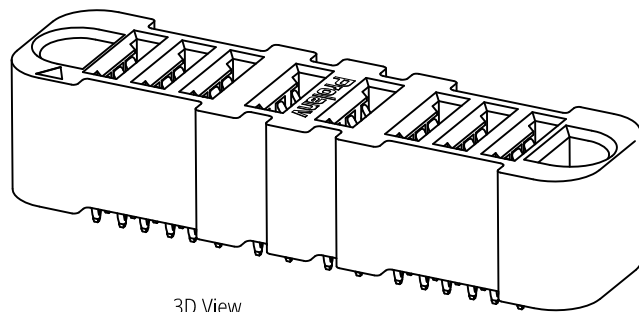
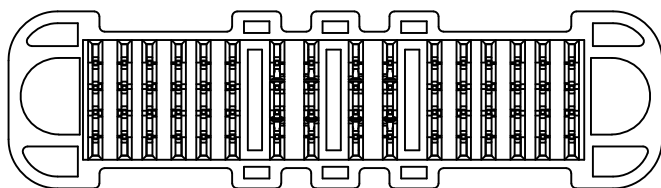
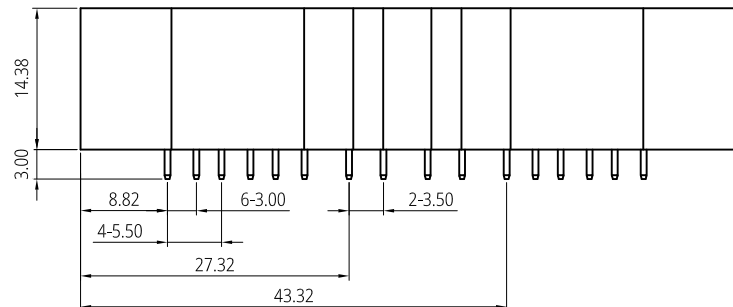
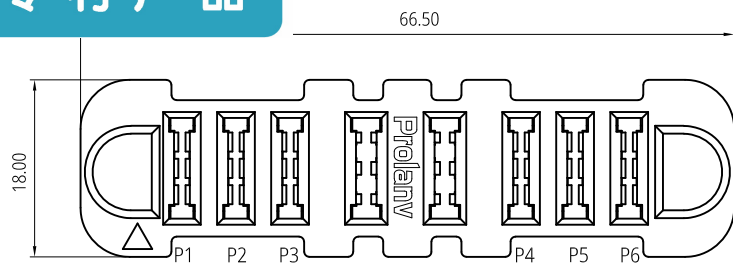
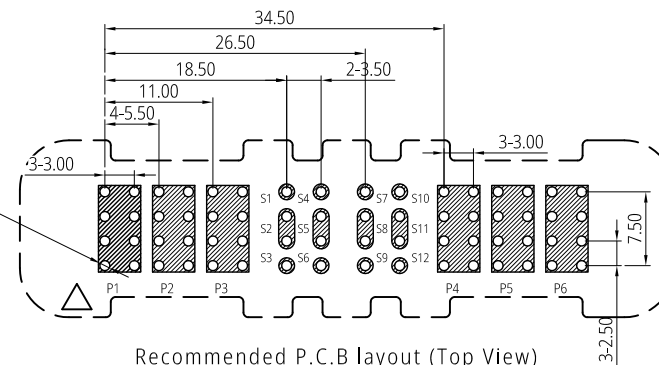
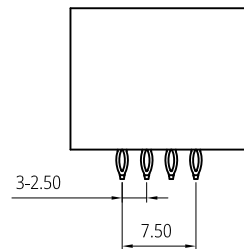


**P**atented product  
**专 利 产 品**



※64-Ø1.25±0.05  
 (with Press Fit Process  
 Recommended Ø1.15)



Recommended P.C.B layout (Top View)

Tolerance ±0.05

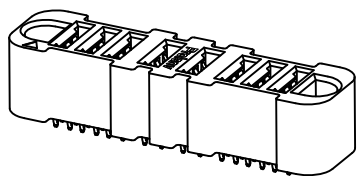
Notes:

- Material Specification
  - Housing: High Temperature Thermoplastic. UL94 V-0, Black.
  - Contact: High Conductivity Copper Alloy.
- Plating Specification:
  - Contact: Gold plating on Contact area, matte Tin 80µ" min. on Tails and 50µ" min. Nickel overall.
- Electrical performance
  - Voltage Rating: 250v DC/Power Pin, 120v DC/Signal Pin.
  - Current Rating: 60A/per Power Blade, 3A/Signal Pin.
  - LLCR: initial 0.6mΩ max., finished 1.0mΩ maximum change (per Power Blade) initial 10mΩ max., finished 20mΩ max.(per Signal Pin)
  - Dielectric Withstanding Voltage:
    - 1500v DC rms/Power Blade; 500v DC rms/Signal Pin,
  - Insulation Resistance:
    - 5000 MΩ min/power blade; 500 MΩ min/signal pin;
- Mechanical Performance:
  - Insertion force: 120N (12.2 kgf) (max.)
  - Withdrawal force: 9.8N~98N (1.0~10.0 kgf).
  - Durability life: 10,000 cycles (max.)
- IR Reflow:
  - The peak temperature on board shall be maintained for 10 seconds at 260±5°C.
- Operating Temperature Range: -40~125°C(without loss function).
- All parts RoHS and Reach compliant.
- ※ See SPS-PDC-06 for Terminal details.

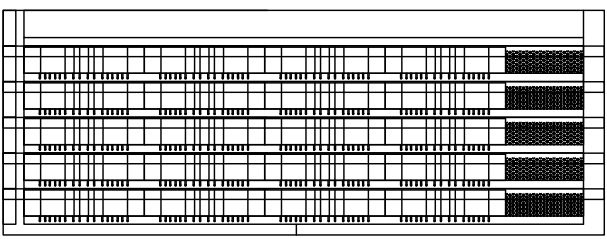
THIS DRAWING AND SPECIFICATION ARE THE  
 PROPERTY OF Prolanv AND SHALL NOT BE COPIED  
 OR USED WITHOUT Prolanv PERMISSION

GENERAL TOLERANCES UNLESS SPECIFIED		PART NO. PDC1810F0002	<b>Prolanv®</b>						
X± 0.30	X.º± 3º			APPROVED BY Kysin	TITLE EN60A series   Power Female. 6PW+12S, Straight Type				
XX± 0.20	.X.º± 2º				CHECKED BY Harry	DWG NO. PDC18-02			
XXX± 0.05	.XX.º± 1º	DRAWN BY Lucie	<table border="1"> <tr> <td rowspan="2">SHEET</td> <td>SCALE</td> <td>REV</td> </tr> <tr> <td>1 / 2</td> <td>1:1</td> <td>B0</td> </tr> </table>			SHEET	SCALE	REV	1 / 2
SHEET	SCALE	REV							
	1 / 2	1:1	B0						
CUSTOMER DRAWING									
SIZE	UNITS								
A4	mm[only]								

1 2 3 4 5 6 7 8

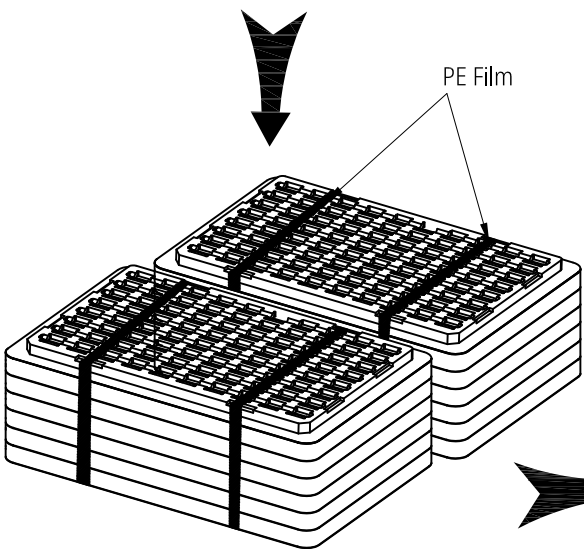
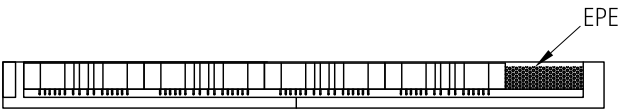
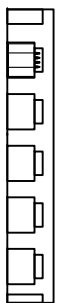
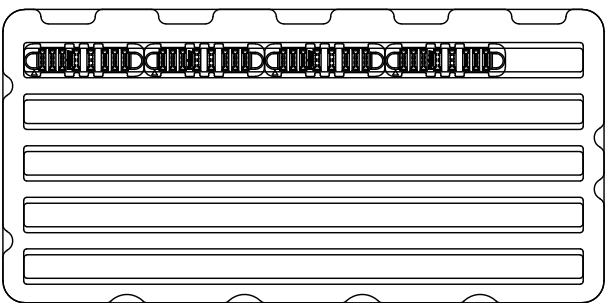


20Pcs/Tray

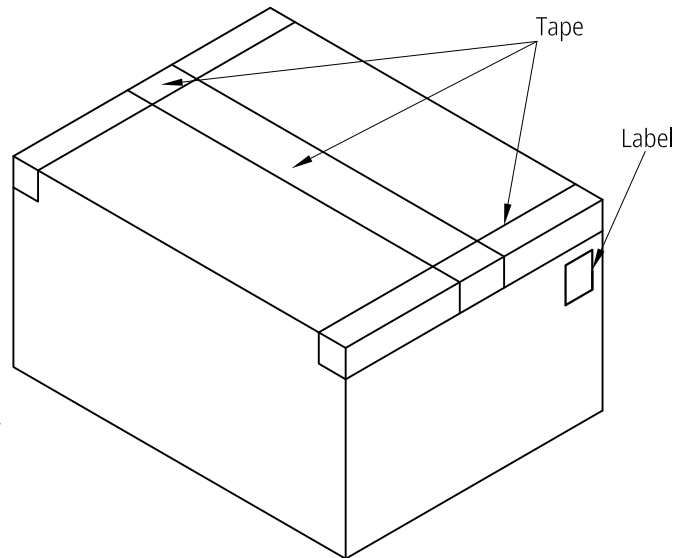


Total: 2x5 Layers

- Notes:
1. Q'ty: 20Pcs/Tray, 2x5 Layers=200Pcs/Carton.
  2. Tray Pallet size: 332\*162mm.
  3. Carton size: 350\*350\*155mm.



PE Film



THIS DRAWING AND SPECIFICATION ARE THE PROPERTY OF Prolanv AND SHALL NOT BE COPIED OR USED WITHOUT Prolanv PERMISSION	GENERAL TOLERANCES UNLESS SPECIFIED		PART NO.		<h1 style="margin: 0;">Prolanv®</h1>		
	X± 0.30	X°± 3°	PDC1810F0002				
	XX± 0.20	.X°± 2°	APPROVED BY		TITLE		
	XXX± 0.05	.XX°± 1°	Kysin		EN60A series   Power Female. 6PW+12S, Straight Type, Packaging		
	CUSTOMER DRAWING		CHECKED BY		DWG NO.		
			Harry		P-PDC18-02		
SIZE	UNITS	DRAWN BY			SHEET	SCALE	REV
A4	mm[only]	Lucie			2 / 2	N/A	A1

1 2 3 4 5 6 7 8