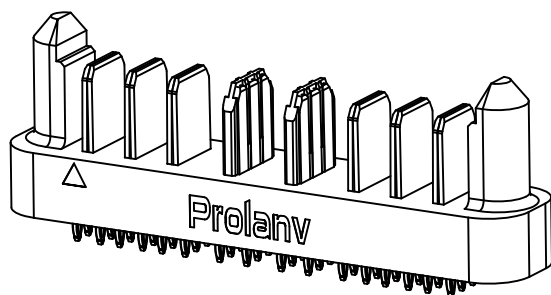
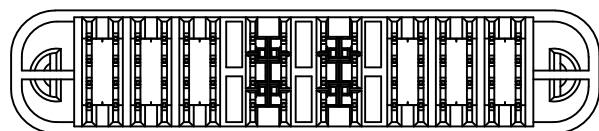
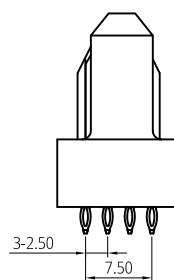
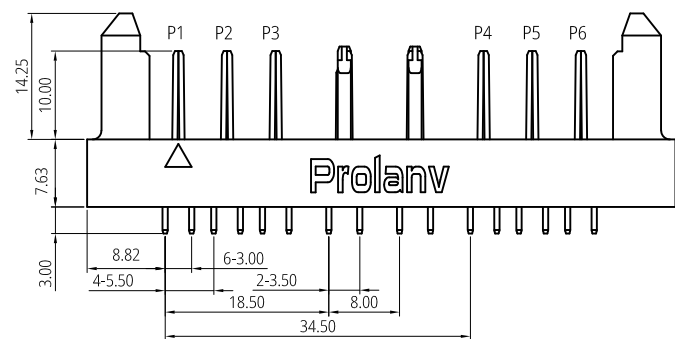
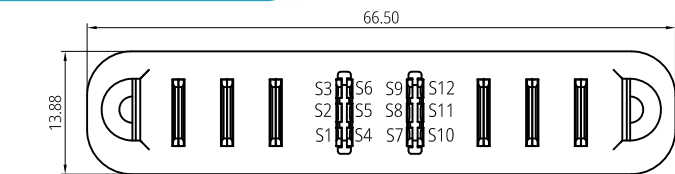
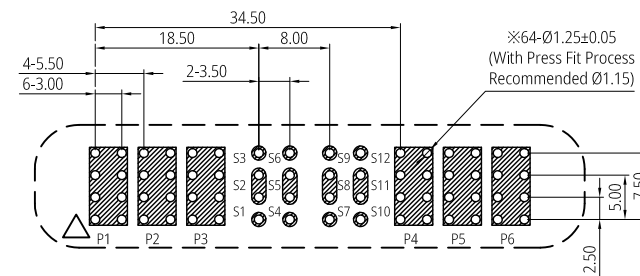


**P**atented product  
**专 利 产 品**



3D View



Recommended P.C.B layout (Top View)

Tolerance ±0.05

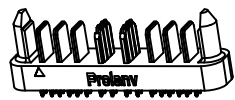
Notes:

- Material Specification
  - Housing: High Temperature Thermoplastic. UL94 V-0, Black.
  - Contact: High Conductivity Copper Alloy.
- Plating Specification:
  - Contact: Gold plating on Contact area, matte Tin 80µ" min. on Tails and 50µ" min. Nickel overall.
- Electrical performance
  - Voltage Rating: 250v DC/Power Pin, 120v DC/Signal Pin.
  - Current Rating: 60A/per Power Blade, 3A/Signal Pin.
  - LLCR: initial 0.6mΩ max., finished 1.0mΩ maximum change (per Power Blade) initial 10mΩ max., finished 20mΩ max.(per Signal Pin)
  - Dielectric Withstanding Voltage:
    - 1500v DC rms/Power Blade; 500v DC rms/Signal Pin,
  - Insulation Resistance:
    - 5000 MΩ min/power blade; 500 MΩ min/signal pin;
- Mechanical Performance:
  - Insertion force: 120N (12.2 kgf) (max.)
  - Withdrawal force: 9.8N~98N (1.0~10.0 kgf).
  - Durability life: 10,000 cycles (max.)
- IR Reflow:
  - The peak temperature on board shall be maintained for 10 seconds at 260±5°C.
- Operating Temperature Range: -40~125°C(without loss function).
- All parts RoHS and Reach compliant.
- ※ See SPS-PDC-06 for Terminal details.

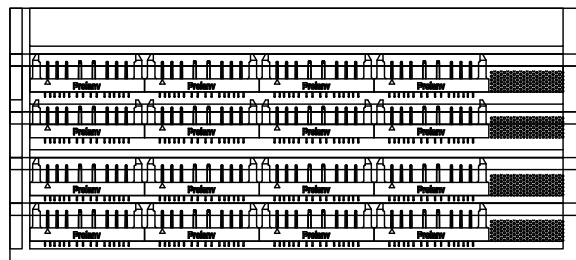
THIS DRAWING AND SPECIFICATION ARE THE PROPERTY OF Prolanv AND SHALL NOT BE COPIED OR USED WITHOUT Prolanv PERMISSION

GENERAL TOLERANCES UNLESS SPECIFIED		PART NO.	<b>Prolanv®</b>			
X± 0.30	X°± 3°	PDC1720F0001				
XX± 0.20	.X°± 2°	APPROVED BY	TITLE			
XXX± 0.05	.XX°± 1°	Kysin	EN60A series   Power Male. 6PW+12S, Straight Type			
CUSTOMER DRAWING		CHECKED BY	DWG NO.			
		Harry	PDC17-20			
SIZE	UNITS	DRAWN BY		SHEET	SCALE	REV
A4	mm[only]	Lucie		1 / 2	1:1	B0

1 2 3 4 5 6 7 8



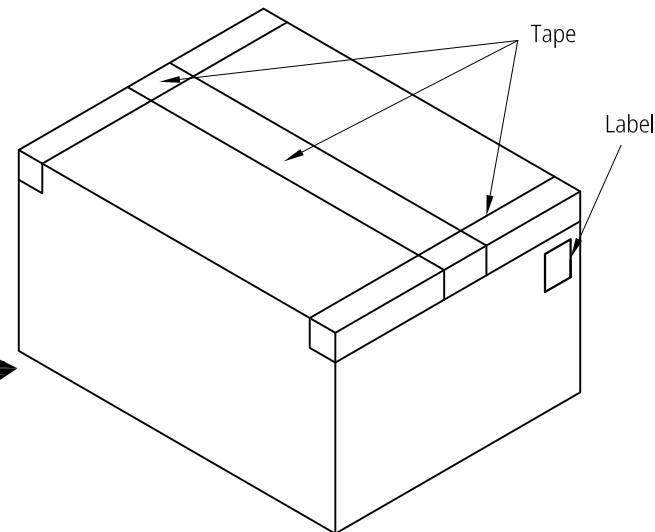
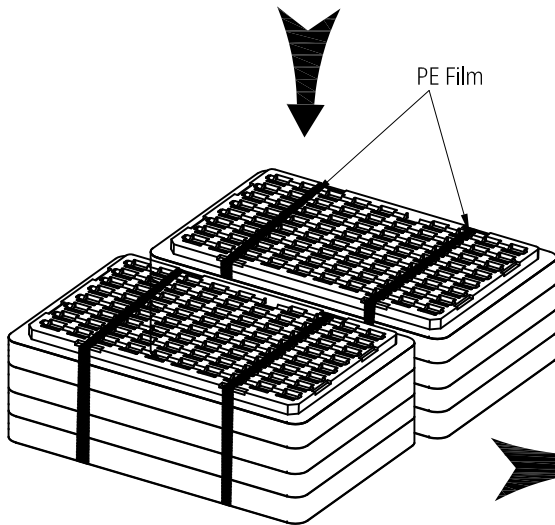
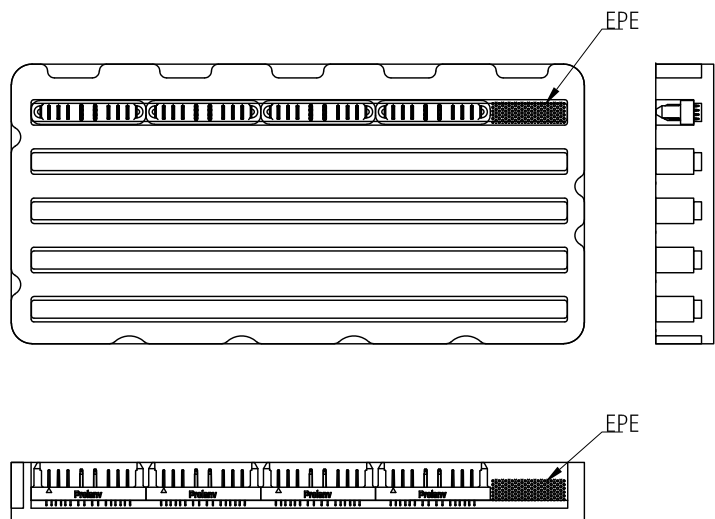
20Pcs/Tray



Total: 2x4 Layers

Notes:

- 1. Q'ty: 20Pcs/Tray, 2x4 Layers=160 Pcs/Carton.
- 2. Tray Pallet size: 332\*162mm.
- 3. Carton size: 350\*350\*155mm.



THIS DRAWING AND SPECIFICATION ARE THE PROPERTY OF Prolanv AND SHALL NOT BE COPIED OR USED WITHOUT Prolanv PERMISSION	GENERAL TOLERANCES UNLESS SPECIFIED		PART NO.	<h1 style="margin: 0;">Prolanv®</h1>		
	X ± 0.30	X° ± 3°	PDC1720F0001			
	XX ± 0.20	XX° ± 2°	APPROVED BY	TITLE EN60A series   Power Male. 6PW+12S, Straight Type, Packaging		
	XXX ± 0.05	XXX° ± 1°	Kysin			
	CUSTOMER DRAWING		CHECKED BY	DWG NO. P-PDC17-20		
	SIZE		Harry			
A4	UNITS	DRAWN BY	SHEET   SCALE   REV 2 / 2   N/A   A1			
	mm[only]	Lucie				

1 2 3 4 5 6 7 8