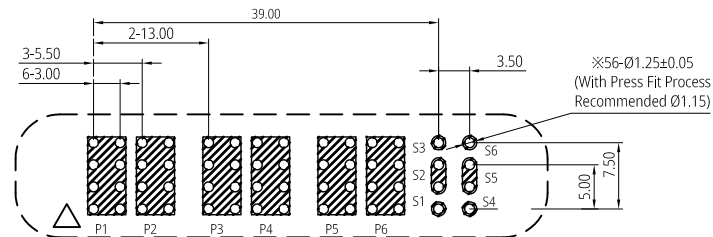
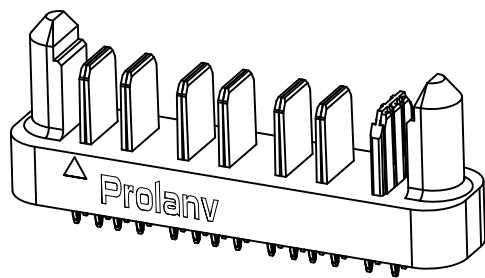
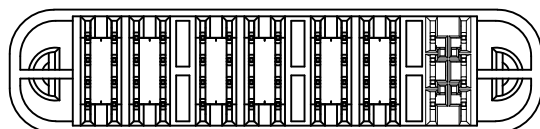
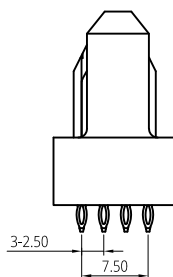
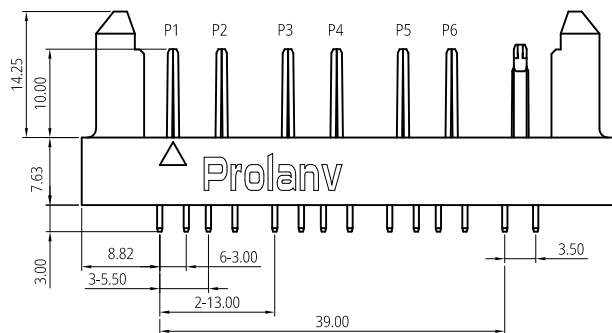
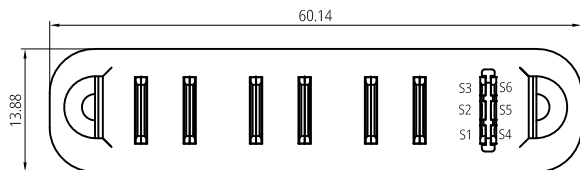


Patented product
专利产品



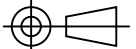
(With Solder Process)
 Recommended P.C.B layout (Top View)

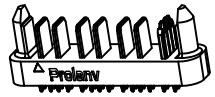
Tolerance \pm 0.05

Notes:

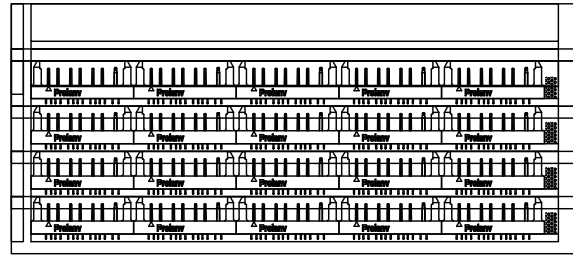
- Material Specification
 - Housing: High Temperature Thermoplastic. UL94 V-0, Black.
 - Contact: High Conductivity Copper Alloy.
- Plating Specification:
 - Contact: Gold plating on Contact area, matte Tin 80μ " min. on Tails and 50μ " min. Nickel overall.
- Electrical performance
 - Voltage Rating: 250v DC/Power Pin, 120v DC/Signal Pin.
 - Current Rating: 60A/per Power Blade, 3A/Signal Pin.
 - LLCR: initial $0.6m\Omega$ max., finished $1.0m\Omega$ maximum change (per Power Blade). initial $10m\Omega$ max., finished $20m\Omega$ max.(per Signal Pin)
 - Dielectric Withstanding Voltage:
 - 1500v DC rms/Power Blade; 500v DC rms/Signal Pin,
 - Insulation Resistance:
 - 5000 M Ω min/power blade; 500 M Ω min/signal pin;
- Mechanical Performance:
 - Insertion force: 120N (12.2 kgf) (max.)
 - Withdrawal force: 9.8N-98N (1.0-10.0 kgf).
 - Durability life: 10,000 cycles (max.)
- IR Reflow:
 - The peak temperature on board shall be maintained for 10 seconds at $260\pm 5^\circ$ c.
- Operating Temperature Range: $-40\sim 125^\circ$ c(without loss function).
- All parts RoHS and Reach compliant.
- ※ See SPS-PDC-06 for Terminal details.

THIS DRAWING AND SPECIFICATION ARE THE PROPERTY OF Prolanv AND SHALL NOT BE COPIED OR USED WITHOUT Prolanv PERMISSION

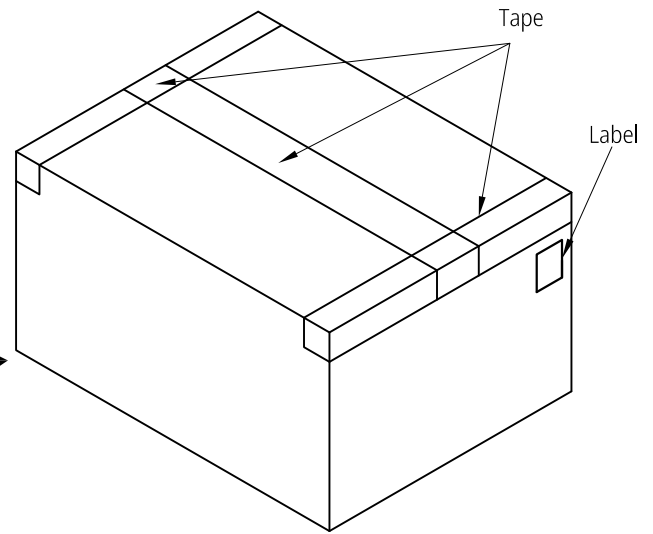
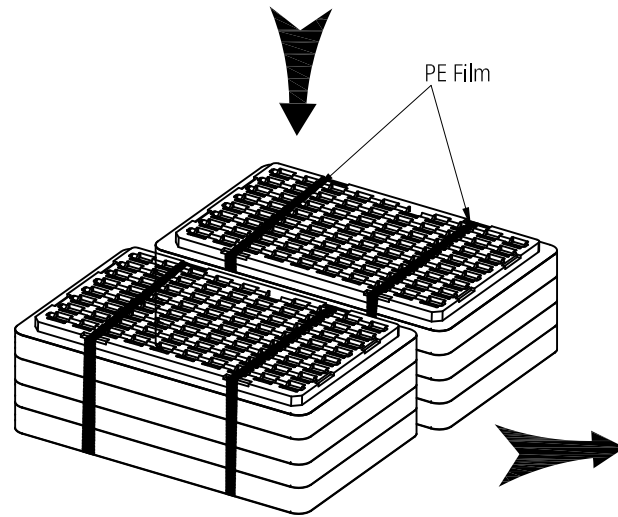
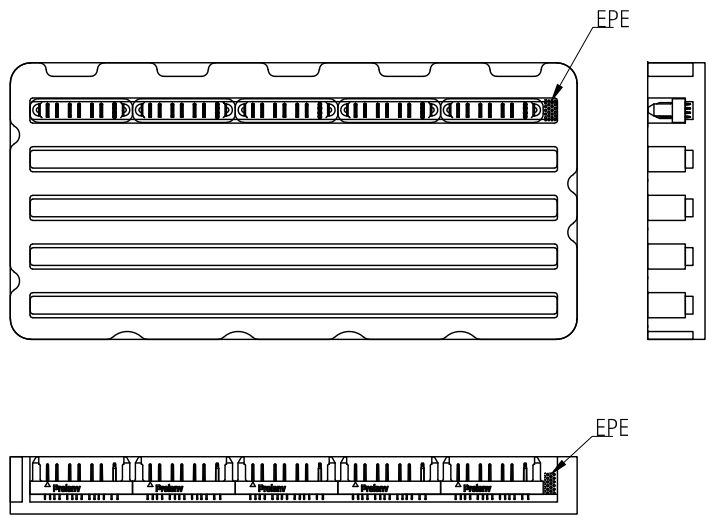
GENERAL TOLERANCES UNLESS SPECIFIED		PART NO.	Prolanv [®]			
X \pm 0.30	X. $^\circ$ \pm 3 $^\circ$	PDC0320F0001				
XX \pm 0.20	.X. $^\circ$ \pm 2 $^\circ$	APPROVED BY	TITLE			
XXX \pm 0.05	.XX. $^\circ$ \pm 1 $^\circ$	Kysin	EN60A series Power Male. 6PW+6S, Straight Type			
CUSTOMER DRAWING		CHECKED BY	DWG NO.			
		Harry	PDC03-20			
SIZE	UNITS	DRAWN BY		SHEET	SCALE	REV
A4	mm[only]	Lucie		1 / 2	1:1	B0



25 Pcs/Tray



Total: 2x4 Layers



- Notes:
1. Q'ty: 25Pcs/Tray, 2x4Layers=200 Pcs/Carton.
 2. Tray Pallet size: 332*162mm.
 3. Carton size: 350*350*155mm.

THIS DRAWING AND SPECIFICATION ARE THE PROPERTY OF Prolanv AND SHALL NOT BE COPIED OR USED WITHOUT Prolanv PERMISSION

GENERAL TOLERANCES UNLESS SPECIFIED	
X ± 0.30	X° ± 3°
XX ± 0.20	.X° ± 2°
XXX ± 0.05	.XX° ± 1°
CUSTOMER DRAWING	
SIZE	UNITS
A4	mm[only]

PART NO.	PDC0320F0001
APPROVED BY	Kysin
CHECKED BY	Harry
DRAWN BY	Lucie

Prolanv®

TITLE EN60A series | Power Male.
6PW+6S, Straight Type. Packaging

DWG NO. P-PDC03-20

	SHEET	SCALE	REV
	2 / 2	N/A	A1