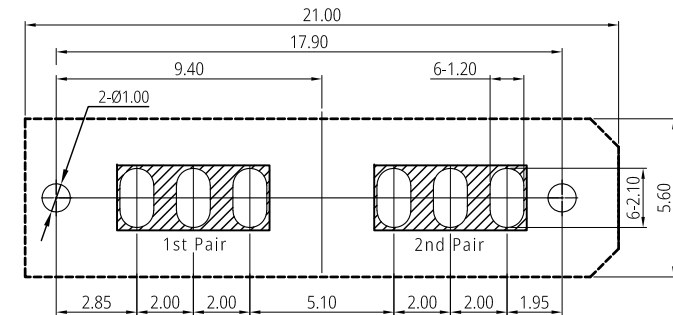
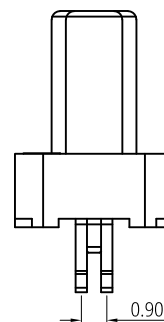
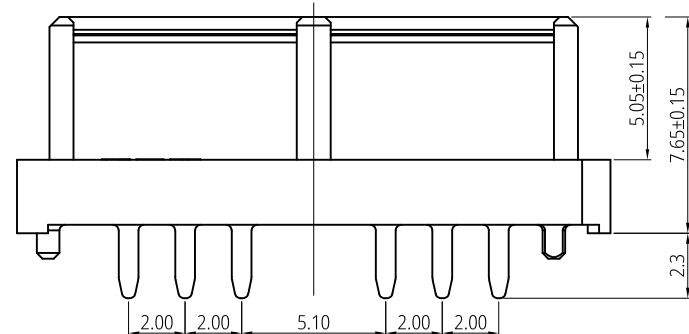
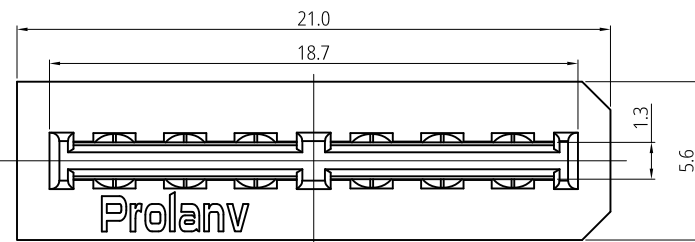


3D View



Recommended P.C.B layout (Top View)  
Tolerance  $\pm 0.05$



Notes:

1. Material Specification
  - 1-1.Housing: High Temperature Thermoplastic. UL94 V-0, Black.
  - 1-2.Contact: High Conductivity Copper Alloy.
2. Plating Specification:
  - 2-1.Contact: Gold plating on Contact area, matte Tin 80µ" min. on Tails, and 50µ" min, Nickel overall.
3. Electrical performance
  - 3-1.Voltage Rating: 50v DC/Power Pin.
  - 3-2.Current Rating: 40A/Per Power Pin.
  - 3-3.LLCR: initial 0.5mΩ max., finished 1.0mΩ maximum change.( Power Pin ).
  - 3-4.Dielectric Withstanding Voltage: 500v DC rms/Power Pin.
  - 3-5.Insulation Resistance: 500 MΩ min at 500v DC.
4. Mechanical Performance:
  - 4-1.Insertion force: 35N (3.6kgf) (max.)
  - 4-2.Withdrawal force: 4.9N~35N (0.5~3.6 kgf).
  - 4-3.Durability life: 5,000 cycles (max.)
5. IR Reflow:
 

The peak temperature on board shall be maintained for 10 seconds at 260±5°c.
6. Operating Temperature Range: -35~105°c(without loss function).
7. All parts RoHS and Reach compliant.

THIS DRAWING AND SPECIFICATION ARE THE PROPERTY OF Prolanv AND SHALL NOT BE COPIED OR USED WITHOUT Prolanv PERMISSION	GENERAL TOLERANCES UNLESS SPECIFIED		PART NO.		<b>Prolanv</b> <sup>®</sup>			
	X± 0.30	X°± 3°	PDC1110B0005					
	XX± 0.20	.X°± 2°	APPROVED BY	Mike	TITLE	Mini Hi-Current Power Male. 40A,H7.65mm, 2PW. Straight Type		
	XXX± 0.05	.XX°± 1°	CHECKED BY	Harry	DWG NO.	PDC11-10		
	SIZE	UNITS	DRAWN BY	Poplar		SHEET	SCALE	REV
	A4	mm[only]				1 / 2	1:1	C2

1 2 3 4 5 6 7 8

F

F

E

E

D

D

C

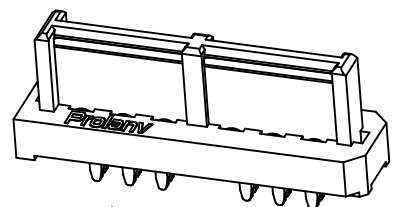
C

B

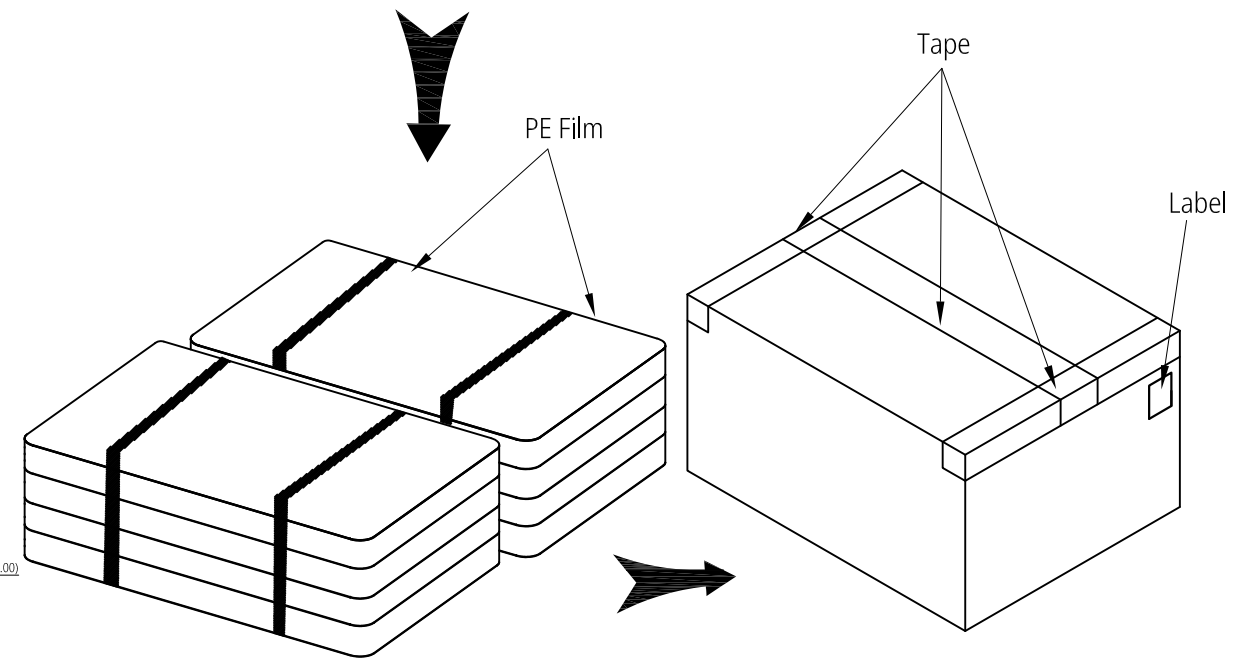
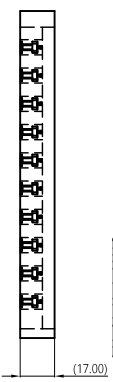
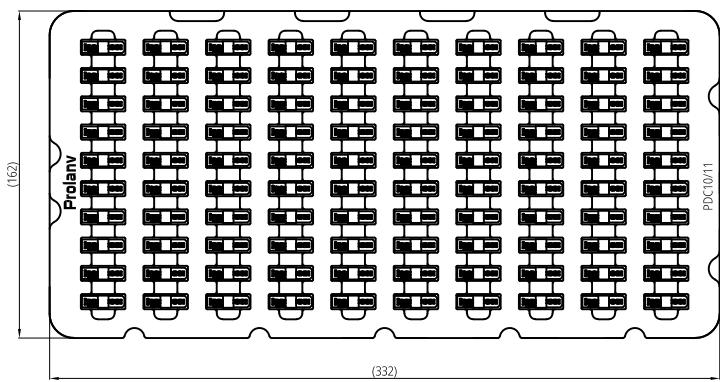
B

A

A



100 Pcs/Tray



- Notes:
1. Q'ty: 100 Pcs/Tray, 2X10 Layers=2,000 Pcs/Carton.
  2. Tray Pallet size: 332\*162\*17mm.
  3. Carton size: 350\*350\*155mm.

THIS DRAWING AND SPECIFICATION ARE THE PROPERTY OF Prolanv AND SHALL NOT BE COPIED OR USED WITHOUT Prolanv PERMISSION	GENERAL TOLERANCES UNLESS SPECIFIED		PART NO.		<b>Prolanv</b> <sup>®</sup>		
	X ± 0.30	X° ± 3°	PDC1110B0005				
	XX ± 0.20	X° ± 2°	APPROVED BY		TITLE		
	XXX ± 0.05	XX° ± 1°	Mike		Mini Hi-Current Power Male. 40A, H7.65mm, 2PW. Packaging		
	CUSTOMER DRAWING		CHECKED BY		DWG NO.		
SIZE		DRAWN BY		P- PDC11-11			
A4	mm[only]	Poplar			SHEET	SCALE	REV
					2 / 2	N/A	C2

1 2 3 4 5 6 7 8