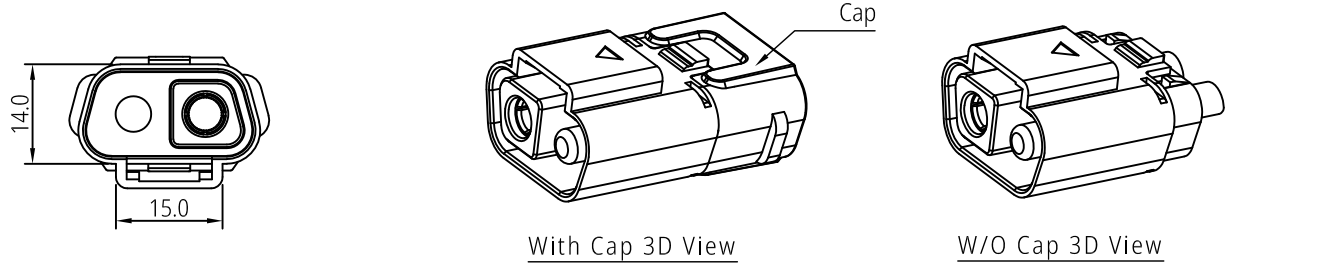


Patented product
专利产品

抑制涌流 Inhibit inrush current | 防火花 Anti Spark



Item	P/N	Description
1	PAT0210BT001	AT80 Power Conn. without Cap
2	PAT0210BT002	AT80 Power Conn. with Cap

Notes:

1. Material Specification

- 1-1. Housing: High Temperature Thermoplastic. UL94 V-0.
- 1-2. Contact: High Conductivity Copper Alloy.
- 1-3. Screw & Nut: Copper Alloy.

2. Plating Specification: Contact: Gold plating overall.

3. Electrical performance

- 3-1. Voltage Rating: 200V DC max.
- 3-2. Current Rating: 80A/Per Pin max.
- 3-3. LLCR: 0.80mΩ max (initial); 1.80mΩ max (final).
- 3-4. Dielectric Withstanding Voltage: 1500v DC rms/Power Pin.

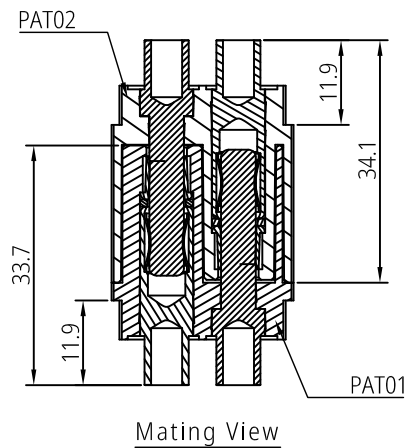
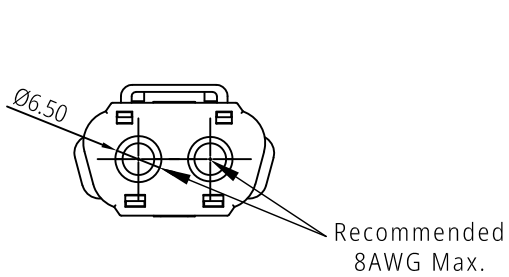
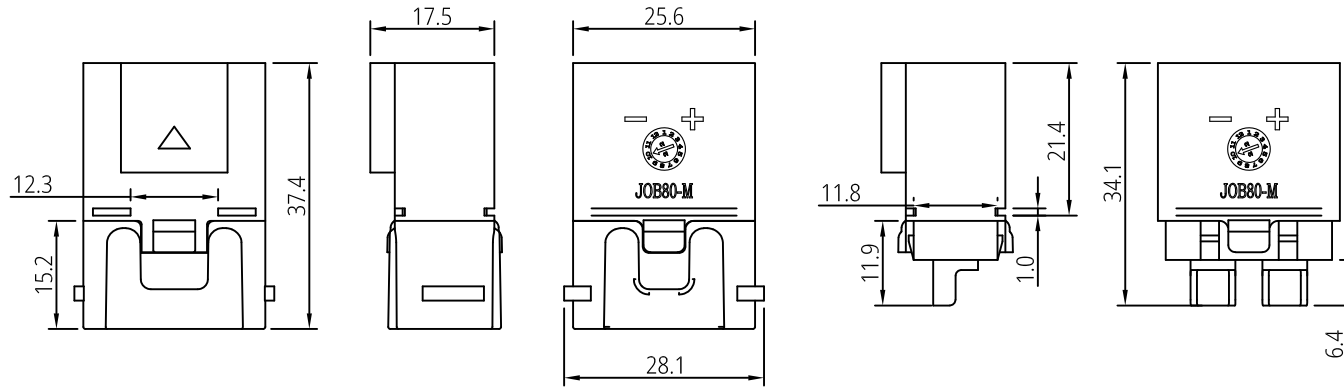
- 3-5. Insulation Resistance: 5000 MΩ min/Power Pin.

4. Mechanical Performance:

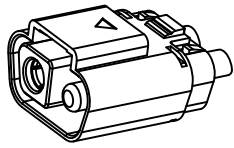
- 4-1. Insertion force: 24.5N (2.5kgf) max @ per pair.
- 4-2. Withdrawal force: 6N (0.6kgf) min @ per pair.
- 4-3. Durability life: 2,000 cycles max.

5. Operating Temperature Range: -25~+125°C.

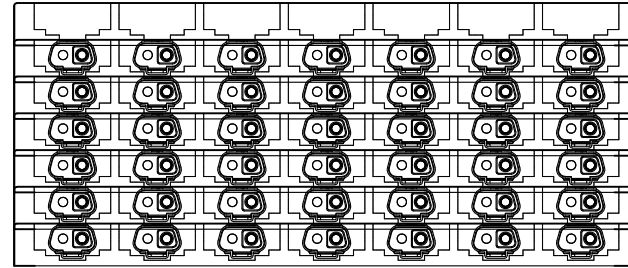
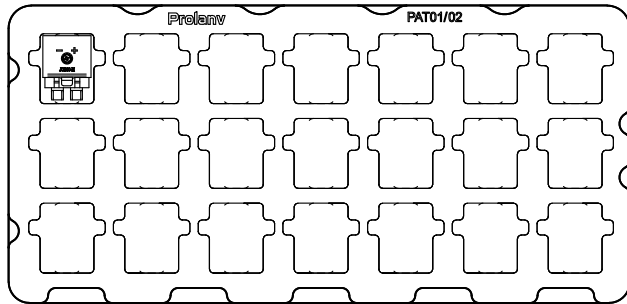
6. All parts RoHS and Reach compliant.



THIS DRAWING AND SPECIFICATION ARE THE PROPERTY OF Prolanv AND SHALL NOT BE COPIED OR USED WITHOUT Prolanv PERMISSION	GENERAL TOLERANCES UNLESS SPECIFIED		PART NO.		Prolanv [®]	
	X± 0.30	X.°± 3°	PAT0210BT00X			
	XX± 0.20	.X.°± 2°	APPROVED BY	TITLE		
	XXX± 0.05	.XX.°± 1°	Mike	AT80 Power Connector Wire-Harness Type.		
	CUSTOMER DRAWING		CHECKED BY	DWG NO.		
			Henry	PAT02-10		
SIZE	UNITS	DRAWN BY		SHEET	SCALE	REV
A4	mm[only]	Poplar		1 / 3	1:1	A2



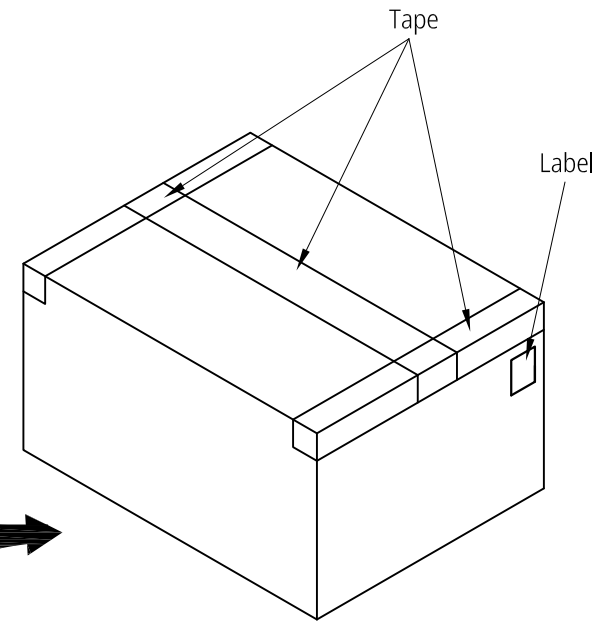
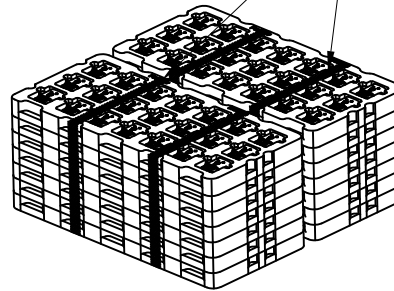
21 Pcs/Tray



Total: 2x7 Layers



PE Film



Notes:

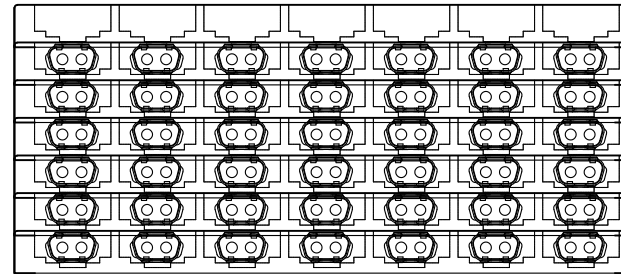
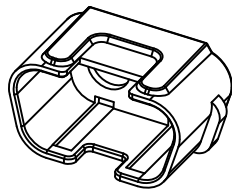
1. Q'ty: 21 Pcs/Tray, 2x6 Layers=252 Pcs/Carton.
2. Tray Pallet size: 330*158*22.5mm.
3. Carton size: 350*350*155mm.

THIS DRAWING AND SPECIFICATION ARE THE PROPERTY OF Prolanv AND SHALL NOT BE COPIED OR USED WITHOUT Prolanv PERMISSION

GENERAL TOLERANCES UNLESS SPECIFIED		PART NO.	Prolanv [®]			
X ± 0.30	X° ± 3°	PAT0210BT001				
XX ± 0.20	XX° ± 2°	APPROVED BY	TITLE			
XXX ± 0.05	XXX° ± 1°	Mike	AT80 Power Connector Wire-Harness Type Packaging			
CUSTOMER DRAWING		CHECKED BY	DWG NO.			
		Henry	P-PAT02-10			
SIZE	UNITS	DRAWN BY		SHEET	SCALE	REV
A4	mm[only]	Poplar		2 / 3	N/A	A0

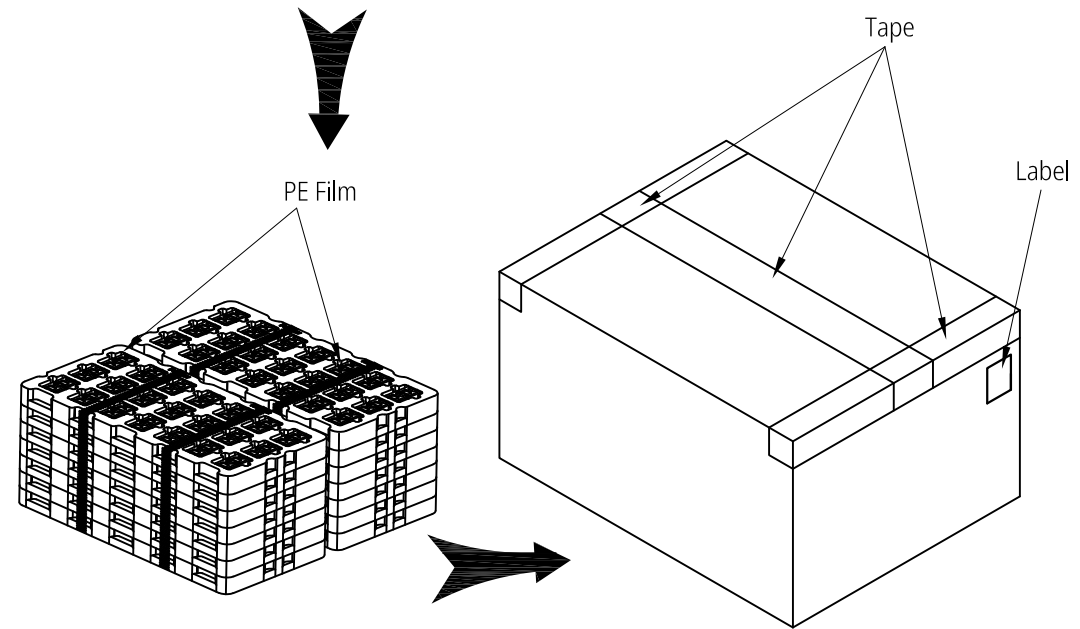
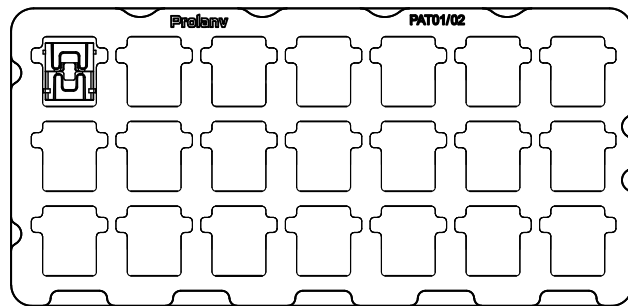
1 2 3 4 5 6 7 8

F
E
D
C
B
A



Total: 2x7 Layers

42 Pcs/Tray



Notes:

1. Q'ty: 42 Pcs/Tray, 2x6 Layers=504 Pcs/Carton.
2. Tray Pallet size: 330*160*22.5mm.
3. Carton size: 350*350*155mm.

THIS DRAWING AND SPECIFICATION ARE THE PROPERTY OF Prolanv AND SHALL NOT BE COPIED OR USED WITHOUT Prolanv PERMISSION	GENERAL TOLERANCES UNLESS SPECIFIED		PART NO.		Prolanv [®]		
	X ± 0.30	X° ± 3°	PAT 0 2 - 2 0 3				
	XX ± 0.20	XX° ± 2°	APPROVED BY		TITLE		
	XXX ± 0.05	XXX° ± 1°	Mike		AT80 series Power Connector' Cap		
	CUSTOMER DRAWING		CHECKED BY		DWG NO.		
			Henry		P-PAT02-03		
SIZE	UNITS	DRAWN BY			SHEET	SCALE	REV
A4	mm[only]	Poplar					

1 2 3 4 5 6 7 8