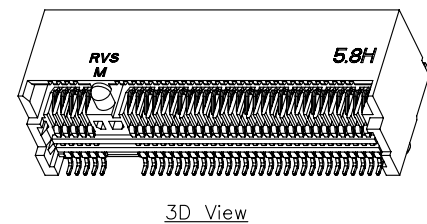
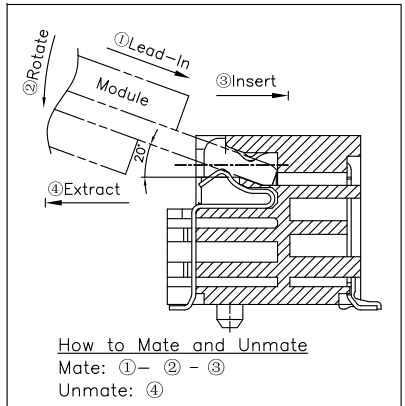
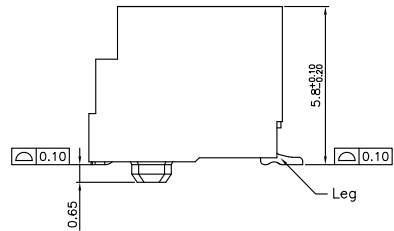
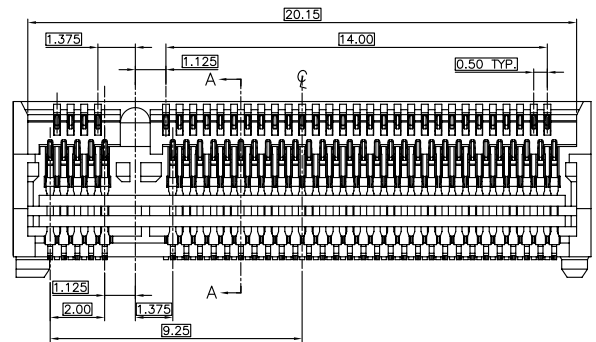


- Notes:
- Material Specification:
 - Housing: LCP+30% G.F UL94 V=0.
 - Contact: Copper Alloy (C5210) T=0.15mm.
 - Leg: Copper Alloy (C2680) T=0.20mm.
 - Plating Specification:
 - Contact: see P/N.
 - Leg: Matte Tin 50μ" min. overall, Nickel 50μ" min. underplated.
 - Mechanical Performance:
 - Insertion force: 20N max.
 - Withdrawal force: 20N max.
 - Durability: 60 cycles min.
 - Vibration:
 - No electrical discontinuity greater than 1u second. shall occur;
 - Mechanical shock: 285G half sine/6 axis. no electrical discontinuity greater than 1u second shall occur;
 - Electrical Performance:
 - Current Rating: 0.5A (per pin).
 - Voltage Rating: 50V AC (per pin).
 - LLCR: Contact 55mΩ max.(initial), 20mΩ max. change allowed (final).
 - Insulation Resistance: 5,000MΩ min. at 500V DC.
 - Dielectric withstand voltage: 300V AC/60s.
 - IR Reflow:

The peak temperature on board shall be maintained for 10 seconds at 260±5°C.
 - Operating temperature range: -40°C~85°C(without loss function).
 - All parts RoHS and Reach compliant.



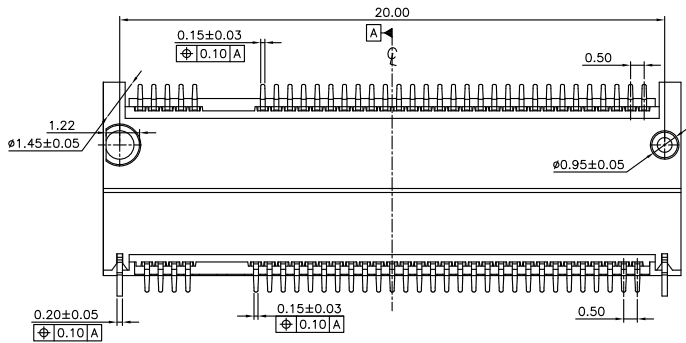
Part Number: PHN26101M00X

Contact Plating Spec. Code:

7: Gold Flash on Contact area, matte Tin 80μ" min. on Tails and 50μ" min. Nickel overall.

9: Au 5μ" on Contact area, matte Tin 80μ" min. on Tails and 50μ" min. Nickel overall.

A: Au 10μ" on Contact area, matte Tin 80μ" min. on Tails and 50μ" min. Nickel overall.



THIS DRAWING AND SPECIFICATION ARE THE PROPERTY OF Prolanv AND SHALL NOT BE COPIED OR USED WITHOUT PERMISSION	GENERAL TOLERANCES UNLESS SPECIFIED		PART NO.		<h1>Prolanv®</h1>
	.X ± 0.30 X° ± 3°		PHN26101M00X		
	.XX ± 0.20 X° ± 2°		APPROVED BY		TITLE NGFF 67Pin Socket (M.2 connector) 0.50mm Pitch, Top-Mount 5.8H, RVS. M-Key. Dual-STM Type
	.XXX ± 0.10 .XX° ± 1°		KYSIN		
CUSTOMER DRAWING		CHECKED BY		DWG NO.	
		HARRY		PHN26-10M	
SIZE	UNITS	DRAWN BY			SHEET
A4	mm[inch]	LUCIE			
				REV	
				A2	

1 2 3 4 5 6 7 8

F

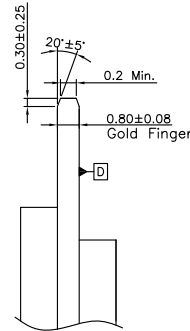
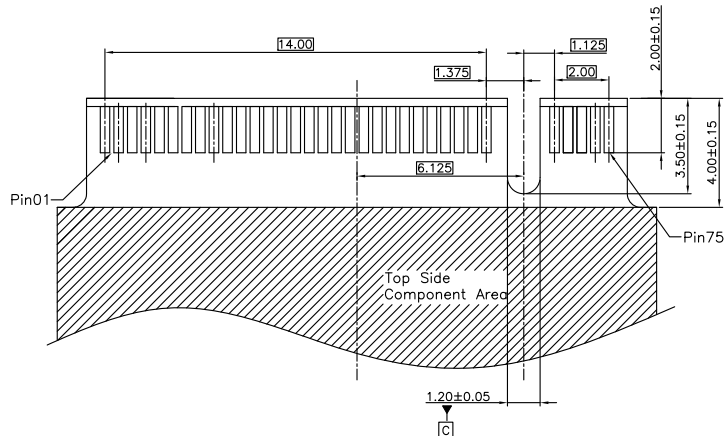
E

D

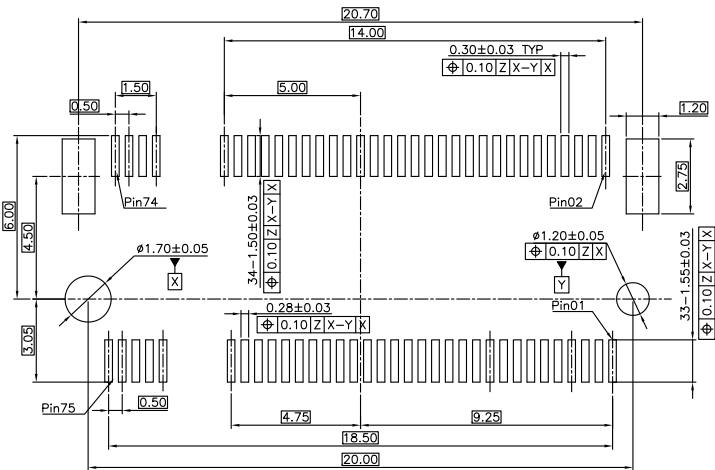
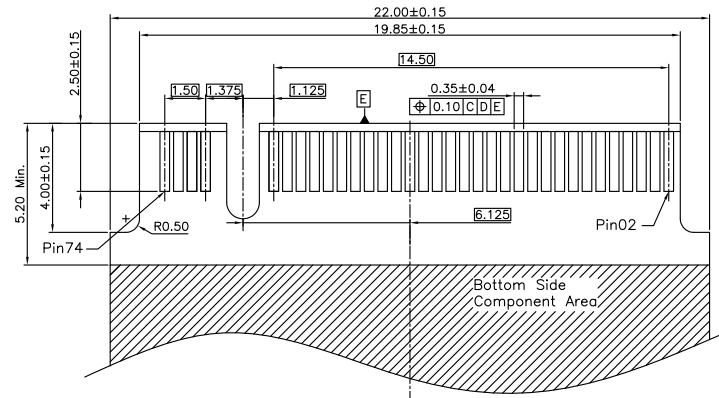
C

B

A



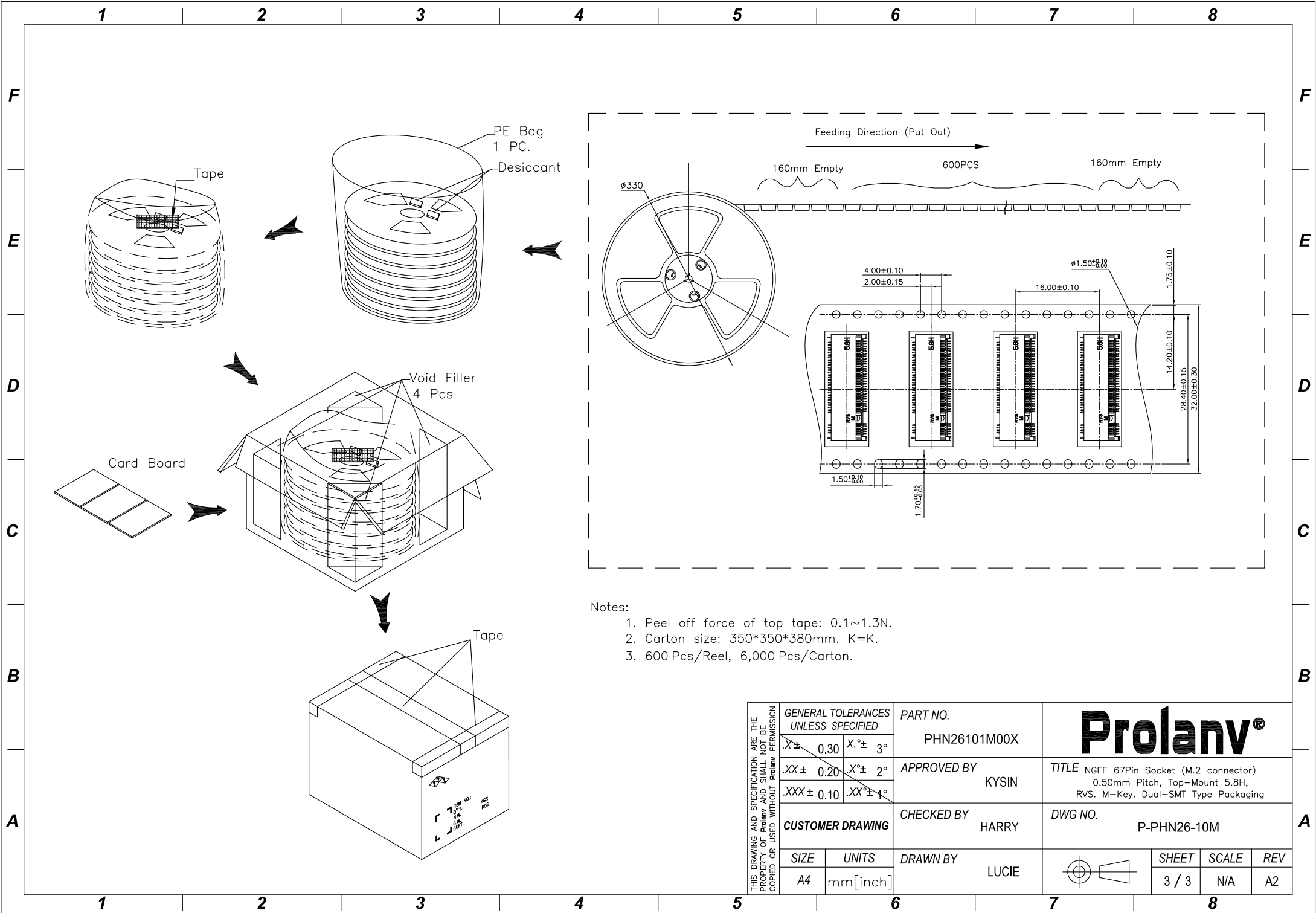
Recommended Mould Finger Layout
Default Tolerance ±0.05



Recommended PCB Layout (Top View)
Default Tolerance ±0.05

THIS DRAWING AND SPECIFICATION ARE THE PROPERTY OF Prolanv AND SHALL NOT BE COPIED OR USED WITHOUT PERMISSION	GENERAL TOLERANCES UNLESS SPECIFIED		PART NO.		<h1>Prolanv®</h1>		
	.X± 0.30	X.°± 3°	PHN26101M00X				
	.XX± 0.20	.X°± 2°	APPROVED BY		TITLE NGFF 67Pin Socket (M.2 connector) 0.50mm Pitch, Top-Mount 5.8H, RVS. M-Key. Dual-SMT Type PCB-Layout		
	.XXX± 0.10	.XX°± 1°	KYSIN				
CUSTOMER DRAWING		CHECKED BY		DWG NO.			
		HARRY		PHN26-10M			
SIZE	UNITS	DRAWN BY			SHEET	SCALE	REV
A4	mm[inch]	LUCIE			2 / 3	N/A	A2

1 2 3 4 5 6 7 8



Notes:

1. Peel off force of top tape: 0.1~1.3N.
2. Carton size: 350*350*380mm. K=K.
3. 600 Pcs/Reel, 6,000 Pcs/Carton.

THIS DRAWING AND SPECIFICATION ARE THE PROPERTY OF Prolanv AND SHALL NOT BE COPIED OR USED WITHOUT PERMISSION	GENERAL TOLERANCES UNLESS SPECIFIED		PART NO.		<h1>Prolanv®</h1>		
	X ± 0.30	X° ± 3°	PHN2610M00X				
	.XX ± 0.20	.X° ± 2°	APPROVED BY		TITLE NGFF 67Pin Socket (M.2 connector) 0.50mm Pitch, Top-Mount 5.8H, RVS. M-Key. Dual-SMT Type Packaging		
	.XXX ± 0.10	.XX° ± 1°	KYSIN				
CUSTOMER DRAWING		CHECKED BY		DWG NO.			
		HARRY		P-PHN26-10M			
SIZE	UNITS	DRAWN BY			SHEET	SCALE	REV
A4	mm[inch]	LUCIE			3 / 3	N/A	A2