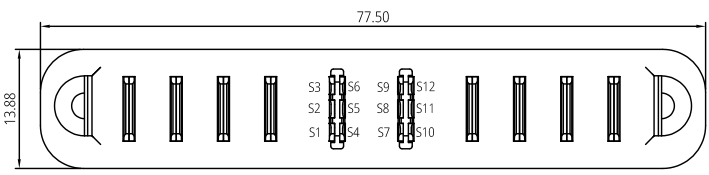
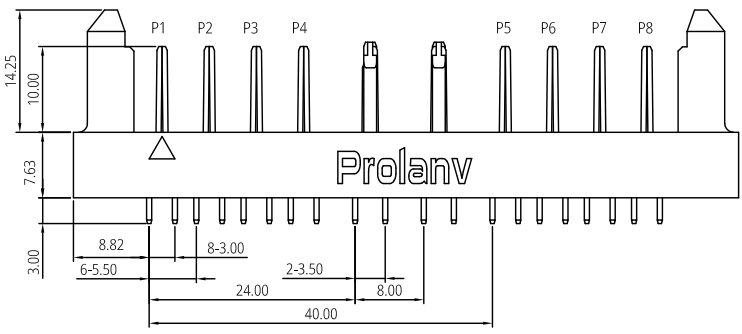


1 2 3 4 5 6 7 8

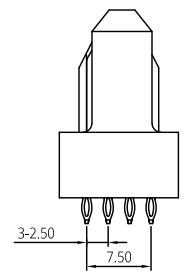
F



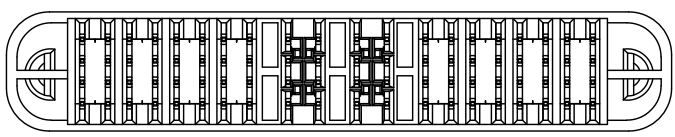
E



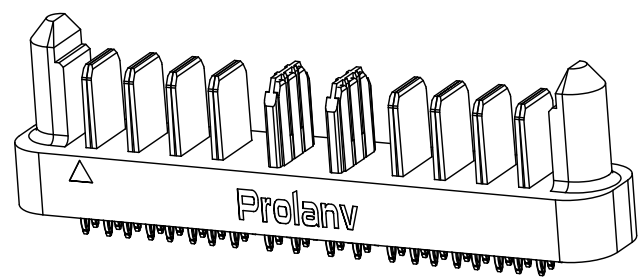
D



C

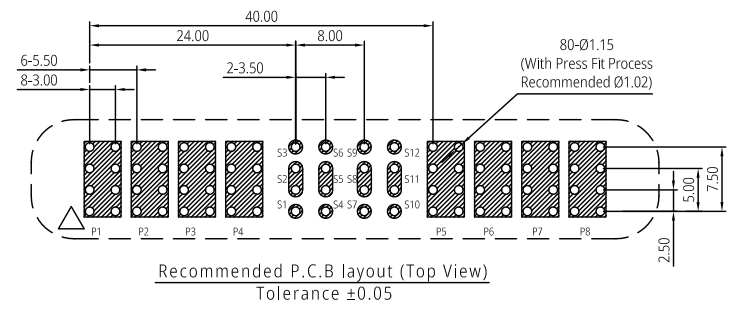


B



3D View

A



Notes:

1. Material Specification
 - 1-1.Housing: High Temperature Thermoplastic. UL94 V-0, Black.
 - 1-2.Contact: High Conductivity Copper Alloy.
2. Plating Specification:
 - 2-1.Contact: see P/N
3. Electrical performance
 - 3-1.Voltage Rating: 250v DC/Power Pin, 120v DC/Signal Pin.
 - 3-2.Current Rating: 60A/per Power Blade, 3A/Signal Pin.
 - 3-3.LLCR: initial 0.6mΩ max., finished 1.0mΩ max.(per Power Blade)
initial 10mΩ max., finished 20mΩ max.(per Signal Pin)
 - 3-4.Dielectric Withstanding Voltage:
 - 1500v DC rms/Power Blade; 500v DC rms/Signal Pin,
 - 3-5.Insulation Resistance:
 - 5000 MΩ min/power blade; 500 MΩ min/signal pin;
4. Mechanical Performance:
 - 4-1.Insertion force: 245N (25.0 kgf) (max.)
 - 4-2.Withdrawal force: 9.8N~147N (1.0~15.0 kgf).
 - 4-3.Durability life: 10,000 cycles (max.)
5. IR Reflow:
 - The peak temperature on board shall be maintained for 10 seconds at 260±5°C.
6. Operating Temperature Range: -40~125°C(without loss function).
7. All parts RoHS and Reach compliant.

Part Number: PDC2710F0001

Contact Plating Spec. Code:

- A: Au 5μ" plating on Contact area, matte Tin 80μ" min. on Tails and 50μ" min. Nickel overall.
- C: Au 15μ" plating on Contact area, matte Tin 80μ" min. on Tails and 50μ" min. Nickel overall.
- F: Au 30μ" plating on Contact area, matte Tin 80μ" min. on Tails and 50μ" min. Nickel overall.

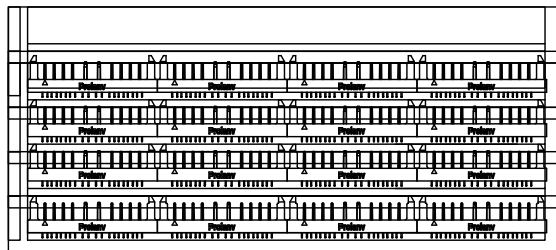
THIS DRAWING AND SPECIFICATION ARE THE PROPERTY OF Prolanv AND SHALL NOT BE COPIED OR USED WITHOUT Prolanv PERMISSION

GENERAL TOLERANCES UNLESS SPECIFIED		PART NO.		Prolanv®								
X ± 0.30	X.° ± 3°	PDC2710F0001										
.XX ± 0.20	.X° ± 2°	APPROVED BY		TITLE 60A/Per Pair Conn.Power Male. 8Pairs Power-Pin+2Pairs Signal-Pin Vert. Type								
.XXX ± 0.05	.XX° ± 1°	Kysin										
CUSTOMER DRAWING		CHECKED BY		DWG NO. PDC27-10								
		Harry										
SIZE	UNITS	DRAWN BY		<table border="1" style="display: inline-table; vertical-align: middle;"> <tr> <td>SHEET</td> <td>SCALE</td> <td>REV</td> </tr> <tr> <td>1 / 2</td> <td>1:1</td> <td>A2</td> </tr> </table>			SHEET	SCALE	REV	1 / 2	1:1	A2
SHEET	SCALE	REV										
1 / 2	1:1	A2										
A4	mm[only]	Lucie										

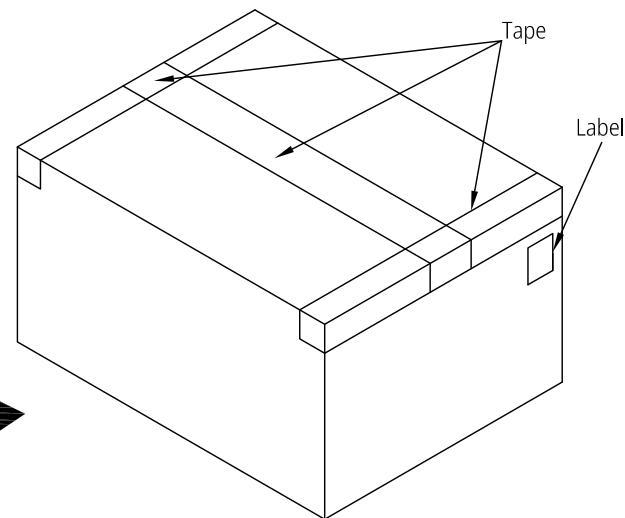
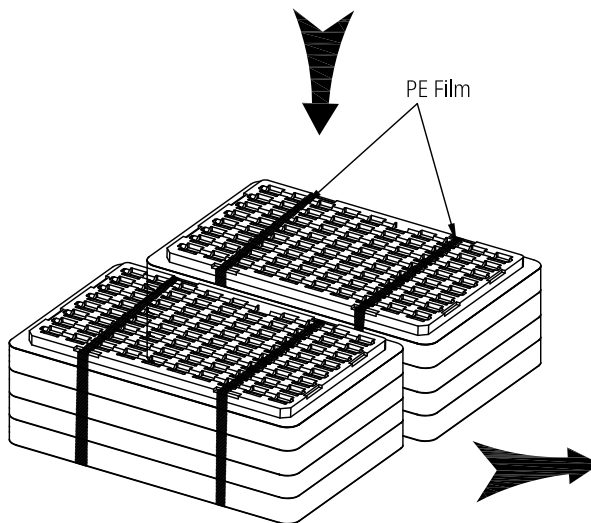
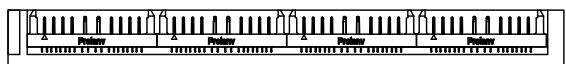
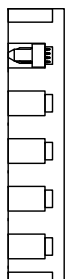
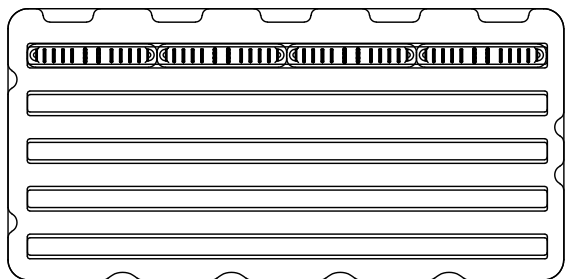
1 2 3 4 5 6 7 8



20 Pcs/Tray



Total: 2x4 Layers



Notes:

1. Q'ty: 20 Pcs/Tray, 2x4 Layers=160 Pcs/Carton.
2. Tray Pallet size: 332*162mm.
3. Carton size: 350*350*155mm.

THIS DRAWING AND SPECIFICATION ARE THE PROPERTY OF Prolanv AND SHALL NOT BE COPIED OR USED WITHOUT Prolanv PERMISSION	GENERAL TOLERANCES UNLESS SPECIFIED		PART NO.	<h1>Prolanv®</h1>	
	$X \pm 0.30$	$X^\circ \pm 3^\circ$	PDC2710F0001		
	$.XX \pm 0.20$	$X^\circ \pm 2^\circ$	APPROVED BY	TITLE	
	$.XXX \pm 0.05$	$.XX^\circ \pm 1^\circ$	Kysin	60A/Per Pair Conn.Power Male. 8Pairs Power-Pin+2Pairs Signal-Pin Packaging	
	CUSTOMER DRAWING	CHECKED BY	Harry	DWG NO.	
SIZE	UNITS	DRAWN BY	P-PDC27-10		
A4	mm[only]	Lucie			
			SHEET	SCALE	REV
			2 / 2	N/A	A2