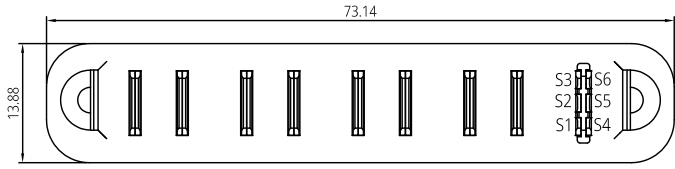
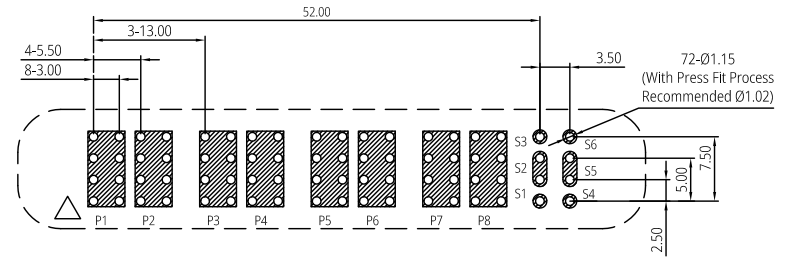
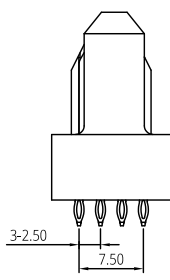
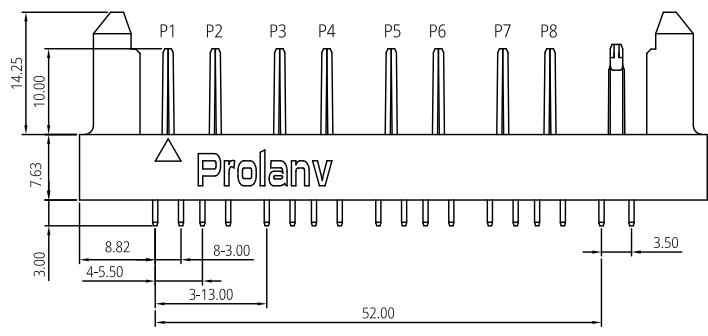


1 2 3 4 5 6 7 8

F



E

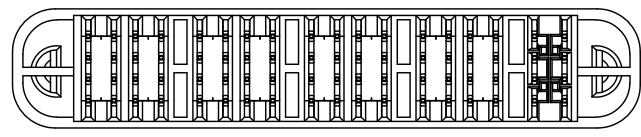


Recommended P.C.B layout (Top View)  
Tolerance ±0.05

D

- Notes:
- Material Specification
    - Housing: High Temperature Thermoplastic. UL94 V-0, Black.
    - Contact: High Conductivity Copper Alloy.
  - Plating Specification:
    - Contact: see P/N
  - Electrical performance
    - Voltage Rating: 250v DC/Power Pin, 120v DC/Signal Pin.
    - Current Rating: 60A/per Power Blade, 3A/Signal Pin.
    - LLCR: initial 0.6mΩ max., finished 1.0mΩ max.(per Power Blade )  
initial 10mΩ max., finished 20mΩ max.(per Signal Pin)
    - Dielectric Withstanding Voltage:  
1500v DC rms/Power Blade; 500v DC rms/Signal Pin,
    - Insulation Resistance:  
5000 MΩ min/power blade; 500 MΩ min/signal pin;
  - Mechanical Performance:
    - Insertion force: 120N (12.2 kgf) (max.)
    - Withdrawal force: 9.8N~98N (1.0~10.0 kgf).
    - Durability life: 10,000 cycles (max.)
  - IR Reflow:  
The peak temperature on board shall be maintained for 10 seconds at 260±5°C.
  - Operating Temperature Range: -40~125°C(without loss function).
  - All parts RoHS and Reach compliant.

C

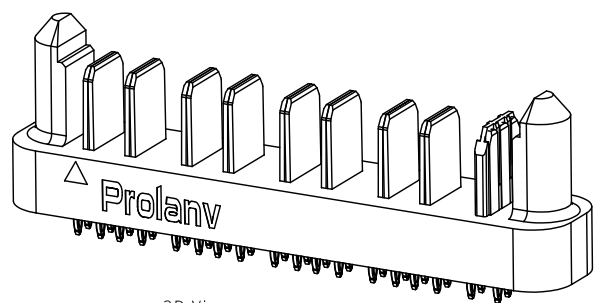


Part Number: PDC1920F0001

Contact Plating Spec. Code:

- A: Au 5μ" plating on Contact area, matte Tin 80μ" min. on Tails and 50μ" min. Nickel overall.
- C: Au 15μ" plating on Contact area, matte Tin 80μ" min. on Tails and 50μ" min. Nickel overall.
- F: Au 30μ" plating on Contact area, matte Tin 80μ" min. on Tails and 50μ" min. Nickel overall.

B



3D View

A

THIS DRAWING AND SPECIFICATION ARE THE PROPERTY OF Prolanv AND SHALL NOT BE COPIED OR USED WITHOUT Prolanv PERMISSION

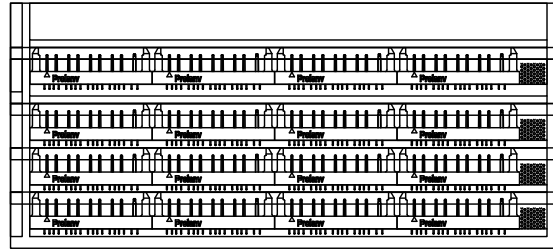
GENERAL TOLERANCES UNLESS SPECIFIED		PART NO.		<b>Prolanv®</b>			
.X ± 0.30	X.° ± 3°	PDC1920F0001					
.XX ± 0.20	.X.° ± 2°	APPROVED BY		TITLE			
.XXX ± 0.05	.XX.° ± 1°	Kysin		60A/Per Pair Conn.Power Male. 8Pairs Power-Pin+1Pair Signal-Pin Vert. Type			
CUSTOMER DRAWING		CHECKED BY		DWG NO.			
		Harry		PDC19-20			
SIZE	UNITS	DRAWN BY			SHEET	SCALE	REV
A4	mm[only]	Lucie			1 / 2	1:1	A1

1 2 3 4 5 6 7 8

1 2 3 4 5 6 7 8



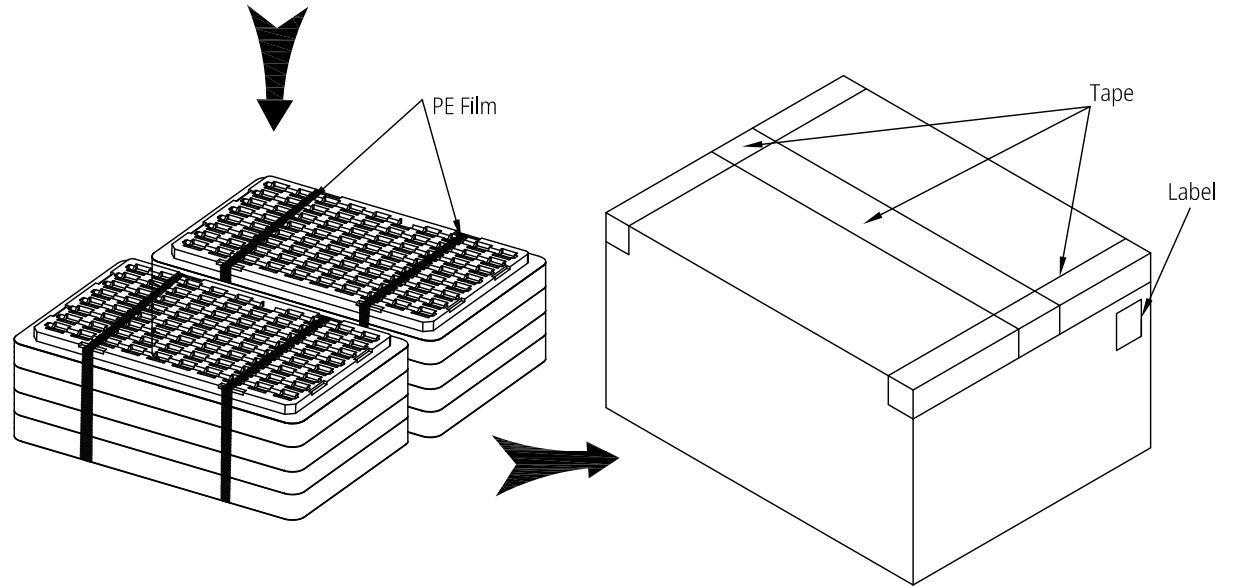
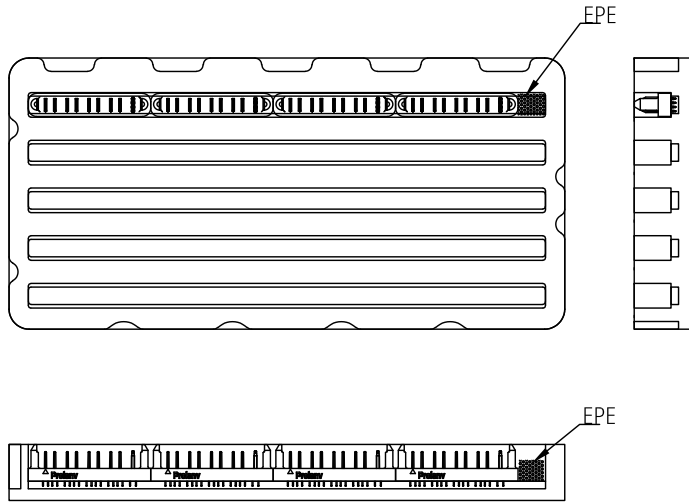
20Pcs/Tray



Total: 2x4 Layers

Notes:

1. Q'ty: 20Pcs/Tray, 2x4 Layers=160 Pcs/Carton.
2. Tray Pallet size: 332\*162mm.
3. Carton size: 350\*350\*155mm.



THIS DRAWING AND SPECIFICATION ARE THE PROPERTY OF Prolanv AND SHALL NOT BE COPIED OR USED WITHOUT Prolanv PERMISSION

GENERAL TOLERANCES UNLESS SPECIFIED		PART NO. PDC1920F0001	<b>Prolanv®</b>			
$.X \pm 0.30$	$X^\circ \pm 3^\circ$					
$.XX \pm 0.20$	$X^\circ \pm 2^\circ$	APPROVED BY Kysin	TITLE 60A/Per Pair Conn.Power Male. 8Pairs Power-Pin+1Pair Signal-Pin Packaging			
$.XXX \pm 0.05$	$.XX^\circ \pm 1^\circ$	CHECKED BY Harry	DWG NO. P-PDC19-20			
CUSTOMER DRAWING		DRAWN BY Lucie		SHEET	SCALE	REV
SIZE A4	UNITS mm[only]			2 / 2	N/A	A1

1 2 3 4 5 6 7 8