

Recommended P.C.B layout (Top View)
Tolerance ±0.05

Notes:

1. Material Specification
 - 1-1.Housing: High Temperature Thermoplastic, UL94 V-0, Black.
 - 1-2.Contact: High Conductivity Copper Alloy.
2. Plating Specification:
 - 2-1.Contact: Au30µ" plating on Contact area, matte Tin 80µ" min. on Tails, and 50µ" min, Nickel overall.
3. Electrical performance
 - 3-1.Voltage Rating: 600v DC/250v AC/Power Blade, 120v AC/DC/Signal Pin.
 - 3-2.Current Rating: 150A Max./per Power Blade, 7.5A Max./per Signal Pin.
 - 3-3.LLCR: initial 0.5mΩ max., finished 1.0mΩ max.(per Power Blade), initial 10mΩ max., finished 20mΩ max.(per Signal Pin).
 - 3-4.Dielectric Withstanding Voltage: 2000v DC rms/Power Blade, 500v DC rms/Signal Pin.
 - 3-5.Insulation Resistance: 5000 MΩ min/power blade.
4. Mechanical Performance:
 - 4-1.Insertion force: 39.2N (4.0kgf)/Per Pair max.
 - 4-2.Withdrawal force: 9.8N~34.3N (1.0~3.5kgf)/Per Pair.
 - 4-3.Durability life: 10,000 cycles max.
5. IR Reflow:

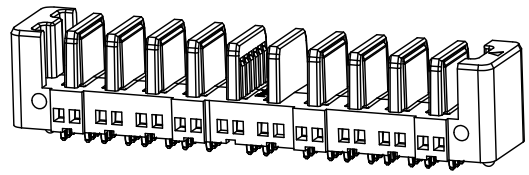
The peak temperature on board shall be maintained for 10 seconds at 260±5°c.
6. Operating Temperature Range: -40~125°c(without loss function).
7. All parts RoHS and Reach compliant.

THIS DRAWING AND SPECIFICATION ARE THE PROPERTY OF Prolanv AND SHALL NOT BE COPIED OR USED WITHOUT Prolanv PERMISSION	GENERAL TOLERANCES UNLESS SPECIFIED		PART NO.	Prolanv EX150 Series Hi-Current Power Male. H20.5mm, 8PW+12S Vertical Type
	.X ± 0.30	X.° ± 3°	PDC3930F0001	
	.XX ± 0.20	.X.° ± 2°	APPROVED BY	
	.XXX ± 0.05	.XX.° ± 1°	Mike	
CUSTOMER DRAWING		CHECKED BY	DWG NO.	
		Harry	PDC39-30	
SIZE	UNITS	DRAWN BY		
A4	mm[only]	Poplar		
			SHEET	SCALE
			1 / 2	1:1
			REV	A0

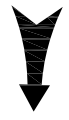
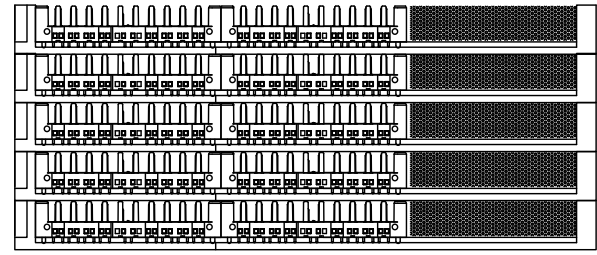
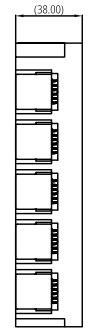
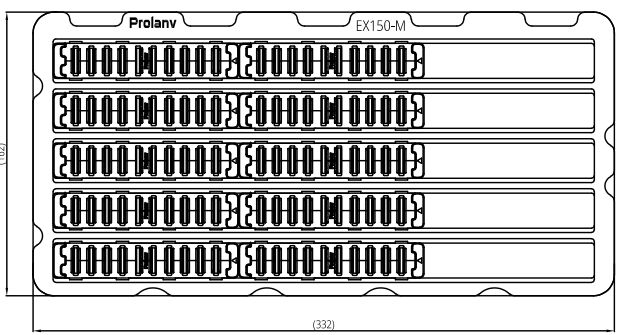
1 2 3 4 5 6 7 8

F

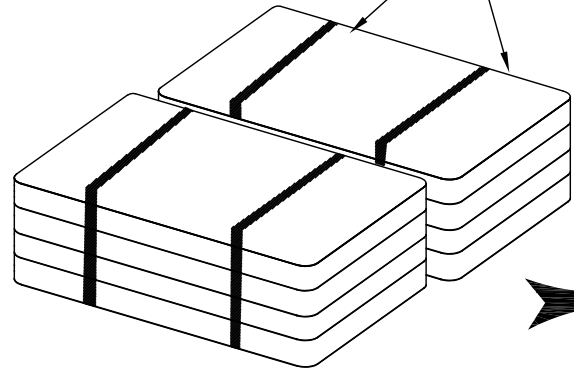
F



10Pcs/Tray

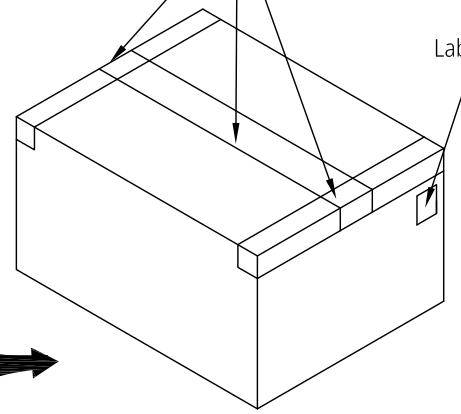


PE Film



Tape

Label



D

D

C

C

B

B

A

A

Notes:

1. Q'ty: 10Pcs/Tray, 2x5 Layers=100 Pcs/Carton.
2. Tray Pallet size: 332*162mm.
3. Carton size: 350*350*155mm.

THIS DRAWING AND SPECIFICATION ARE THE PROPERTY OF Prolanv AND SHALL NOT BE COPIED OR USED WITHOUT Prolanv PERMISSION

GENERAL TOLERANCES UNLESS SPECIFIED		PART NO.	Prolanv [®]			
$X \pm 0.30$	$X^{\circ} \pm 3^{\circ}$	PDC3930F0001				
$.XX \pm 0.20$	$X^{\circ} \pm 2^{\circ}$	APPROVED BY	TITLE			
$.XXX \pm 0.05$	$.XX^{\circ} \pm 1^{\circ}$	Mike	EX150 Series Hi-Current Power Male. H20.5mm, 8PW+12S Packaging			
CUSTOMER DRAWING		CHECKED BY	DWG NO.			
		Harry	P-PDC39-30			
SIZE	UNITS	DRAWN BY		SHEET	SCALE	REV
A4	mm[only]	Poplar		2 / 2	N/A	A0

1 2 3 4 5 6 7 8