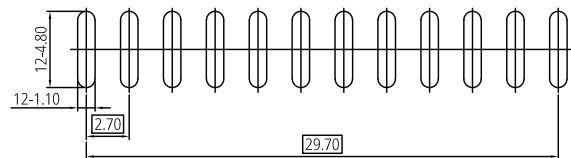
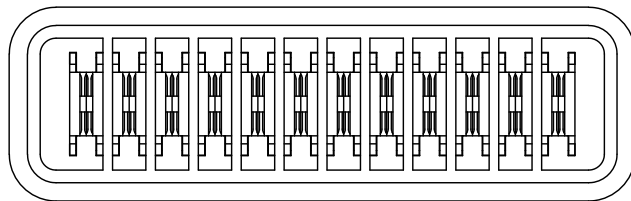
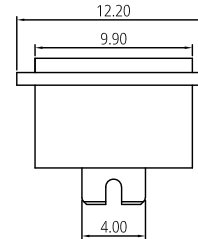
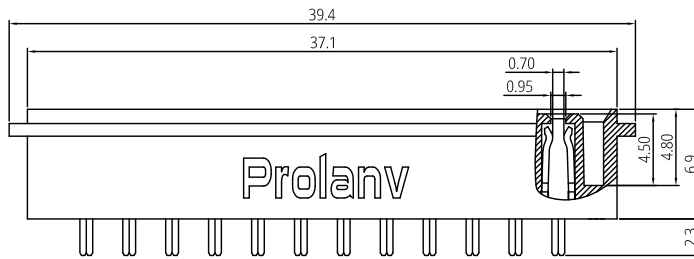
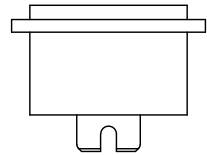


3D View

Notes:

1. Material Specification
  - 1-1. Housing: High Temperature Thermoplastic. UL94 V-0, Black.
  - 1-2. Contact: High Conductivity Copper Alloy.
2. Plating Specification:
  - 2-1. Contact: Au 5µ" on Contact Area, Matte Tin 80µ" min. on Tails, and 50µ" min. Nickel overall.
3. Electrical performance
  - 3-1. Voltage Rating: 50V DC/per pin.
  - 3-2. Current Rating: 15A /Per Pair Max.
  - 3-3. LLCR: 1.0mΩ max.(initial).
  - 3-4. Dielectric Withstanding Voltage: 500V AC (RMS) for 60S.
  - 3-5. Insulation Resistance: 1000 MΩ min./500V DC.
4. Mechanical Performance:
  - 4-1. Insertion force: 88N (9.0 kgf) max.
  - 4-2. Withdrawal force: 9.8N~88N (1.0~9.0 kgf).
  - 4-3. Durability life: 1,000 cycles.
5. IR Reflow:
 

The peak temperature on board shall be maintained for 10 seconds at 260±5°C.
6. Operating Temperature Range: -40~105°C (without loss function).
7. All parts RoHS and Reach compliant.



Recommended P.C.B layout (Top View)

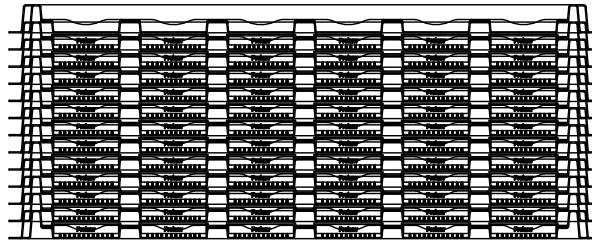
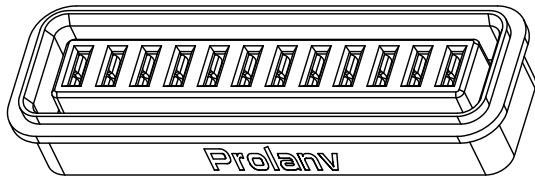
Tolerance ±0.05

THIS DRAWING AND SPECIFICATION ARE THE PROPERTY OF Prolanv AND SHALL NOT BE COPIED OR USED WITHOUT Prolanv PERMISSION	GENERAL TOLERANCES UNLESS SPECIFIED		PART NO.		<b>Prolanv®</b>		
			PDC1610B0011				
	X ± 0.30	X° ± 3°	APPROVED BY		TITLE 15A/Per Pair Max. Power Female. 2.7Pitch, H6.9mm, DIP Type		
	.XX ± 0.20	.X° ± 2°	Mike				
	.XXX ± 0.05	.XX° ± 1°	CHECKED BY				
CUSTOMER DRAWING		Henry		DWG NO. PDC16-11			
SIZE	UNITS	DRAWN BY			SHEET	SCALE	REV
A4	mm[only]	Lucie					

1 2 3 4 5 6 7 8

F  
E  
D  
C  
B  
A

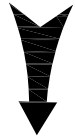
F  
E  
D  
C  
B  
A



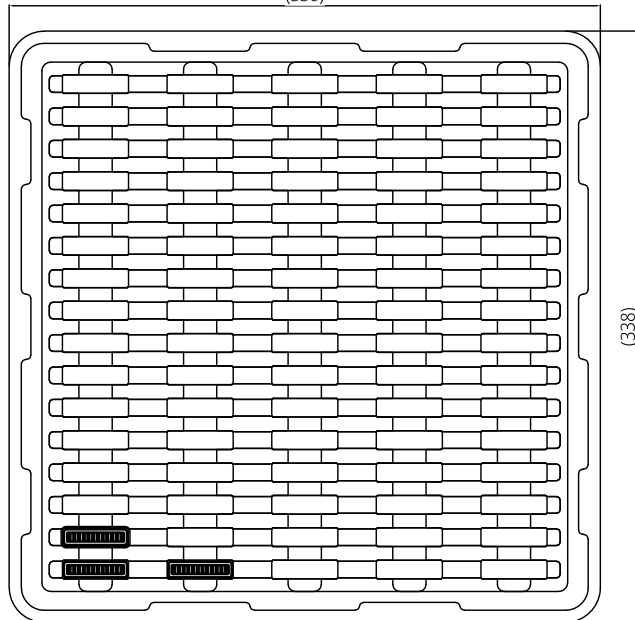
Total:12 Layers

Notes:

- 1. Q'ty: 90Pcs/Tray, 12 Layeres=1080 Pcs/Carton.
- 2. Tray Pallet size: 338\*338mm, T=15.50mm.
- 3. Carton size: 350\*350\*155mm.

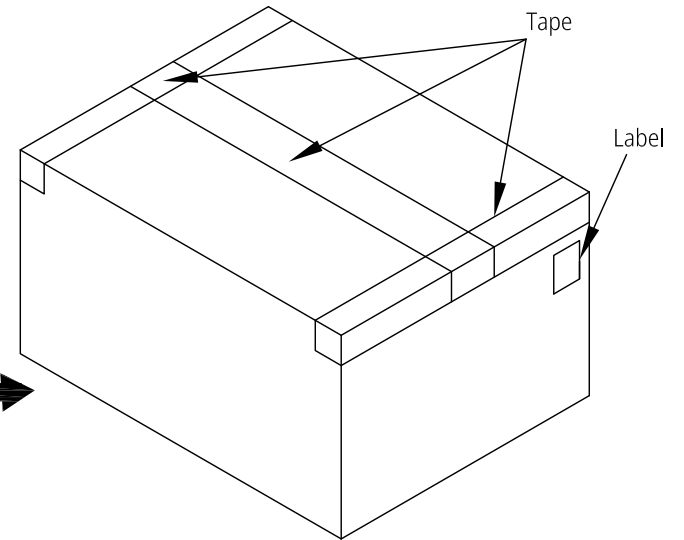
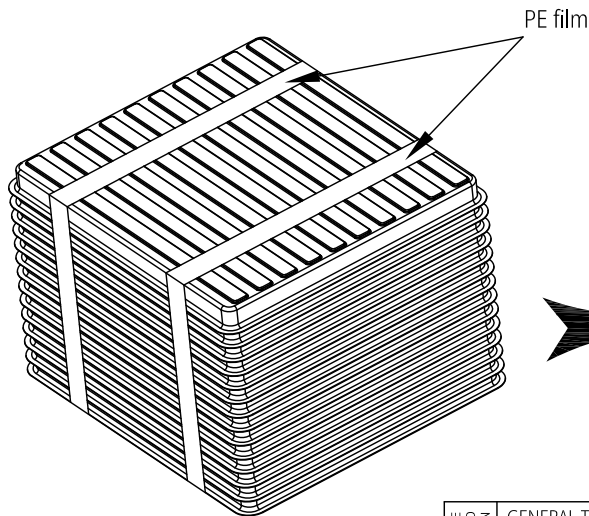
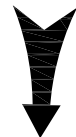


(338)



(338)

(15.5)



THIS DRAWING AND SPECIFICATION ARE THE PROPERTY OF Prolanv AND SHALL NOT BE COPIED OR USED WITHOUT Prolanv PERMISSION	GENERAL TOLERANCES UNLESS SPECIFIED		PART NO.	<b>Prolanv</b> <sup>®</sup>		
			PDC1610B0011			
	.X ± 0.30	X° ± 3°	APPROVED BY	TITLE 15A/Per Pair max. Power Female. 2.7Pitch, H6.9mm, DIP Type Packaging		
	.XX ± 0.20	X° ± 2°	Mike			
	.XXX ± 0.05	.XX° ± 1°	CHECKED BY	DWG NO. P-PDC16-11		
CUSTOMER DRAWING		Henry				
SIZE	UNITS	DRAWN BY				
A4	mm[only]	Lucie				SHEET
			2 / 2	N/A	A0	

1 2 3 4 5 6 7 8