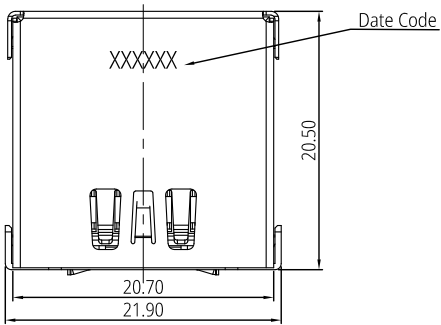
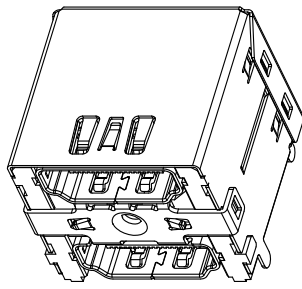


1 2 3 4 5 6 7 8

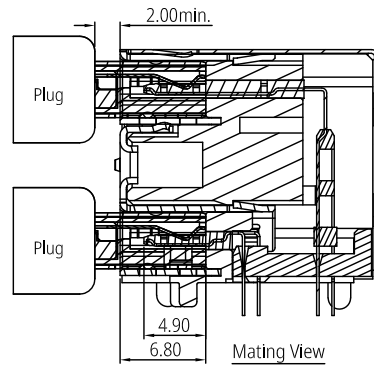
F



E



3D View



Mating View

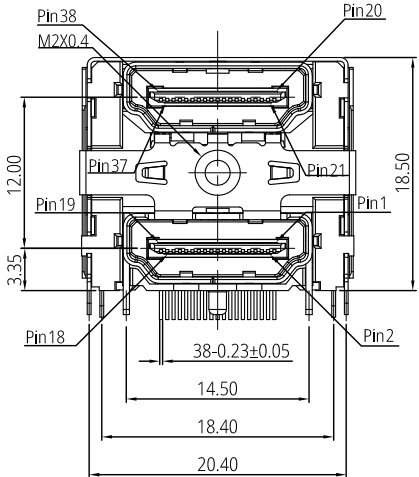
Pin	Signal Assignment
1	TMDS Data2+
2	TMDS Data2 Shield
3	TMDS Data2-
4	TMDS Data+
5	TMDS Data1 Shield
6	TMDS Data1-
7	TMDS Data0+
8	TMDS Data0 Shield
9	TMDS Data0-
10	TMDS Clock+
11	TMDS Clock Shield
12	TMDS Clock-
13	CEC
14	Reserved (N.C. on device)
15	SCL
16	SDA
17	DDC/CEC Ground
18	+5V Power
19	Hot Plug Detect

Notes:

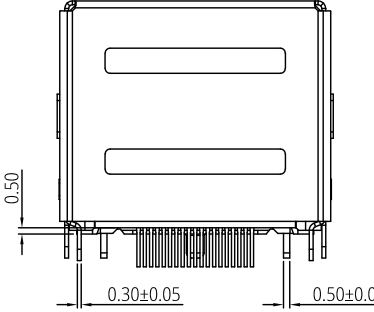
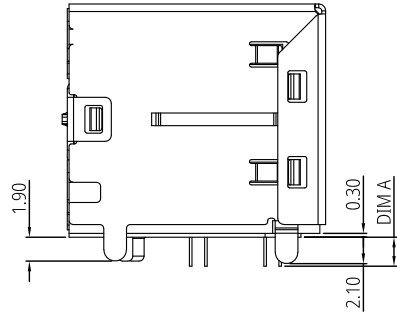
- Material Specification:
 - 1-1.Out-shell: Stainless Steel (SUS430) T=0.30mm
 - 1-2.Lower-shell: Stainless Steel (SUS304) T=0.5mm
 - 1-3.Upper-shell: Stainless Steel (SUS304) T=0.5mm
 - 1-4.Housing: LCP+30%GF, UL94V-0, Black.
 - 1-5.Terminal: Copper Alloy (C2680) T=0.20mm
- Plating Specification:
 - 2-1.Contact: see P/N.
 - 2-2.Shell: Nickel plating 50µ" min.
- Mechanical Performance:
 - 3-1.Insertion force: 44.1N (4.5kgf) max.
 - 3-2.Withdrawal force: 4.9N~25N(0.5~2.5kgf).
 - 3-3.Durability: 10,000 cycles.
- Electrical Performance:
 - 4-1.Current rating: 0.5A.
 - 4-2.LLCR: Contact: 30mΩ max(initial), Shell: 50mΩ max(initial).
 - 4-3.Insulation Resistance:
 - A:unmated: 100MΩ min. at 500V DC.
 - B:mated: 10MΩ min. at 150V DC.
 - 4-4.Dielectric withstand voltage:
 - 150V AC/60s(mated), 250V AC/60s(unmated).
- IR Reflow:

The peak temperature on board shall be maintained for 10 seconds at 260±5°C.
- Operating temperature range: -35°C~105°C.
- All parts RoHS and Reach compliant.

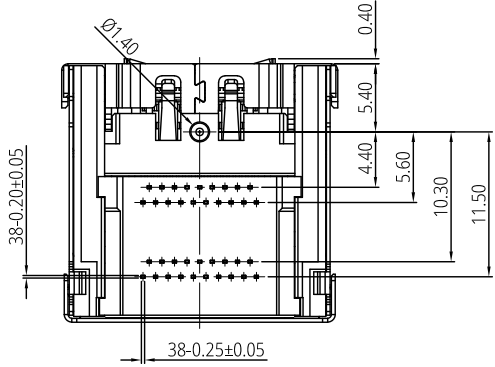
D



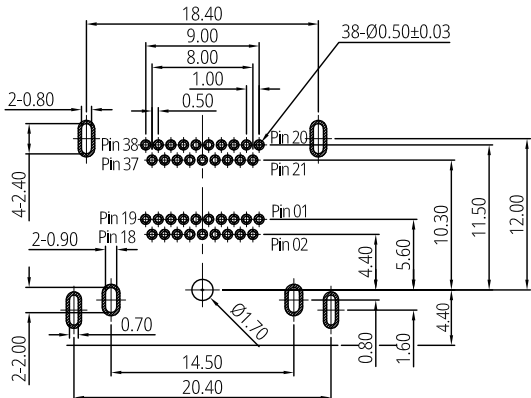
C



B



A



Recommended P.C.B Layout (Top View)

(Thickness=1.6±0.10mm)
(Tolerance=±0.05mm)

Part Number: PHD7610X00X2

Contact Plating Spec. Code: A: Gold Flash on Contact area, matte Tin 60µ" min. on Tails, and 50µ" min. Nickel overall.
 B: Au 5µ" on Contact area, matte Tin 80µ" min. on Tails and 50µ" min. Nickel overall.
 C: Au 15µ" on Contact area, matte Tin 80µ" min. on Tails, and 50µ" min. Nickel overall.

DIM A Spec. Code: 0: DIM A=2.10mm
 1: DIM A=2.60mm.

THIS DRAWING AND SPECIFICATION ARE THE PROPERTY OF Prolanv AND SHALL NOT BE COPIED OR USED WITHOUT Prolanv PERMISSION

GENERAL TOLERANCES UNLESS SPECIFIED		PART NO. PHD7610X00X2
X ± 0.30	X° ± 3°	
XX ± 0.20	X° ± 2°	APPROVED BY Kysin
XXX ± 0.10	XX° ± 1°	CHECKED BY Harry
CUSTOMER DRAWING		DRAWN BY Lucie
SIZE A4	UNITS mm[only]	

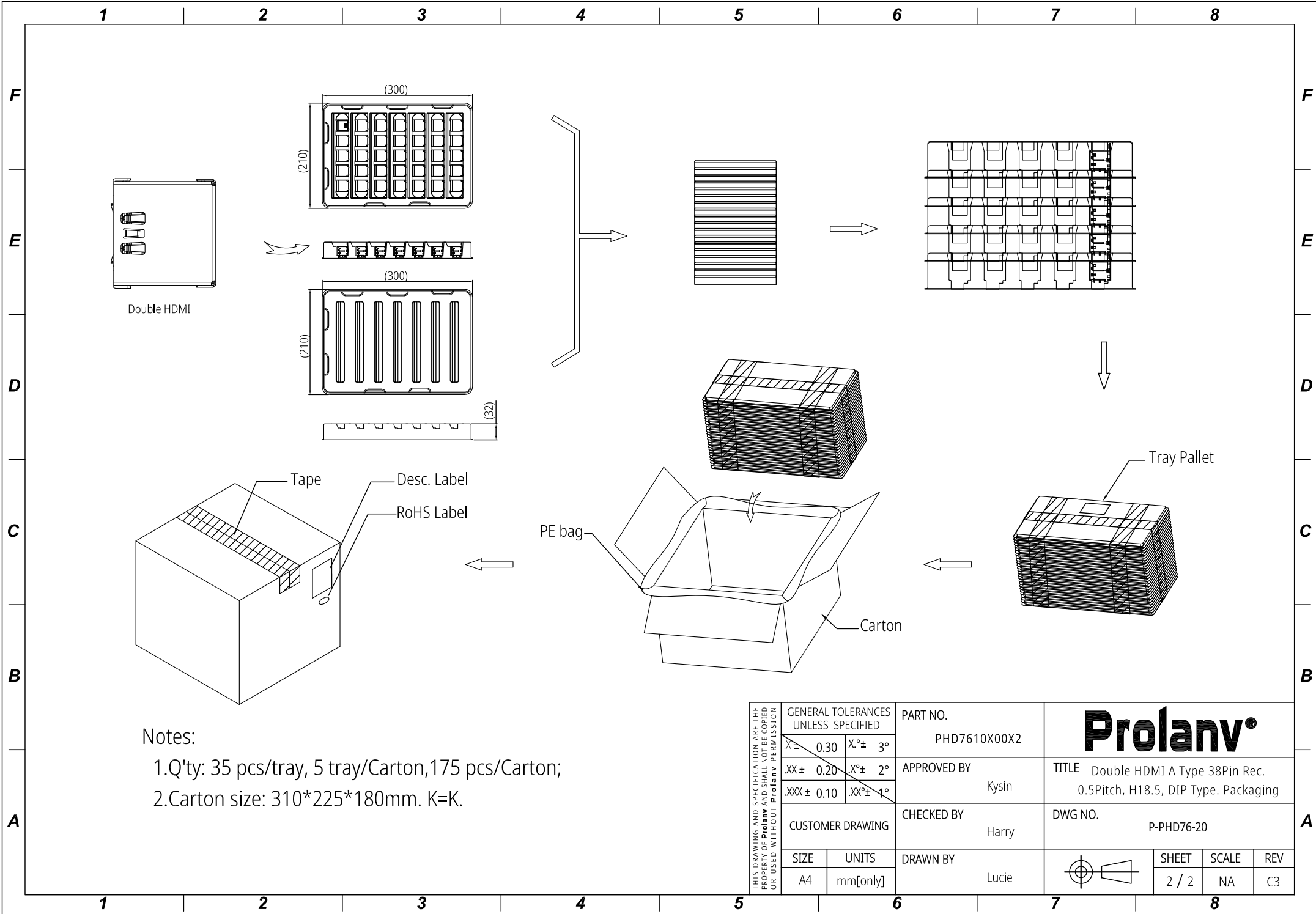
Prolanv®

TITLE Double HDMI A Type 38Pin Rec.
0.5Pitch, Top-Mount H18.5, DIP Type

DWG NO. PHD76-20

	SHEET	SCALE	REV
	1 / 2	1:1	C3

1 2 3 4 5 6 7 8



Notes:

- 1.Q'ty: 35 pcs/tray, 5 tray/Carton, 175 pcs/Carton;
- 2.Carton size: 310*225*180mm. K=K.

THIS DRAWING AND SPECIFICATION ARE THE PROPERTY OF Prolanv AND SHALL NOT BE COPIED OR USED WITHOUT Prolanv PERMISSION	GENERAL TOLERANCES UNLESS SPECIFIED		PART NO.		Prolanv®		
	$X \pm 0.30$	$X^\circ \pm 3^\circ$	PHD7610X00X2				
	$.XX \pm 0.20$	$.X^\circ \pm 2^\circ$	APPROVED BY		TITLE Double HDMI A Type 38Pin Rec. 0.5Pitch, H18.5, DIP Type. Packaging		
	$.XXX \pm 0.10$	$.XX^\circ \pm 1^\circ$	Kysin				
	CUSTOMER DRAWING		CHECKED BY		DWG NO.		
		Harry		P-PHD76-20			
SIZE	UNITS	DRAWN BY			SHEET	SCALE	REV
A4	mm[only]	Lucie			2 / 2	NA	C3