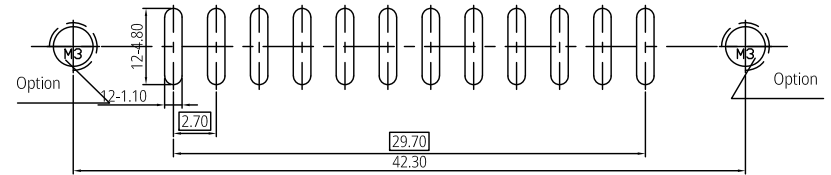
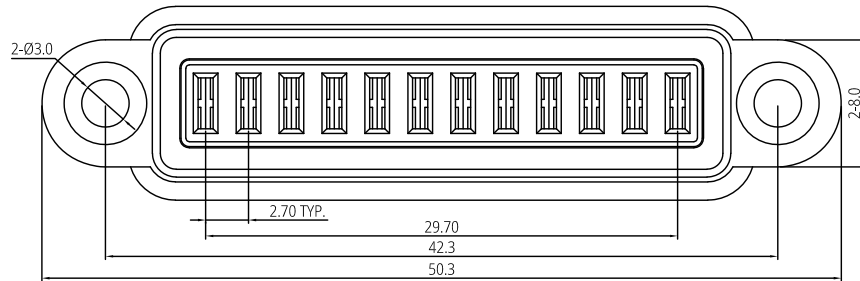
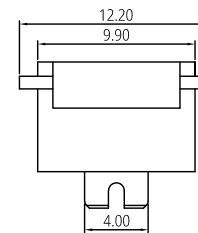
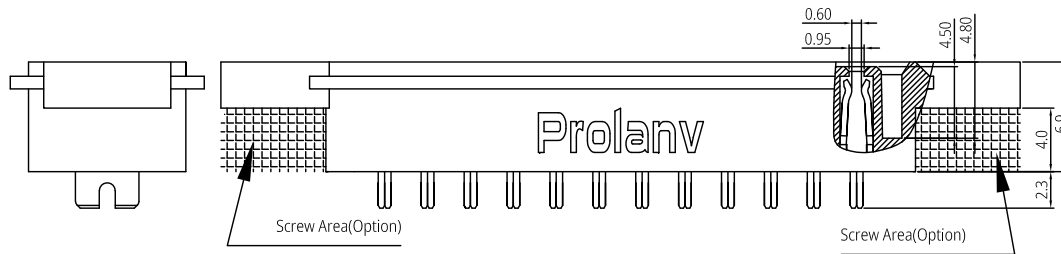


**P**atented product  
专利产品



Recommended P.C.B layout (Top View)

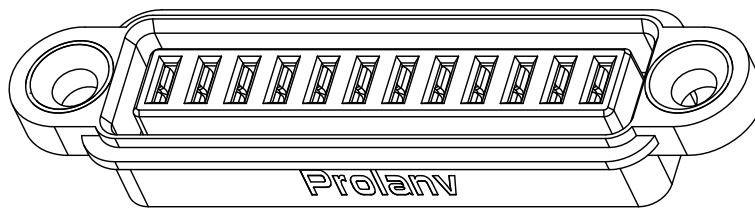
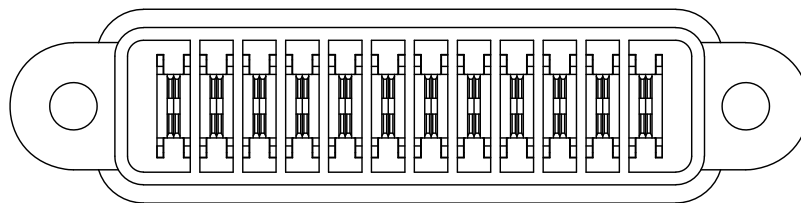
Tolerance  $\pm 0.05$



Notes:

- Material Specification
  - Housing: High Temperature Thermoplastic, UL94 V-0,Black.
  - Contact: High Conductivity Copper Alloy.
  - Screw-Hole: Copper Alloy.
- Plating Specification:
  - Contact: Au 5 $\mu$ " on Contact Area, Matte Tin 80 $\mu$ " min.on Tails, and 50 $\mu$ " min. Nickel overall.
- Electrical performance
  - Voltage Rating: 50V DC/per pin.
  - Current Rating: 20A /Per Pair max.
  - LLCR: 1.0m $\Omega$  max.(initial).
  - Dielectric Withstanding Voltage: 500V AC (RMS) for 60S.
  - Insulation Resistance: 1000 M $\Omega$  min./500V DC.
- Mechanical Performance:
  - Insertion force: 127.4N (13.0 kgf) max.
  - Withdrawal force: 9.8N~88N (1.0~9.0 kgf).
  - Durability life: 1,000 cycles.
- IR Reflow:
 

The peak temperature on board shall be maintained for 10 seconds at 260 $\pm 5^\circ$ c.
- Operating Temperature Range: -40~105 $^\circ$ c(without loss function).
- All parts RoHS and Reach compliant.

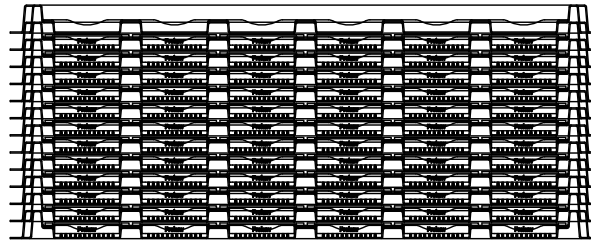
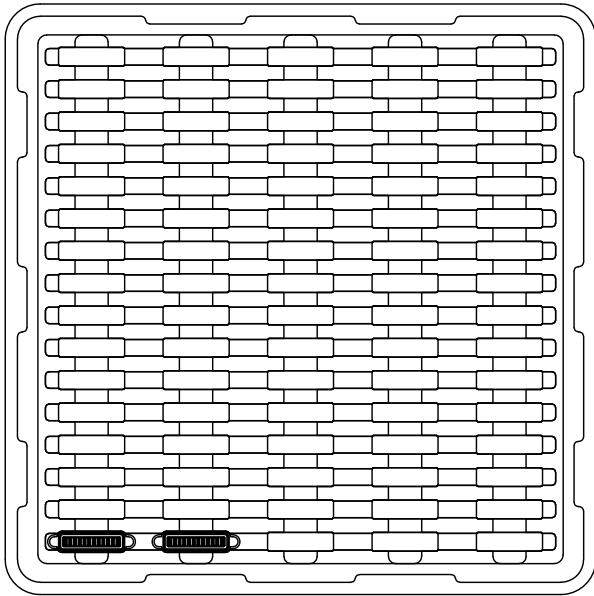
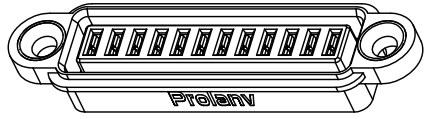


3D VIEW

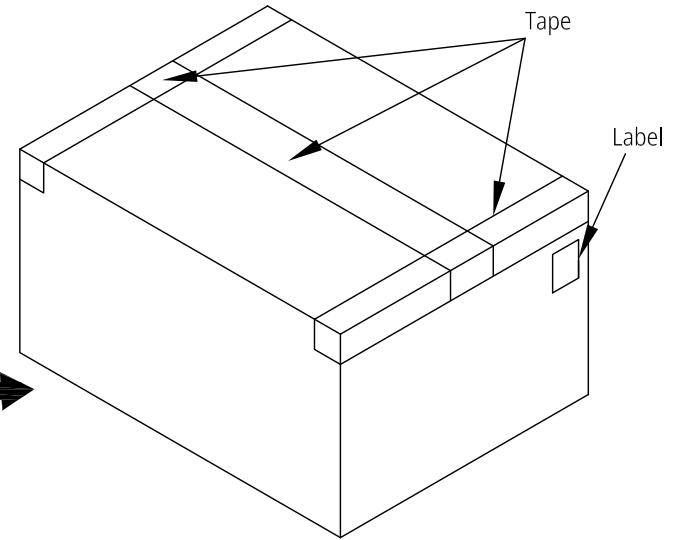
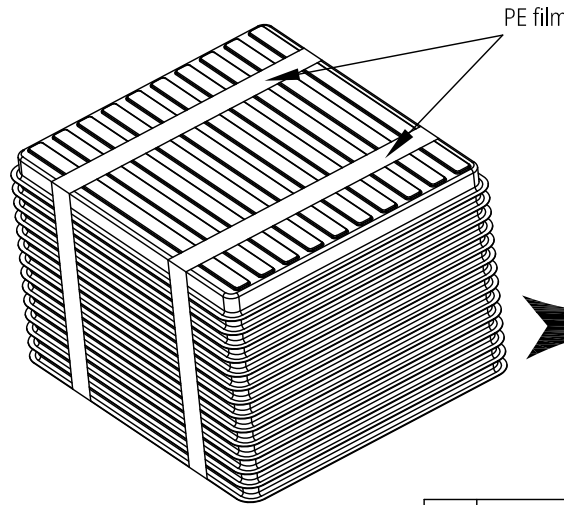
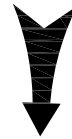
THIS DRAWING AND SPECIFICATION ARE THE PROPERTY OF Prolanv AND SHALL NOT BE COPIED OR USED WITHOUT Prolanv PERMISSION

GENERAL TOLERANCES UNLESS SPECIFIED		PART NO.		<b>Prolanv</b> <sup>®</sup>			
X $\pm$ 0.30	X $^\circ$ $\pm$ 3 $^\circ$	PDC1620B0001					
.XX $\pm$ 0.20	.X $^\circ$ $\pm$ 2 $^\circ$	APPROVED BY		TITLE			
.XXX $\pm$ 0.05	.XX $^\circ$ $\pm$ 1 $^\circ$	Mike		20A/Per Pair Max. Power Female. 2.7Pitch, H6.9mm, DIP Type			
CUSTOMER DRAWING		CHECKED BY		DWG NO.			
		Henry		PDC16-20			
SIZE	UNITS	DRAWN BY			SHEET	SCALE	REV
A4	mm[only]	Lucie			1 / 2	1:1	B5

1 2 3 4 5 6 7 8



Total:12 Layers



Notes:

1. Q'ty: 80 Pcs/Tray, 12 Layers=960 Pcs/Carton.
2. Tray Pallet size: 338\*338mm, T=15.50mm.
3. Carton size: 350\*350\*155mm.

THIS DRAWING AND SPECIFICATION ARE THE PROPERTY OF Prolanv AND SHALL NOT BE COPIED OR USED WITHOUT Prolanv PERMISSION	GENERAL TOLERANCES UNLESS SPECIFIED		PART NO.		<h1 style="margin: 0;">Prolanv®</h1>		
	$X \pm 0.30$	$X^\circ \pm 3^\circ$	PDC1620B0001				
	$.XX \pm 0.20$	$X^\circ \pm 2^\circ$	APPROVED BY		TITLE 20A/Per Pair max. Power Female. 2.7Pitch, H6.9mm, DIP Type Packaging		
	$.XXX \pm 0.05$	$.XX^\circ \pm 1^\circ$	Mike				
	CUSTOMER DRAWING		CHECKED BY		DWG NO.		
		Henry		P-PDC16-20			
SIZE	UNITS	DRAWN BY			SHEET	SCALE	REV
A4	mm[only]	Lucie			2 / 2	N/A	B5