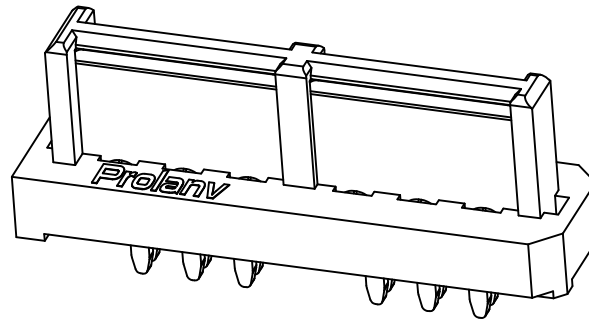
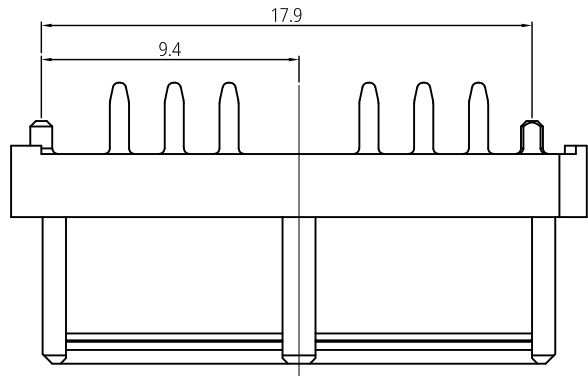
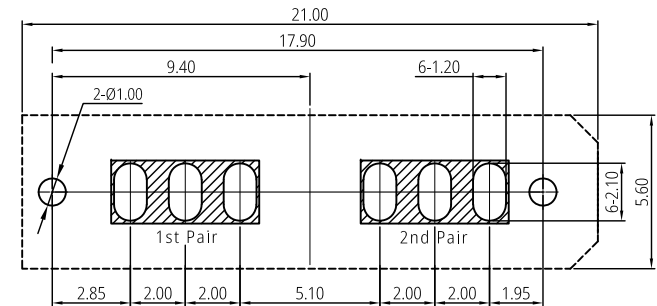


Patented product
专利产品

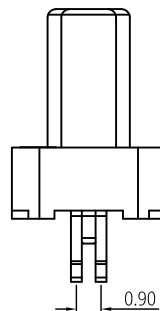
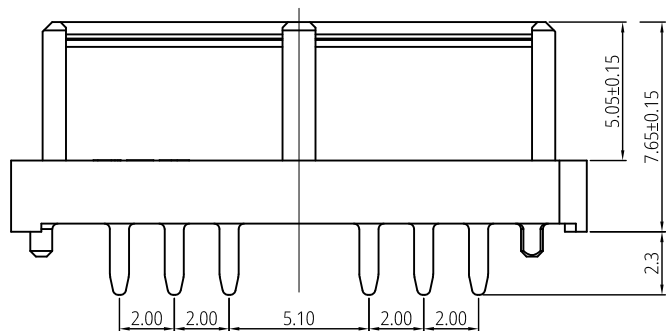
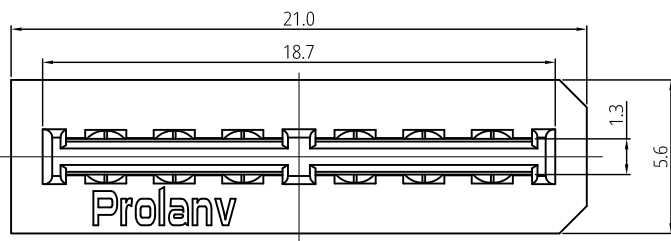


3D View



Recommended P.C.B layout (Top View)

Tolerance ± 0.05



Notes:

- Material Specification
 - Housing: High Temperature Thermoplastic. UL94 V-0, Black.
 - Contact: High Conductivity Copper Alloy.
- Plating Specification:
 - Contact: Au3 μ m plating on Contact area, matte Tin 80 μ m min. on Tails, and 50 μ m min, Nickel overall.
- Electrical performance
 - Voltage Rating: 50v DC/Power Pin.
 - Current Rating: 40A/Per Power Pin.
 - LLCR: initial 0.5m Ω max., finished 1.0m Ω max.(Power Pin).
 - Dielectric Withstanding Voltage: 500v DC rms/Power Pin.
 - Insulation Resistance: 500 M Ω min at 500v DC.
- Mechanical Performance:
 - Insertion force: 35N (3.6kgf) (max.)
 - Withdrawal force: 4.9N~35N (0.5~3.6 kgf).
 - Durability life: 5,000 cycles (max.)
- IR Reflow:

The peak temperature on board shall be maintained for 10 seconds at 260 \pm 5 $^{\circ}$ C.
- Operating Temperature Range: -35~105 $^{\circ}$ C(without loss function).
- All parts RoHS and Reach compliant.

THIS DRAWING AND SPECIFICATION ARE THE PROPERTY OF Prolanv AND SHALL NOT BE COPIED OR USED WITHOUT Prolanv PERMISSION

GENERAL TOLERANCES UNLESS SPECIFIED		PART NO.		Prolanv [®]			
X \pm 0.30 X $^{\circ}$ \pm 3 $^{\circ}$		PDC1110B0005					
.XX \pm 0.20 X $^{\circ}$ \pm 2 $^{\circ}$		APPROVED BY		TITLE			
.XXX \pm 0.05 XX $^{\circ}$ \pm 1 $^{\circ}$		Mike		40A/Per Pair Power Male. H7.65mm, 2Pairs Vertical DIP Type			
CUSTOMER DRAWING		CHECKED BY		DWG NO.			
		Harry		PDC11-10			
SIZE	UNITS	DRAWN BY			SHEET	SCALE	REV
A4	mm[only]	Poplar			1 / 2	1:1	C2

1 2 3 4 5 6 7 8

F

F

E

E

D

D

C

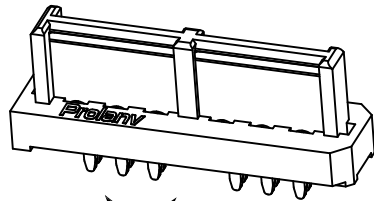
C

B

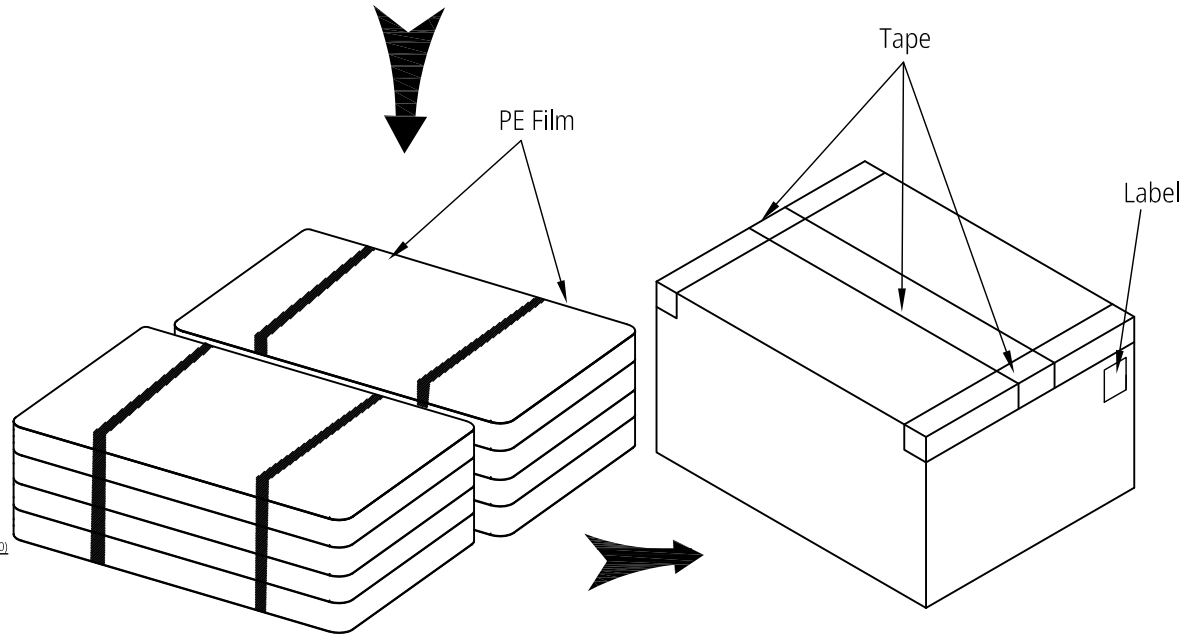
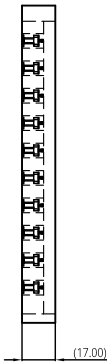
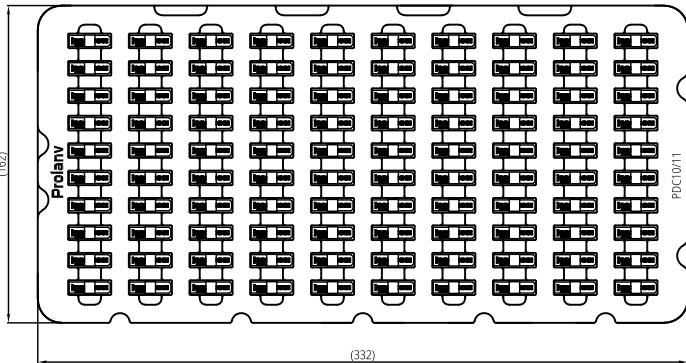
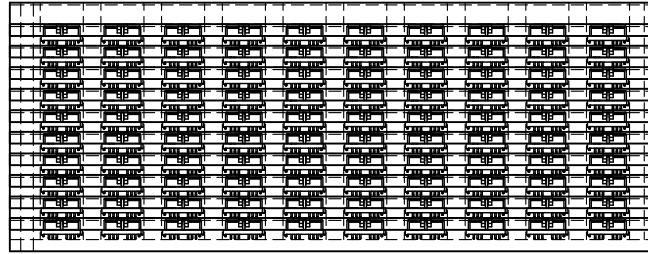
B

A

A



100 Pcs/Tray



Notes:

1. Q'ty: 100 Pcs/Tray, 2X10 Layers=2,000 Pcs/Carton.
2. Tray Pallet size: 332*162*17mm.
3. Carton size: 350*350*155mm.

THIS DRAWING AND SPECIFICATION ARE THE PROPERTY OF Prolanv AND SHALL NOT BE COPIED OR USED WITHOUT Prolanv PERMISSION

GENERAL TOLERANCES UNLESS SPECIFIED		PART NO.	Prolanv [®]		
$X \pm 0.30$	$X^\circ \pm 3^\circ$	PDC1110B0005			
$.XX \pm 0.20$	$X^\circ \pm 2^\circ$	APPROVED BY	TITLE 40A/Per Pair Power Male. H7.65mm, 2Pairs, Packaging		
$.XXX \pm 0.05$	$.XX^\circ \pm 1^\circ$	Mike	DWG NO. P- PDC11-11		
CUSTOMER DRAWING		CHECKED BY	A		
SIZE		Harry	DRAWN BY		
A4	UNITS	Poplar	SHEET		
	mm[only]		SCALE		
			REV		
			2 / 2	N/A	C2