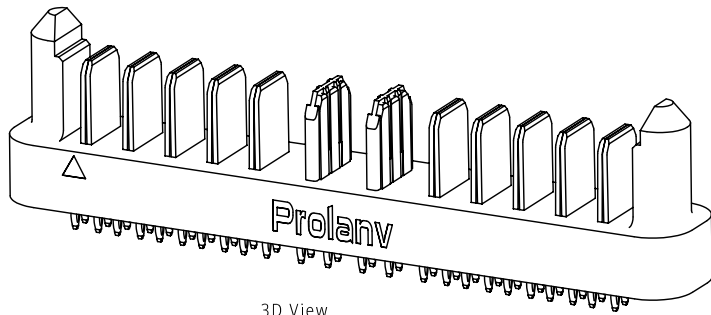
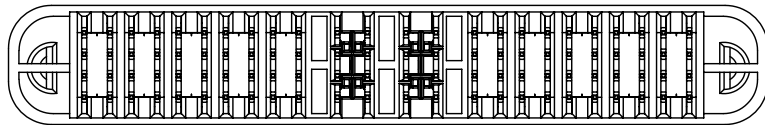
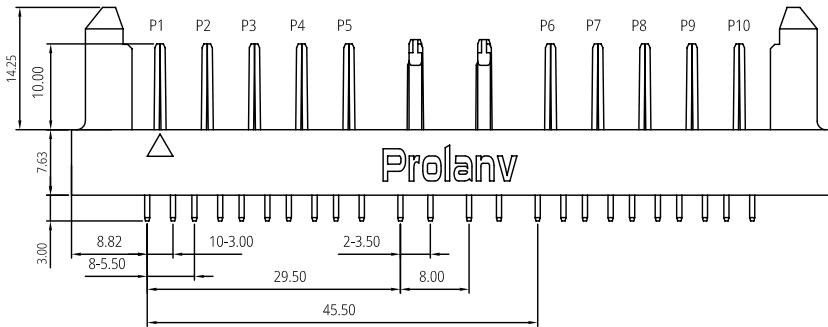
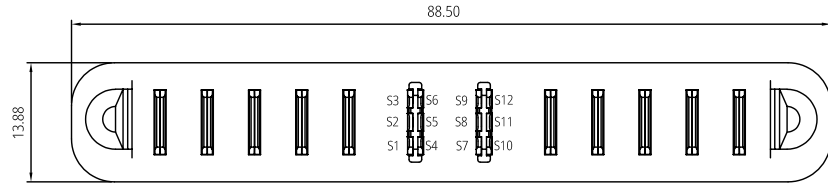
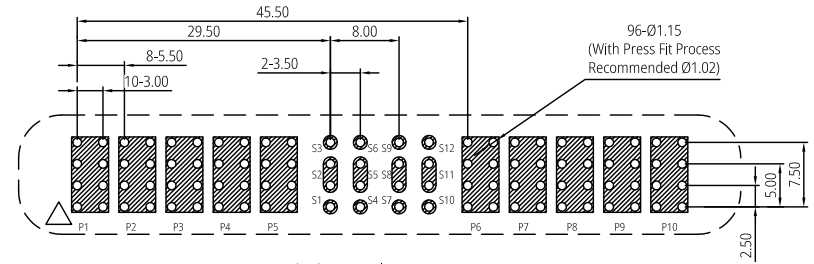


Patented product
 专利产品



3D View



Recommended P.C.B layout (Top View)
 Tolerance ± 0.05

Notes:

- Material Specification
 - Housing: High Temperature Thermoplastic. UL94 V-0, Black.
 - Contact: High Conductivity Copper Alloy.
- Plating Specification:
 - Contact: see P/N
- Electrical performance
 - Voltage Rating: 250v DC/Power Pin, 120v DC/Signal Pin.
 - Current Rating: 60A/per Power Blade, 3A/Signal Pin.
 - LLCR: initial 0.6m Ω max., finished 1.0m Ω max.(per Power Blade) initial 10m Ω max., finished 20m Ω max.(per Signal Pin)
 - Dielectric Withstanding Voltage: 1500v DC rms/Power Blade; 500v DC rms/Signal Pin,
 - Insulation Resistance: 5000 M Ω min/power blade; 500 M Ω min/signal pin;
- Mechanical Performance:
 - Insertion force: 245N (25.0 kgf) (max.)
 - Withdrawal force: 9.8N~147N (1.0~15.0 kgf).
 - Durability life: 10,000 cycles (max.)
- IR Reflow:
 - The peak temperature on board shall be maintained for 10 seconds at 260 $\pm 5^{\circ}$ C.
- Operating Temperature Range: -40~125 $^{\circ}$ C(without loss function).
- All parts RoHS and Reach compliant.

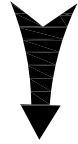
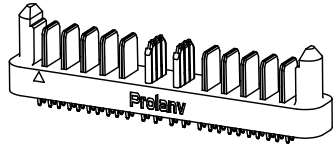
Part Number: PDC2110F0001

Contact Plating Spec. Code:

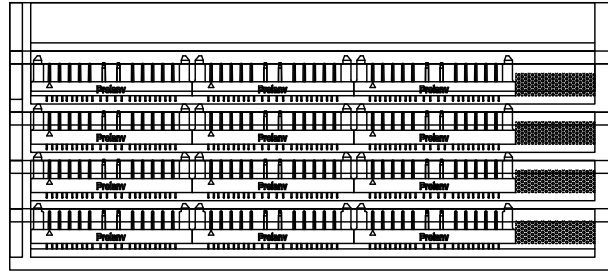
- A: Au 5 μ " plating on Contact area, matte Tin 80 μ " min. on Tails and 50 μ " min. Nickel overall.
- C: Au 15 μ " plating on Contact area, matte Tin 80 μ " min. on Tails and 50 μ " min. Nickel overall.
- F: Au 30 μ " plating on Contact area, matte Tin 80 μ " min. on Tails and 50 μ " min. Nickel overall.

THIS DRAWING AND SPECIFICATION ARE THE PROPERTY OF Prolanv AND SHALL NOT BE COPIED OR USED WITHOUT Prolanv PERMISSION	GENERAL TOLERANCES UNLESS SPECIFIED		PART NO. PDC2110F0001	Prolanv[®]		
	X \pm 0.30	X° \pm 3°				
	.XX \pm 0.20	.X° \pm 2°	CHECKED BY Harry	DWG NO. PDC21-10		
	.XXX \pm 0.05	.XX° \pm 1°	DRAWN BY Lucie		SHEET 1 / 2	SCALE 1:1

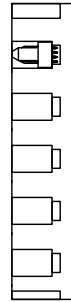
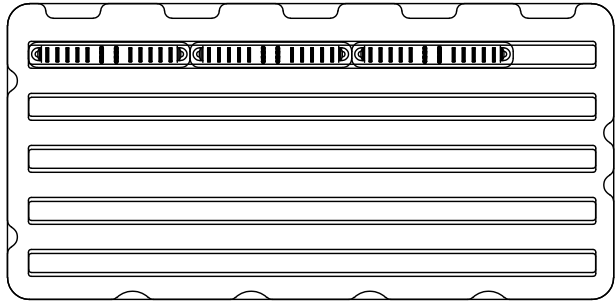
Patented product
 专利产品



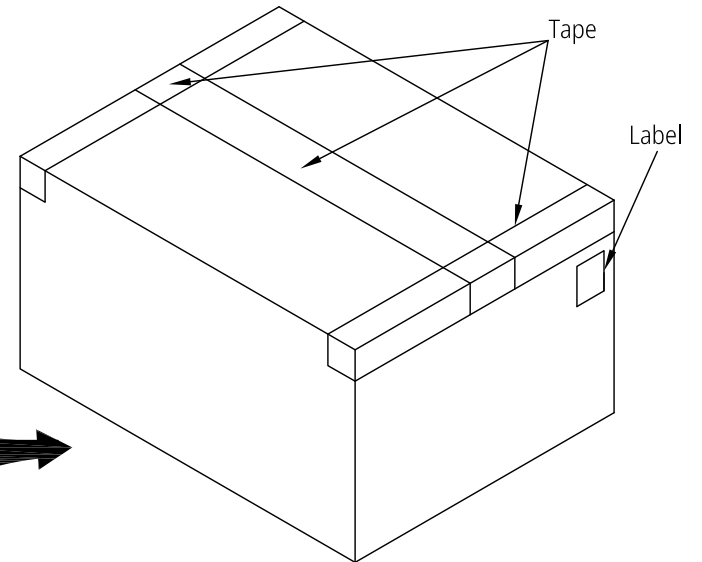
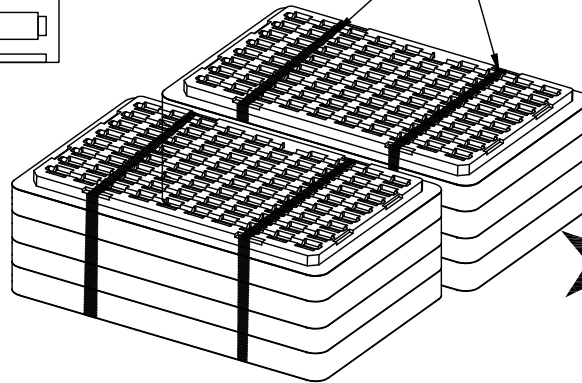
15Pcs/Tray



Total: 2x4 Layers



PE Film



Notes:

1. Q'ty: 15 Pcs/Tray, 2x4 Layers=120 Pcs/Carton.
2. Tray Pallet size: 332*162mm.
3. Carton size: 350*350*155mm.

THIS DRAWING AND SPECIFICATION ARE THE PROPERTY OF Prolanv AND SHALL NOT BE COPIED OR USED WITHOUT Prolanv PERMISSION

GENERAL TOLERANCES UNLESS SPECIFIED		PART NO.	Prolanv®			
$.X \pm 0.30$	$X^\circ \pm 3^\circ$	PDC2110F0001				
$.XX \pm 0.20$	$X^\circ \pm 2^\circ$	APPROVED BY	TITLE			
$.XXX \pm 0.05$	$.XX^\circ \pm 1^\circ$	Kysin	60A/Per Pair Conn. Power Male. 10Pairs Power Pin+2Pairs Signal Pin Packaging			
CUSTOMER DRAWING		CHECKED BY	DWG NO.			
		Harry	P-PDC21-10			
SIZE	UNITS	DRAWN BY		SHEET	SCALE	REV
A4	mm[only]	Lucie		2 / 2	N/A	A2