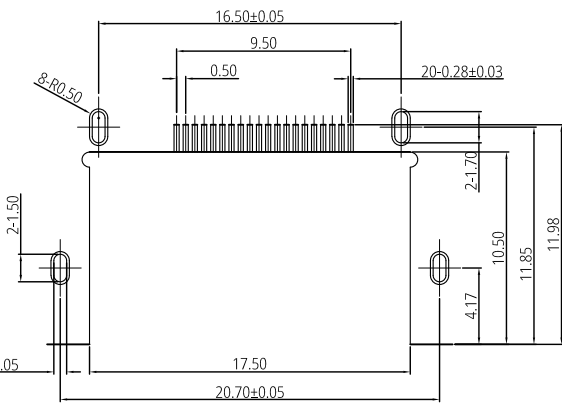
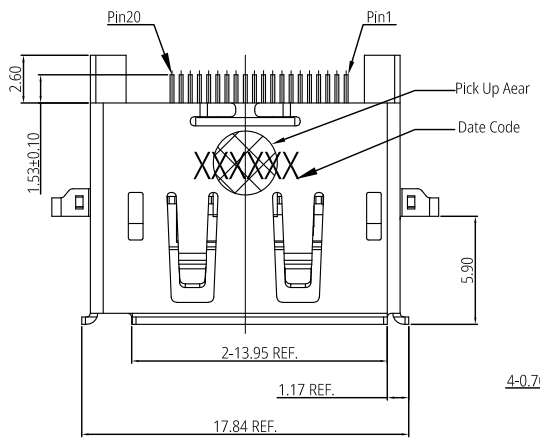
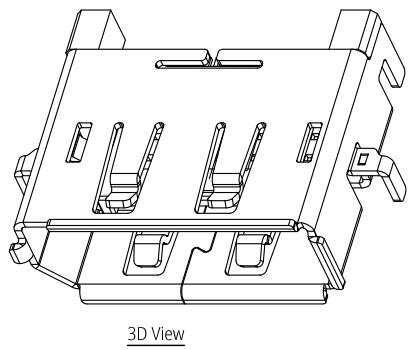
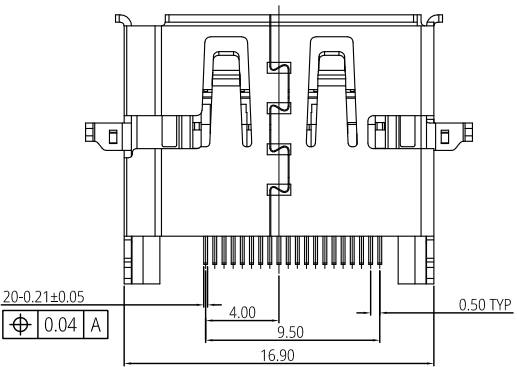
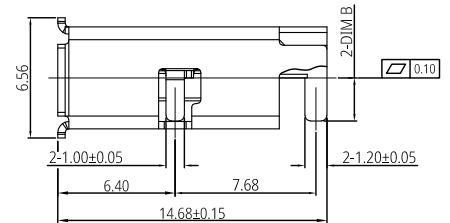
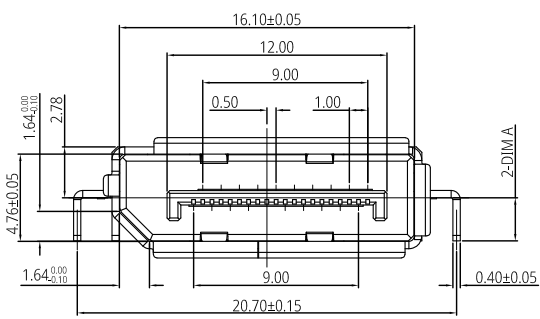


1 2 3 4 5 6 7 8

F
E
D
C
B
A



Recommended P.C.B Layout (Top View)
(Thickness:1.56±0.05mm)
(Tolerance:±0.03mm)



3D View

Pin Number	Signal Assignment
1	Out
2	GND
3	Out
4	Out
5	GND
6	Out
7	Out
8	GND
9	Out
10	Out
11	GND
12	Out
13	CONFIG
14	CONFIG
15	I/O
16	GND
17	I/O
18	In
19	RTN
20	PWR Out

- Notes:
- Material Specification:
 - 1-1.Housing: LCP+30% G.F UL94 V-0 Black.
 - 1-2.Contact: Copper Alloy (C2680) T=0.20mm.
 - 1-3.Shell: Stainless Steel (SUS304).
 - Plating Specification:
 - 2-1.Contact: see P/N.
 - 2-2.Shell: Nickel plated.
 - Mechanical Performance:
 - 3-1.Insertion force: 44.1N (4.5kgf) max.
 - 3-2.Withdrawal force: 4.9N~25N(0.5~2.5kgf).
 - 3-3.Durability: 10,000 cycles.
 - Electrical Performance:
 - 4-1.Current rating: 0.5A.
 - 4-2.LLCR: Contact: 30mΩ max.(initial), Shell: 50mΩ max.(initial).
 - 4-3.Insulation Resistance:
 - A:unmated: 100MΩ min. at 500V DC.
 - B:mated: 10MΩ min. at 150V DC.
 - 4-4.Dielectric withstand voltage:
 - 150V AC/60s(mated), 250V AC/60s(unmated).
 - IR Reflow:
 - The peak temperature on board shall be maintained for 10 seconds at 260±5°C.
 - Operating temperature range: -35°C~105°C (without loss function).
 - All parts RoHS and Reach compliant.

Part Number: PDP0210X000X

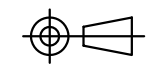
Contact Plating Spec. Code:

A: Gold Flahs on Contact area, matte Tin 60μ" min. on Tails, and 50μ" min. Nickel overall.
 B: Au 5μ" on Contact area, matte Tin 60μ" min. on Tails, and 50μ" min. Nickel overall.
 C: Au 15μ" on Contact area, matte Tin 60μ" min. on Tails, and 50μ" min. Nickel overall.

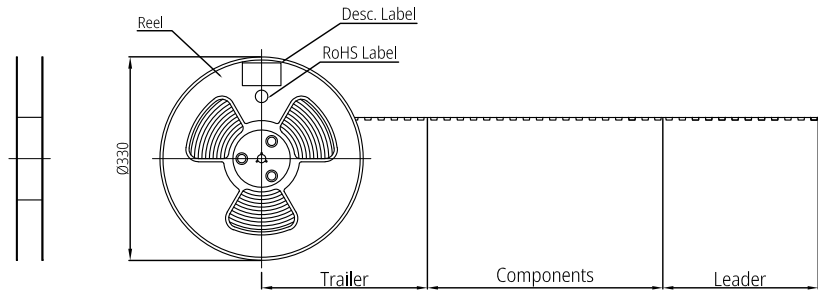
Leg Length Spec. Code:

1: DIM A=2.35mm/DIM B=2.35mm
 6: DIM A=1.50mm/DIM B=1.50mm

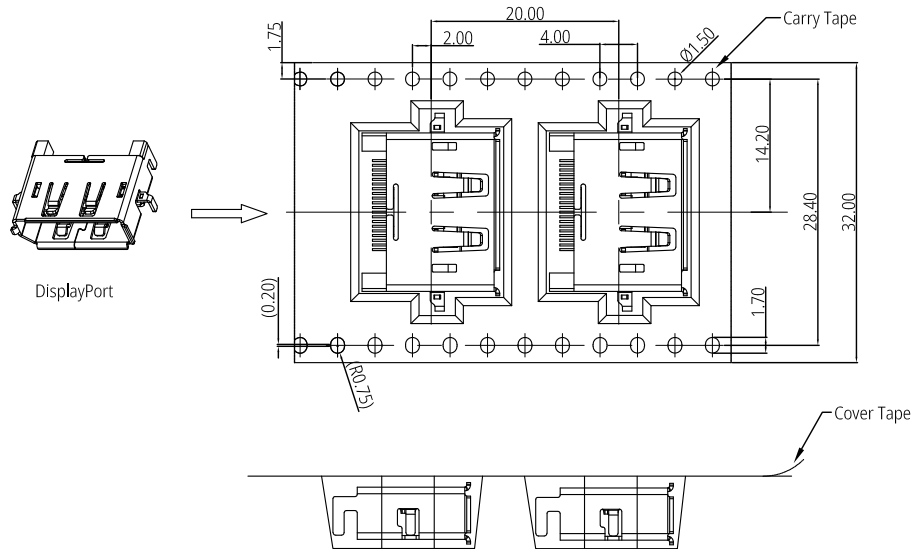
GENERAL TOLERANCES UNLESS SPECIFIED		PART NO. PDP0210X000X	Prolanv®		
X ± 0.30	X° ± 3°				
XX ± 0.20	X° ± 2°	APPROVED BY	Kysin		
XXX ± 0.05	XX° ± 1°	CHECKED BY	Harry		
CUSTOMER DRAWING		DRAWN BY	Lucie		
SIZE	UNITS	DWG NO. PDP02-10	SHEET 1 / 2	SCALE 1:1	REV C2
A4	mm[only]				



1 2 3 4 5 6 7 8

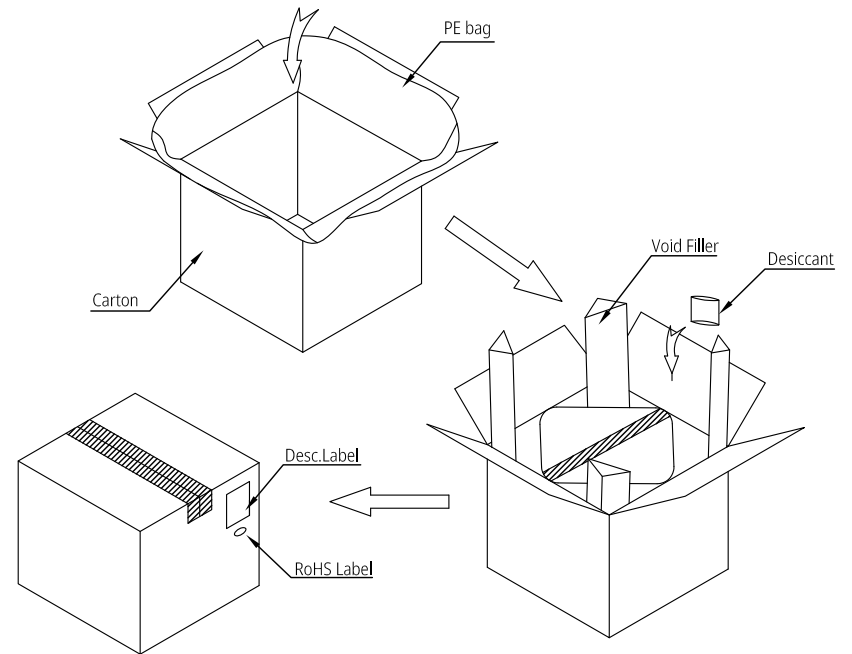
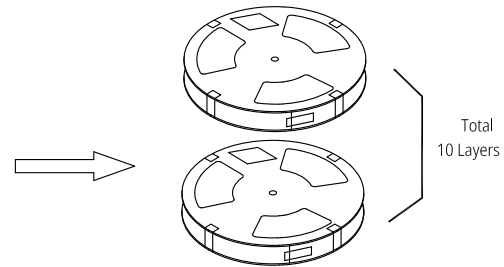


Gather Material Direction Input Material Direction



Notes:

1. The start and end of each Reel, Based on the actual quantity, Reserved 10~20 Pcs space,
2. Cover Tape and Carry Tape peel: 10gf~130gf, Peel Deg.:165°~175°, Peel speed: 250~300mm/min.,
3. Carton size: 350*350*380mm. K=K,
4. Q'ty: 450 Pcs/Reel, 10 Reels/Carton, Total 4,500 Pcs/Carton.



THIS DRAWING AND SPECIFICATION ARE THE PROPERTY OF Prolanv AND SHALL NOT BE COPIED OR USED WITHOUT Prolanv PERMISSION	GENERAL TOLERANCES UNLESS SPECIFIED		PART NO.		Prolanv®		
	X ± 0.30	X° ± 3°	PDP0210X000X				
	.XX ± 0.20	.X° ± 2°	APPROVED BY		TITLE 0.5Pitch Displayport 20Pin Rec. Mid-Mount. SMT Type Packaging		
	.XXX ± 0.05	.XX° ± 1°	Kysin				
	CUSTOMER DRAWING		CHECKED BY		DWG NO. P-PDP02-10		
			Harry				
SIZE	UNITS	DRAWN BY			SHEET 2 / 2	SCALE N/A	REV C2
A4	mm[only]	Lucie					