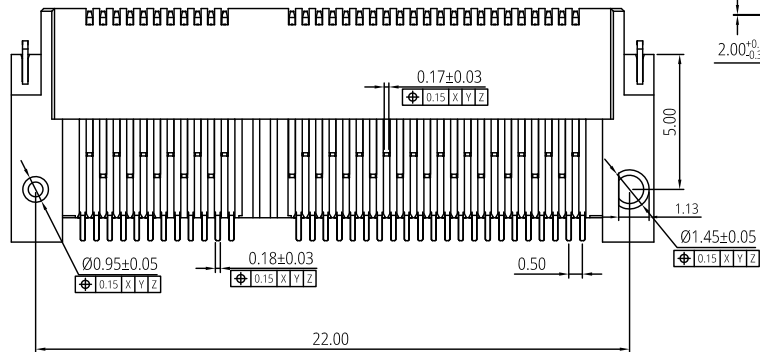
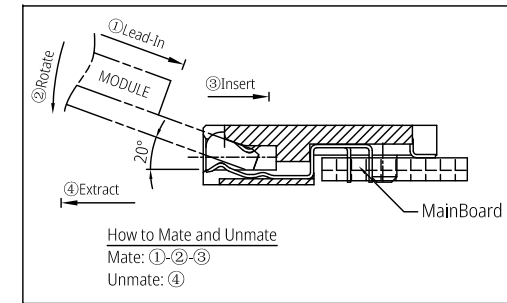
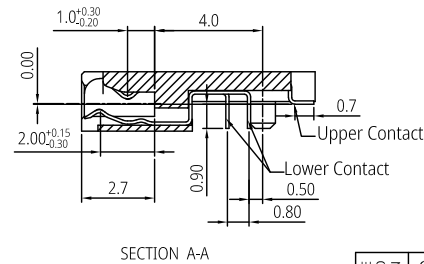
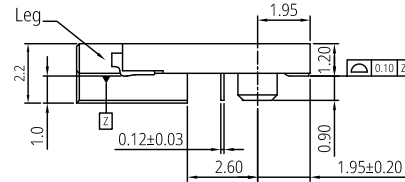
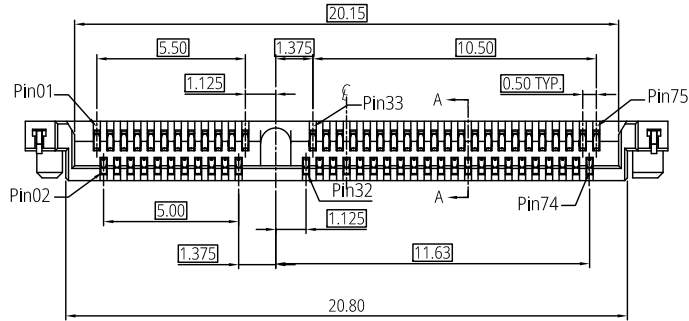
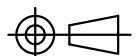
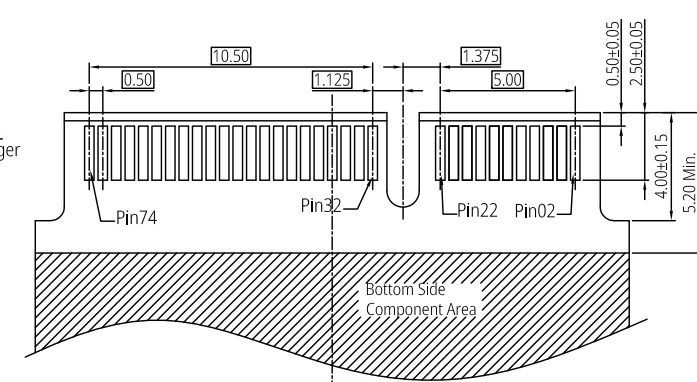
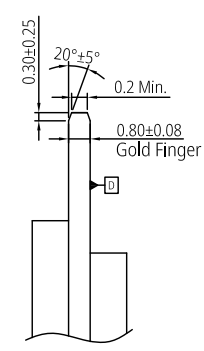
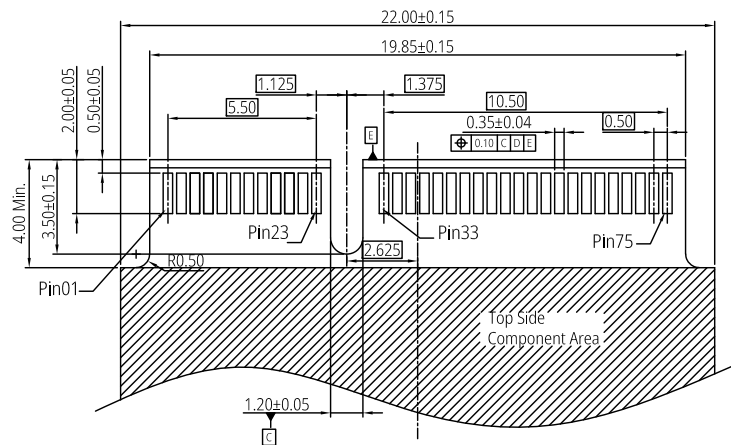


Part Number: PHN12103E10X
 Contact Plating Spec. Code:
 7: Gold Flash on Contact area, matte Tin 80µ" min. on Tails and 50µ" min. Nickel overall.
 9: Au 5µ" on Contact area, matte Tin 80µ" min. on Tails and 50µ" min. Nickel overall.
 A: Au 10µ" on Contact area, matte Tin 80µ" min. on Tails and 50µ" min. Nickel overall.

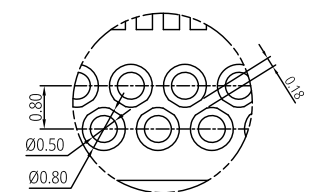
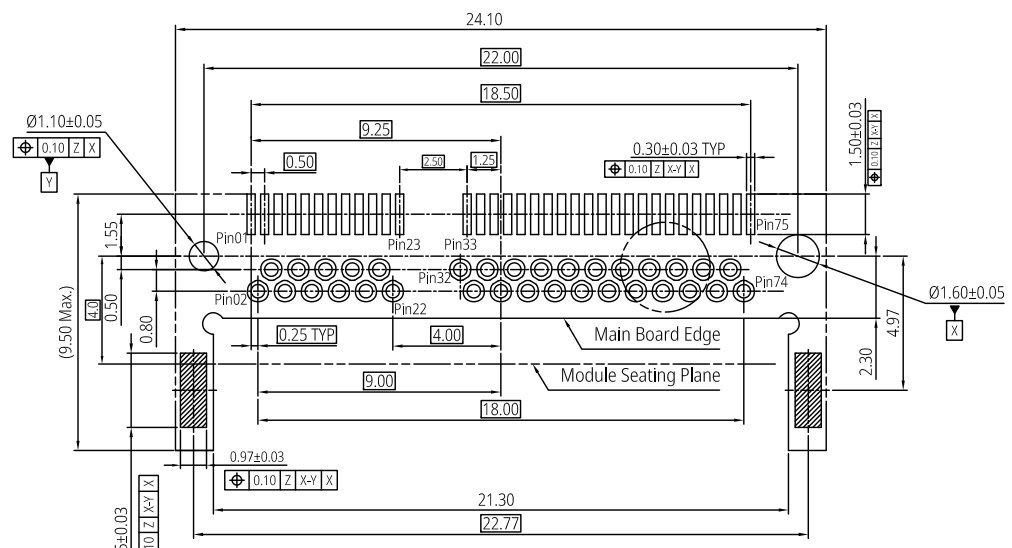
- Notes:
- Material Specification:
 - Housing: LCP+30% G.F UL94 V-0.
 - Contact: Copper Alloy (C5210) T=0.12mm.
 - Leg: Copper Alloy (C2680) T=0.20mm.
 - Plating Specification:
 - Contact: see P/N.
 - Leg: Matte Tin 50µ" min. overall, Nickel 50µ" min. underplated.
 - Mechanical Performance:
 - Insertion force: 20N max.
 - Withdrawal force: 20N max.
 - Durability: 60 cycles min.
 - Vibration:
 - No electrical discontinuity greater than 1u second shall occur;
 - Mechanical shock: 285G half sine/6 axis. no electrical discontinuity greater than 1u second shall occur;
 - Electrical Performance:
 - Current Rating: 0.5A (per pin).
 - Voltage Rating: 50V AC (per pin).
 - LLCR: Contact 55mΩ max.(initial), 20mΩ max. change allowed (final).
 - Insulation Resistance: 5,000MΩ min. at 500V DC.
 - Dielectric withstand voltage: 300V AC/60s.
 - IR Reflow:
 - The peak temperature on board shall be maintained for 10 seconds at 260±5°C.
 - Operating temperature range: -40°C~85°C(without loss function).
 - All parts RoHS and Reach compliant.



THIS DRAWING AND SPECIFICATION ARE THE PROPERTY OF Prolanv AND SHALL NOT BE COPIED OR USED WITHOUT Prolanv PERMISSION	GENERAL TOLERANCES UNLESS SPECIFIED		PART NO.	Prolanv®		
			PHN12103E10X			
	.X ± 0.30	X.° ± 3°	APPROVED BY	TITLE		
	.XX ± 0.20	X.° ± 2°	Kysin	NGFF Socket (M.2 Connector) 0.5Pitch, Mid-Mount 1.2H. STD. E-Key, Hybrid Type		
.XXX ± 0.05	.XX° ± 1°	CHECKED BY	DWG NO.			
CUSTOMER DRAWING		Harry	PHN12-13E			
SIZE	UNITS	DRAWN BY		SHEET	SCALE	REV
A4	mm[only]	Lucie		1 / 3	1:1	B3



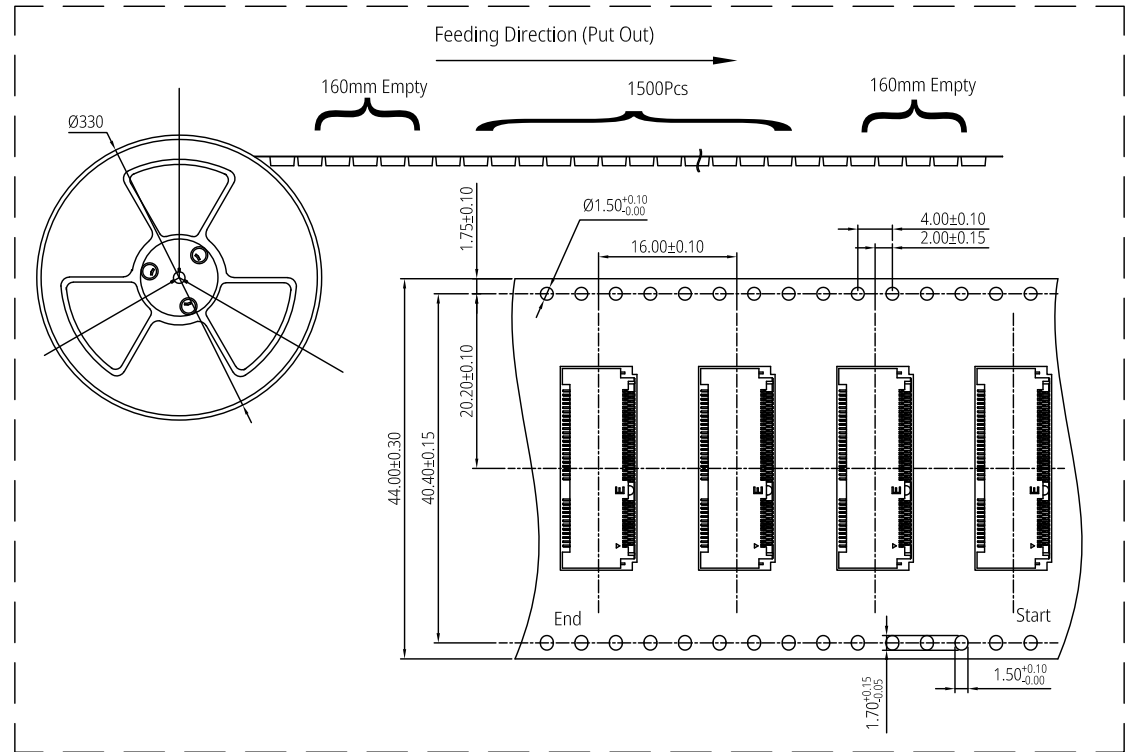
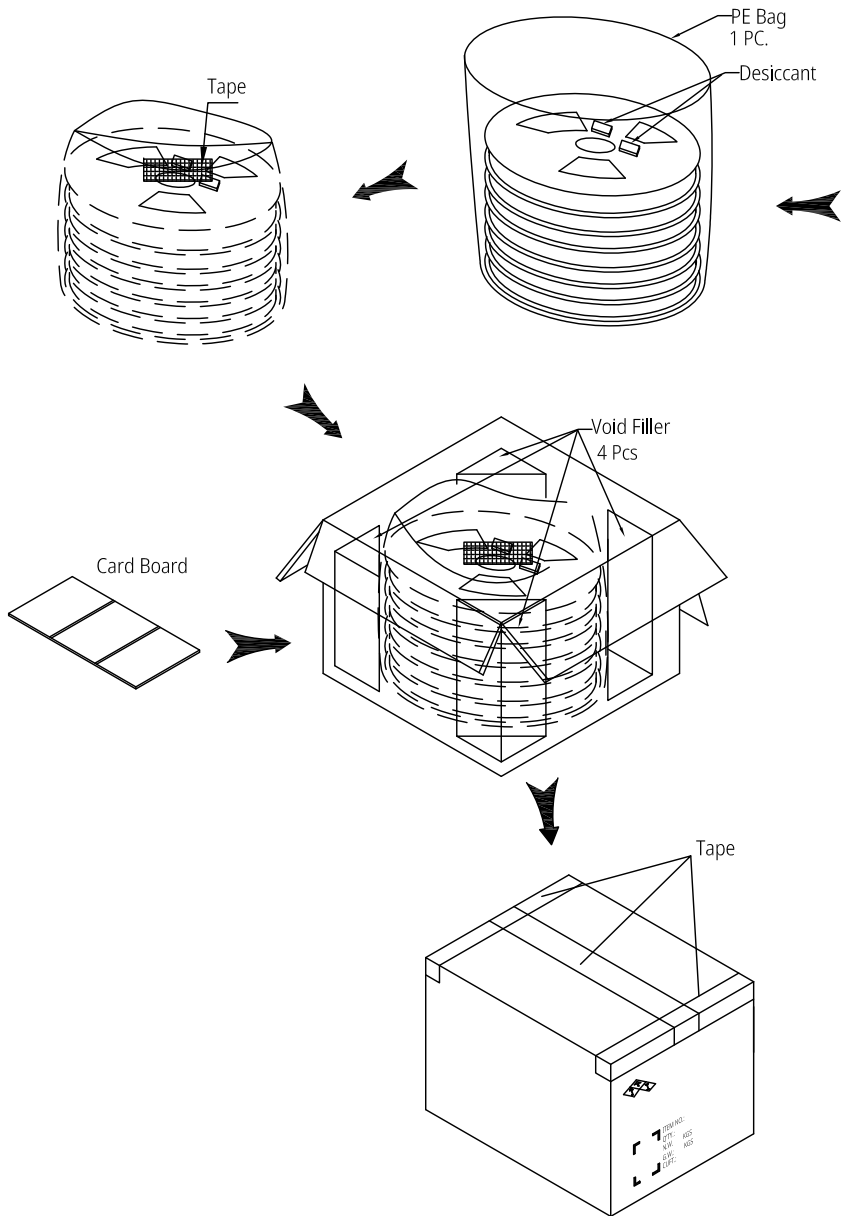
Recommended Mould Finger Layout
Default Tolerance: ±0.05mm



Recommended P.C.B Layout (Top View)
Default Tolerance: ±0.05mm

THIS DRAWING AND SPECIFICATION ARE THE PROPERTY OF Prolanv AND SHALL NOT BE COPIED OR USED WITHOUT Prolanv PERMISSION

GENERAL TOLERANCES UNLESS SPECIFIED		PART NO.	Prolanv®		
.X ± 0.30	X° ± 3°	PHN12103E10X			
.XX ± 0.20	X° ± 2°	APPROVED BY	TITLE NGFF Socket (M.2 Connector) 0.5Pitch, Mid-Mount 1.2H. STD. E-Key, Layout		
.XXX ± 0.05	.XX° ± 1°	Kysin	DWG NO. PHN12-13E		
CUSTOMER DRAWING		CHECKED BY	A		
SIZE A4		UNITS mm[only]	DRAWN BY		Lucie
				SHEET 2 / 3	
				SCALE 1:1	
				REV B3	



Notes:

1. Peel off force of top tape: 0.1~1.3N.
2. Carton size: 350*350*380mm. K=K.
3. 1,500 Pcs/Reel, 10,500 Pcs/Carton.

THIS DRAWING AND SPECIFICATION ARE THE PROPERTY OF Prolanv AND SHALL NOT BE COPIED OR USED WITHOUT Prolanv PERMISSION	GENERAL TOLERANCES UNLESS SPECIFIED		PART NO.	Prolanv®						
	$.X \pm 0.30$	$X^\circ \pm 3^\circ$	PHN12103E10X							
	$.XX \pm 0.20$	$X^\circ \pm 2^\circ$	APPROVED BY	TITLE						
	$.XXX \pm 0.05$	$.XX^\circ \pm 1^\circ$	Kysin	NGFF Socket (M.2 Connector) 0.5Pitch, Mid-Mount 1.2H. STD. E-Key, Packaging						
CUSTOMER DRAWING		CHECKED BY	DWG NO.	<table border="1"> <tr> <td>SHEET</td> <td>SCALE</td> <td>REV</td> </tr> <tr> <td>3 / 3</td> <td>NA</td> <td>B3</td> </tr> </table>	SHEET	SCALE	REV	3 / 3	NA	B3
SHEET	SCALE	REV								
3 / 3	NA	B3								
SIZE	UNITS	DRAWN BY								
A4	mm[only]	Lucie								