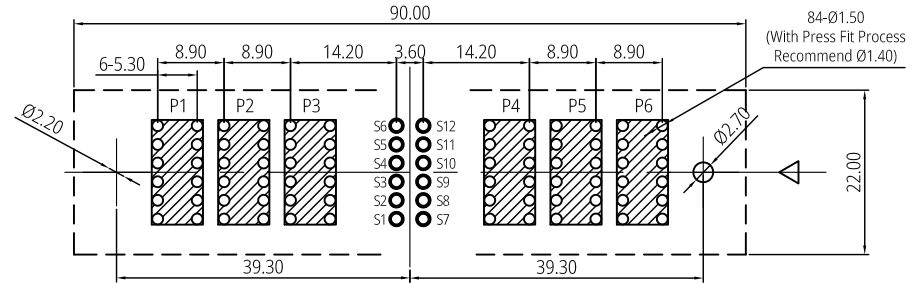
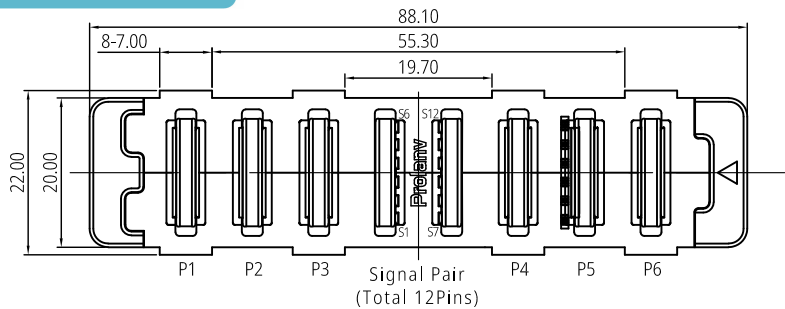


Patented product
 专利产品

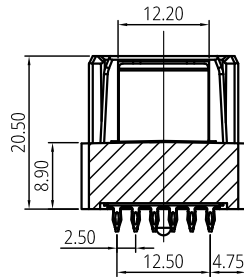
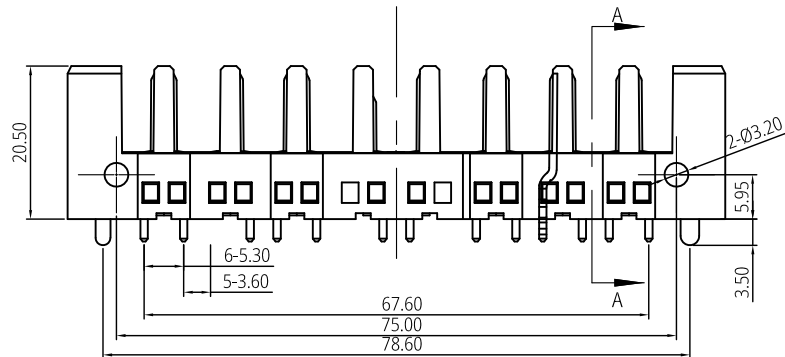


Recommended P.C.B layout (Top View)
 Tolerance ±0.05

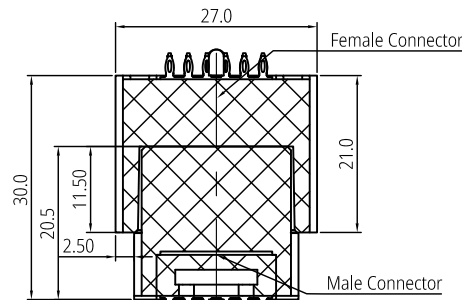
Notes:

- Material Specification
 - Housing: High Temperature Thermoplastic, UL94 V-0, Black.
 - Contact: High Conductivity Copper Alloy.
- Plating Specification:
 - Contact: Au30µ" plating on Contact area, matte Tin 80µ" min. on Tails, and 50µ" min, Nickel overall.
- Electrical performance
 - Voltage Rating: 600v DC/250v AC/Power Blade, 120v AC/DC/Signal Pin.
 - Current Rating: 150A Max./per Power Blade, 7.5A Max/Per Signal Pin.
 - LLCR: initial 0.5mΩ max., finished 1.0mΩ max.(per Power Blade), initial 10mΩ max., finished 20mΩ max.(per Signal Pin).
 - Dielectric Withstanding Voltage: 2000v DC rms/Power Blade, 500v DC rms/Signal Pin.
 - Insulation Resistance: 5000 MΩ min/power blade.
- Mechanical Performance:
 - Insertion force: 39.2N (4.0kgf)/Per Pair, max.
 - Withdrawal force: 4.9N~34.3N (0.5~3.5kgf)/Per Pair.
 - Durability life: 5,000 cycles.
- IR Reflow:

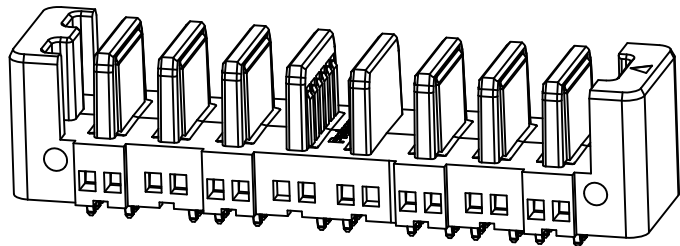
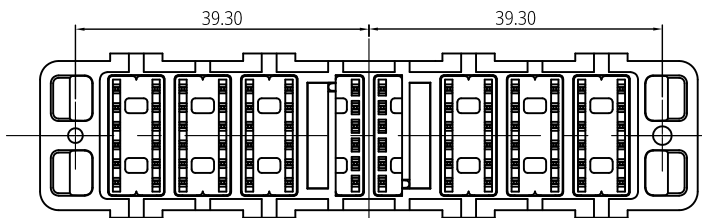
The peak temperature on board shall be maintained for 10 seconds at 260±5°C.
- Operating Temperature Range: -40~125°C(without loss function).
- All parts RoHS and Reach compliant.



Section A-A

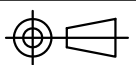


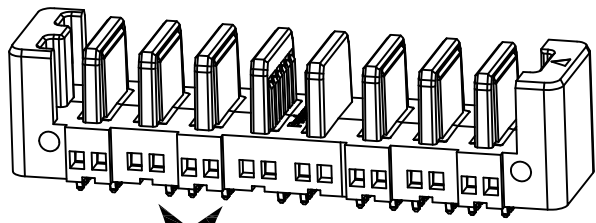
Mating View



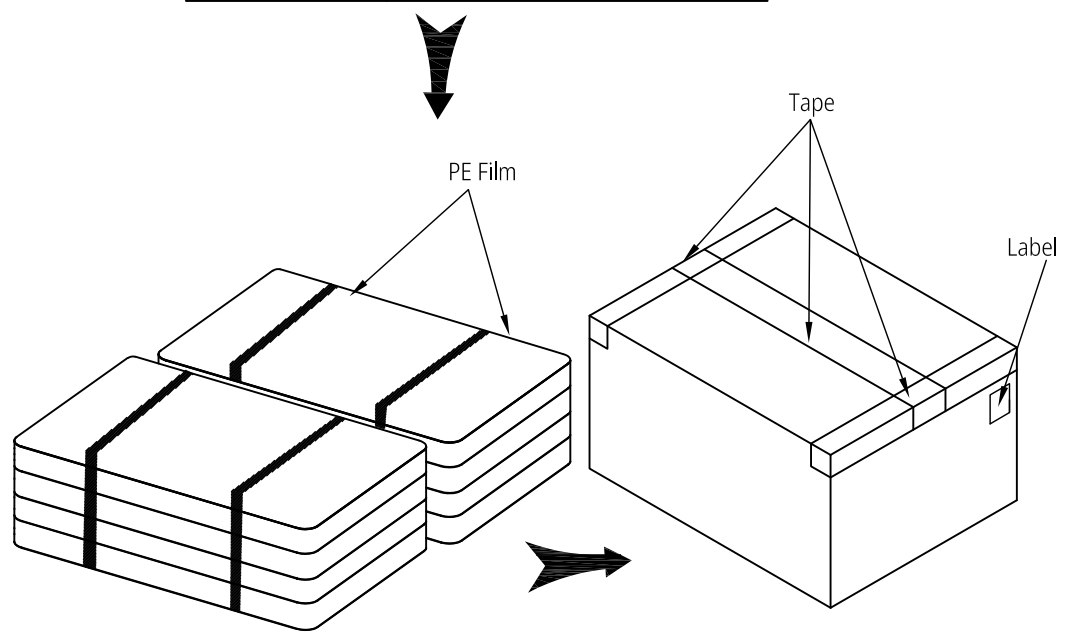
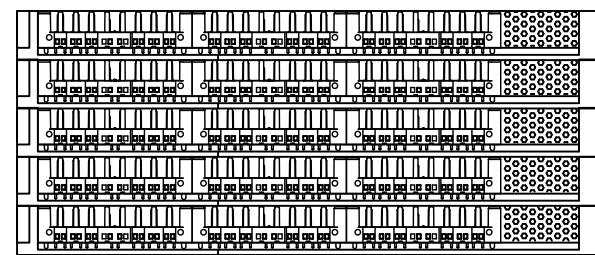
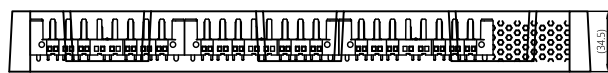
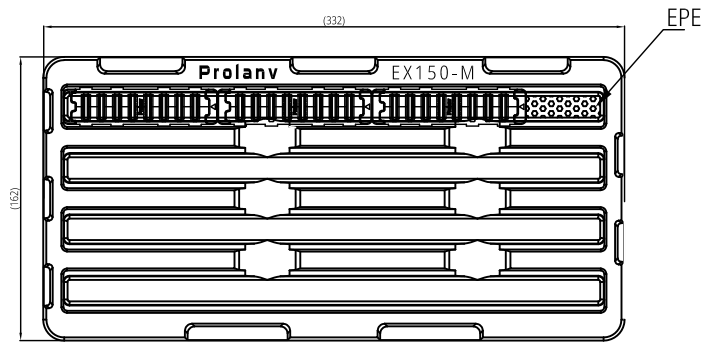
3D View

THIS DRAWING AND SPECIFICATION ARE THE PROPERTY OF Prolanv AND SHALL NOT BE COPIED OR USED WITHOUT Prolanv PERMISSION

GENERAL TOLERANCES UNLESS SPECIFIED		PART NO.	Prolanv [®]		
X ± 0.30	X.° ± 3°	PDC3730F0001			
.XX ± 0.20	.X.° ± 2°	APPROVED BY	TITLE EX150 Series Hi-Current Power Male. H20.5mm, 6PW+12S Vertical Type		
.XXX ± 0.05	.XX.° ± 1°	Mike			
CUSTOMER DRAWING		CHECKED BY	DWG NO. PDC37-30		
		Harry			
SIZE	UNITS	DRAWN BY	 SHEET SCALE REV 1 / 2 1:1 A1		
A4	mm[only]	Poplar			



12 Pcs/Tray



Notes:

1. Q'ty: 12 Pcs/Tray, 2x5 Layers=120 Pcs/Carton.
2. Tray Pallet size: 332*162mm.
3. Carton size: 350*350*155mm.

THIS DRAWING AND SPECIFICATION ARE THE PROPERTY OF Prolanv AND SHALL NOT BE COPIED OR USED WITHOUT Prolanv PERMISSION

GENERAL TOLERANCES UNLESS SPECIFIED		PART NO.	Prolanv [®]			
X ± 0.30	X° ± 3°	PDC3730F0001				
.XX ± 0.20	.X° ± 2°	APPROVED BY	TITLE			
.XXX ± 0.05	.XX° ± 1°	Mike	EX150 Series Hi-Current Power Male. H20.5mm, 6PW+12S Packaging			
CUSTOMER DRAWING		CHECKED BY	DWG NO.			
		Harry	P-PDC37-30			
SIZE	UNITS	DRAWN BY		SHEET	SCALE	REV
A4	mm[only]	Poplar		2 / 2	N/A	A1