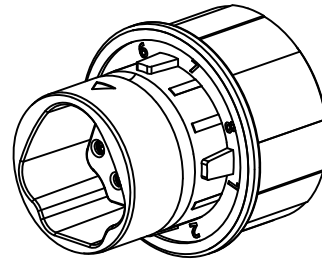
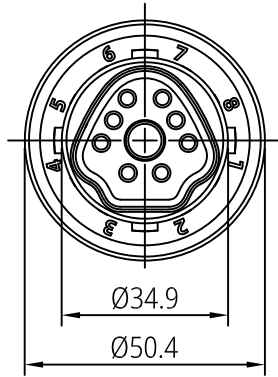


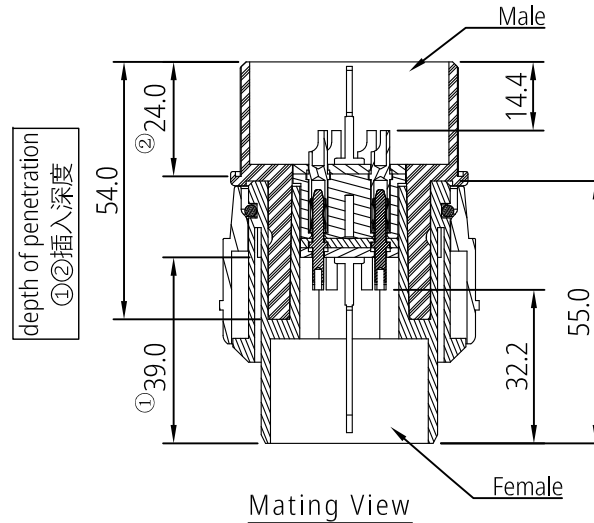
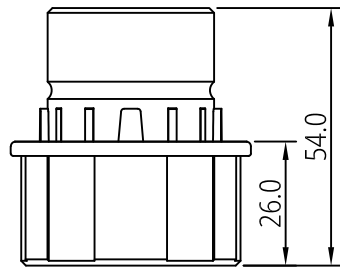
5 秒快拆 | 自动锁定
Quick fit | Autolock

Patented product
专利产品

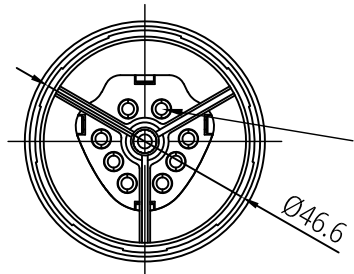
快拆 | 抗振 | 防水 | 耐久 | 自锁定
Quick Fit | Anti-Vibration | WaterProof
Durability | Autolocking



3D View



Mating View



Recommended
16 or 14AWG

Notes:

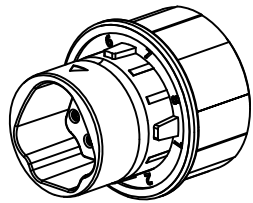
- Material Specification
 - Housing: High Temperature Thermoplastic. UL94 V-0, Black.
 - Contact: High Conductivity Copper Alloy.
 - Screw & Nut: Alloy.
- Plating Specification: Contact: Gold plating overall.
- Electrical performance
 - Voltage Rating: 250V DC max.
 - Current Rating: 35A/Per Pin.
 - LLCR: 1.2mΩ max. at working height.
 - Dielectric Withstanding Voltage: 1500v DC rms/Power Pin.
 - Insulation Resistance: 5000 MΩ min/Power Pin.
- Mechanical Performance:
 - Insertion force: 98N (10kgf) (max).
 - Withdrawal force: 19.6N~63.7N (2.0~6.5 kgf).
 - Durability life: 5,000 cycles.
- Waterproof grade: IPX5 in the mate connectors module state.
- Operating Temperature Range: -40~125°C.
- All parts RoHS and Reach compliant.

THIS DRAWING AND SPECIFICATION ARE THE PROPERTY OF Prolanv AND SHALL NOT BE COPIED OR USED WITHOUT Prolanv PERMISSION

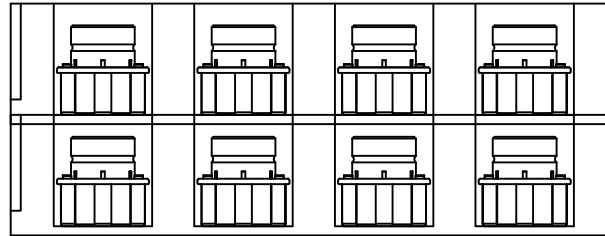
GENERAL TOLERANCES UNLESS SPECIFIED		PART NO.		Prolanv®		
PAW0510C0001		APPROVED BY				
X ± 0.30	X.° ± 3°	Mike		AW40 Male. Wire-Harness Type. connector module		
.XX ± 0.20	.X.° ± 2°	CHECKED BY		DWG NO.		
.XXX ± 0.05	.XX.° ± 1°	Henry		PAW05-10		
CUSTOMER DRAWING		DRAWN BY				
SIZE	UNITS	Poplar				
A4	mm[only]			1 / 2	1:1	A3

Patented product
专利产品

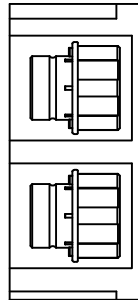
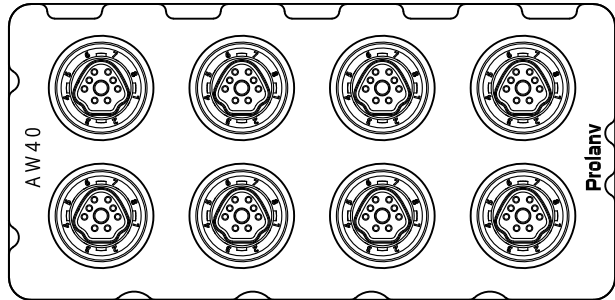
快拆 | 抗振 | 防水 | 耐久 | 自锁定
 Quick Fit | Anti-Vibration | WaterProof
 Durability | Autolocking



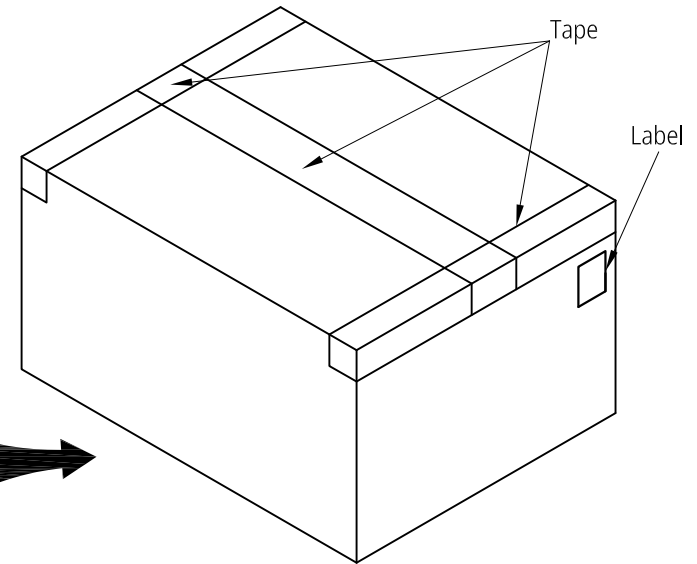
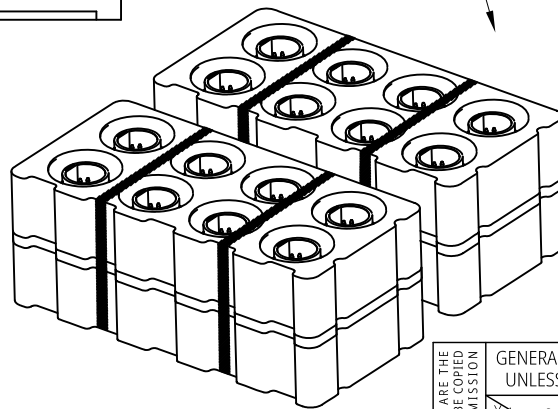
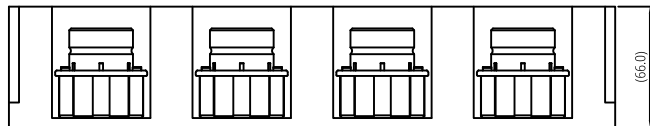
8 Pcs/Tray



Total: 2x2 Layers



PE Film



Notes:

1. Q'ty:8 Pcs/Tray, 2x2 Layers=32 Pcs/Carton.
2. Tray Pallet size: 330*160mm.
3. Carton size: 350*350*155mm.

THIS DRAWING AND SPECIFICATION ARE THE PROPERTY OF Prolanv AND SHALL NOT BE COPIED OR USED WITHOUT Prolanv PERMISSION

GENERAL TOLERANCES UNLESS SPECIFIED		PART NO.	Prolanv [®]		
X± 0.30	X°± 3°	PAW0510C0001			
.XX± 0.20	.X°± 2°	APPROVED BY	TITLE AW40 Male.Wire-Harness Type. connector module Packaging		
.XXX± 0.05	.XX°± 1°	Mike	DWG NO. P-PAW05-10		
CUSTOMER DRAWING		CHECKED BY	REV		
		Henry	2 / 2		
SIZE	UNITS	DRAWN BY	SCALE		
A4	mm[only]	Poplar	N/A		
			A3		