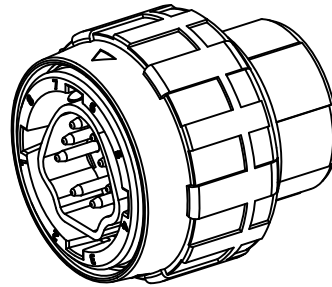
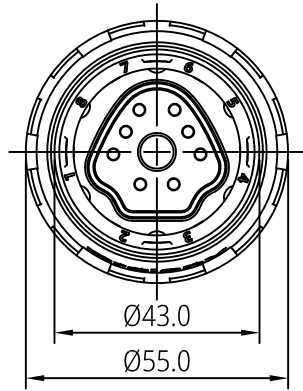
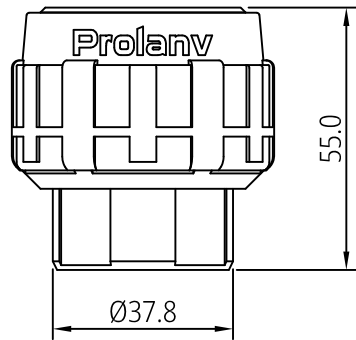


5 秒快拆 | 自动锁定
Quick fit | Autolock

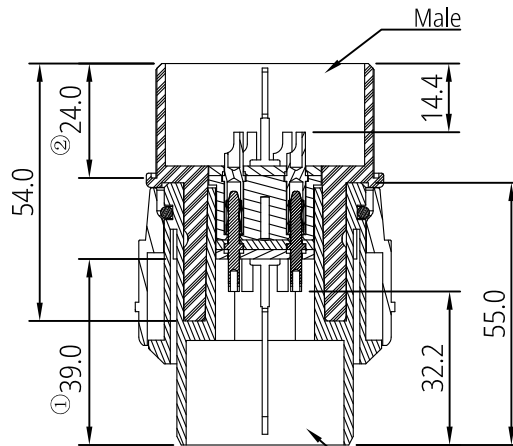
Patented product
专利产品
快拆 | 抗振 | 防水 | 耐久 | 自锁定
Quick Fit | Anti-Vibration | WaterProof
Durability | Autolocking



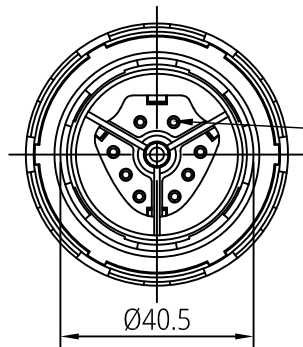
3D View



depth of penetration
①②插入深度



Mating View



Recommended
16 or 14AWG

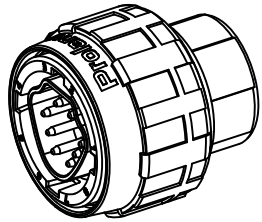
Notes:

- Material Specification
 - Housing: High Temperature Thermoplastic. UL94 V-0, Black.
 - Contact: High Conductivity Copper Alloy.
 - Screw & Nut: Copper Alloy.
 - Spring: Steel Alloy.
 - O-ring: Silica gel.
- Plating Specification: Contact: Gold plating overall.
- Electrical performance
 - Voltage Rating: 250V DC max.
 - Current Rating: 35A/Per Pin.
 - LLCR: 1.2mΩ max. at working height.
 - Dielectric Withstanding Voltage: 1500v DC rms/Power Pin.
 - Insulation Resistance: 5000 MΩ min/Power Pin.
- Mechanical Performance:
 - Insertion force: 98N (10kgf) (max).
 - Withdrawal force: 19.6N~63.7N (2.0~6.5 kgf).
 - Durability life: 5,000 cycles.
- Waterproof grade: IPX5 in the mate connectors module state.
- Operating Temperature Range: -40~125°C.
- All parts RoHS and Reach compliant.

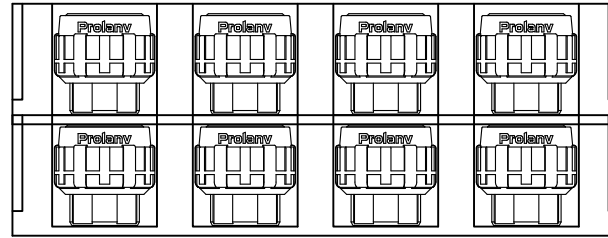
THIS DRAWING AND SPECIFICATION ARE THE PROPERTY OF Prolanv AND SHALL NOT BE COPIED OR USED WITHOUT Prolanv PERMISSION	GENERAL TOLERANCES UNLESS SPECIFIED		PART NO.	Prolanv®						
			PAW0610C0001							
	X ± 0.30	X.° ± 3°	APPROVED BY	TITLE						
	.XX ± 0.20	.X° ± 2°	Mike	AW40 Female. Wire-Harness Type. connector module						
.XXX ± 0.05	.XX° ± 1°	CHECKED BY	DWG NO.	<table border="1" style="font-size: 8px;"> <tr> <td>SHEET</td> <td>SCALE</td> <td>REV</td> </tr> <tr> <td>1 / 2</td> <td>1:1</td> <td>A3</td> </tr> </table>	SHEET	SCALE	REV	1 / 2	1:1	A3
SHEET	SCALE	REV								
1 / 2	1:1	A3								
CUSTOMER DRAWING		Henry	PAW06-10							
SIZE	UNITS	DRAWN BY								
A4	mm[only]	Poplar								

Patented product
专利产品

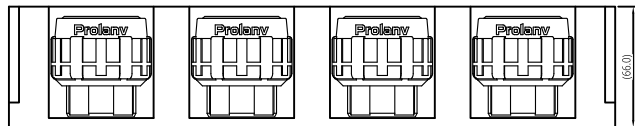
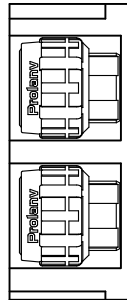
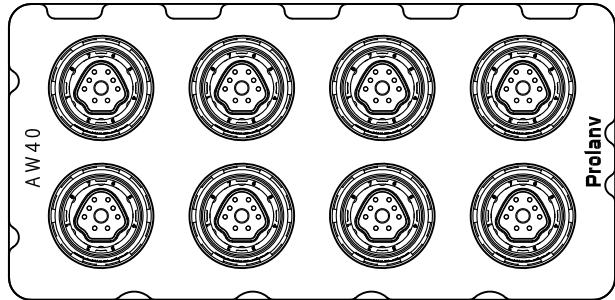
快拆 | 抗振 | 防水 | 耐久 | 自锁定
 Quick Fit | Anti-Vibration | WaterProof
 Durability | Autolocking



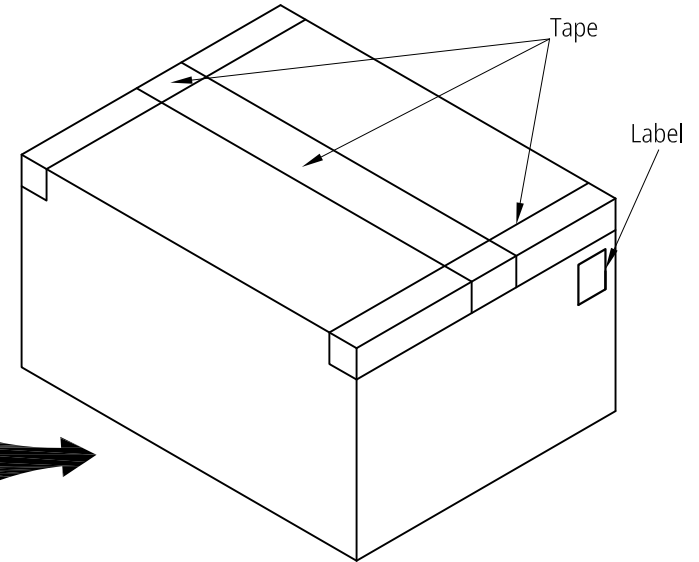
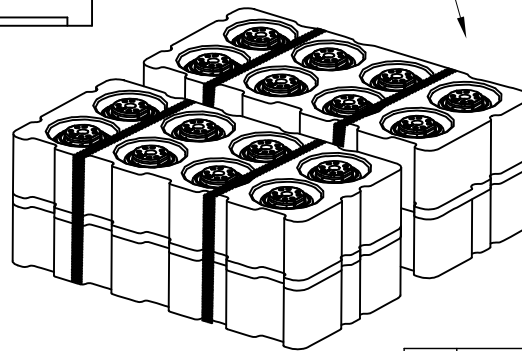
8 Pcs/Tray



Total: 2x2 Layers



PE Film



Notes:

1. Q'ty: 8 Pcs/Tray, 2x2 Layers=32 Pcs/Carton.
2. Tray Pallet size: 330*160mm.
3. Carton size: 350*350*155mm.

THIS DRAWING AND SPECIFICATION ARE THE PROPERTY OF Prolanv AND SHALL NOT BE COPIED OR USED WITHOUT Prolanv PERMISSION	GENERAL TOLERANCES UNLESS SPECIFIED		PART NO.	Prolanv®		
	$X \pm 0.30$	$X^\circ \pm 3^\circ$	PAW0610C0001			
	$.XX \pm 0.20$	$X^\circ \pm 2^\circ$	APPROVED BY	TITLE		
	$.XXX \pm 0.05$	$.XX^\circ \pm 1^\circ$	Mike	AW40 Female. Wire-Harness Type. connector module Packaging		
	CUSTOMER DRAWING	CHECKED BY	Henry	DWG NO.		
SIZE	UNITS	DRAWN BY	P-PAW06-10			
A4	mm[only]	Poplar		SHEET	SCALE	REV
				2 / 2	N/A	A3