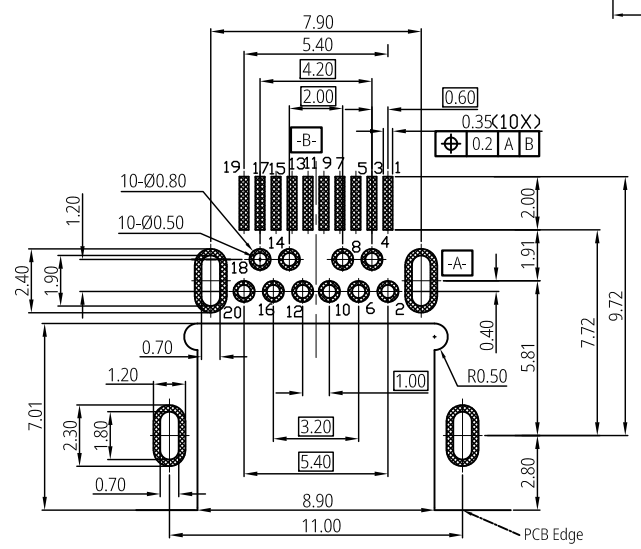
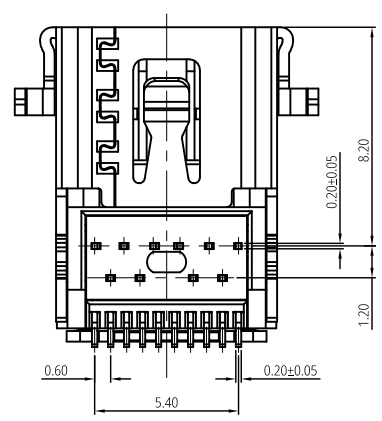
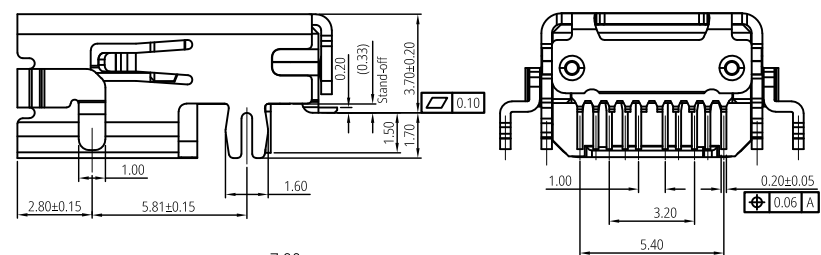
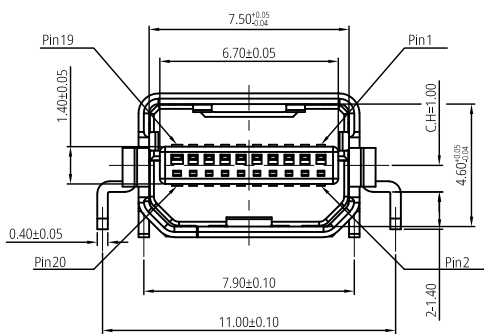


- Notes:
- Material Specification:
 - Housing: LCP+30% G.F UL94 V-0 Black.
 - Contact: Copper Alloy (C2680) T=0.20mm.
 - Shell: Stainless Steel (SUS304) T=0.40mm.
 - Plating Specification:
 - Contact: see P/N.
 - Shell: Nickel plated..
 - Mechanical Performance:
 - Insertion force: 44.1N (4.5kgf) max.
 - Withdrawal force: 9.8N-39.2(1.0-4.0kgf).
 - Durability: 5,000 cycles.
 - Electrical Performance:
 - Current rating: 0.5A.
 - LLCR: Contact: 30mΩ max.(initial), Shell: 50mΩ max(initial).
 - Insulation Resistance:
 - A:unmated: 100MΩ min. at 500V DC.
 - B:mated: 10MΩ min. at 150V DC.
 - Dielectric withstand voltage:
 - 150V AC/60s(mated), 250V AC/60s(unmated).
 - IR Reflow:
 - The peak temperature on board shall be maintained for 10 seconds at 260±5°C.
 - Operating temperature range: -35°C~105°C(without loss function).
 - All parts RoHS and Reach compliant.



Part Number: PDP0610X0001

Contact Plating Spec. Code:

A: Gold Flash on Contact area, matte Tin 60µ" min. on Tails, and 50µ" min. Nickel overall.

B: Au 5µ" on Contact area, matte Tin 60µ" min. on Tails and 50µ" min. Nickel overall.

1: Gold Flash on Contact area, and on Tails, and 50µ" min. Nickel overall.

Mini DisplayPort Connector Pin Assignment			
Pin Number	Signal Assignment	Pin Number	Signal Assignment
1	GND	2	In
3	Out	4	CONFIG
5	Out	6	CONFIG
7	GND	8	GND
9	Out	10	Out
11	Out	12	Out
13	GND	14	GND
15	Out	16	I/O
17	Out	18	I/O
19	GND	20	PWR Out

GENERAL TOLERANCES UNLESS SPECIFIED		PART NO.	
X ± 0.30	X.° ± 3°	PDP0610X0001	
.XX ± 0.20	.X° ± 2°	APPROVED BY	
.XXX ± 0.05	.XX° ± 1°	Kysin	
CUSTOMER DRAWING		CHECKED BY	
		Harry	
SIZE		DRAWN BY	
A4	UNITS	Lucie	
	mm[only]		

Prolanv®			
TITLE		Mini Displayport 20Pin Rec. 0.6Pitch, Mid-Mount, CH=1.0mm, Hybrid Type	
DWG NO.		PDP06-10	
	SHEET	SCALE	REV
	1 / 2	1:1	C1

THIS DRAWING AND SPECIFICATION ARE THE PROPERTY OF Prolanv AND SHALL NOT BE COPIED OR USED WITHOUT Prolanv PERMISSION

1 2 3 4 5 6 7 8

F

E

D

C

B

A

F

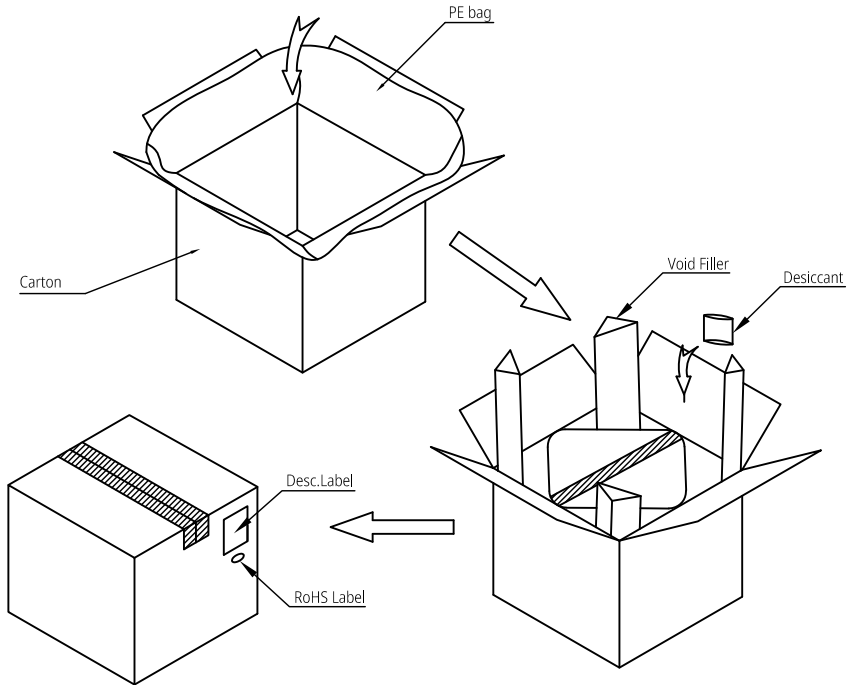
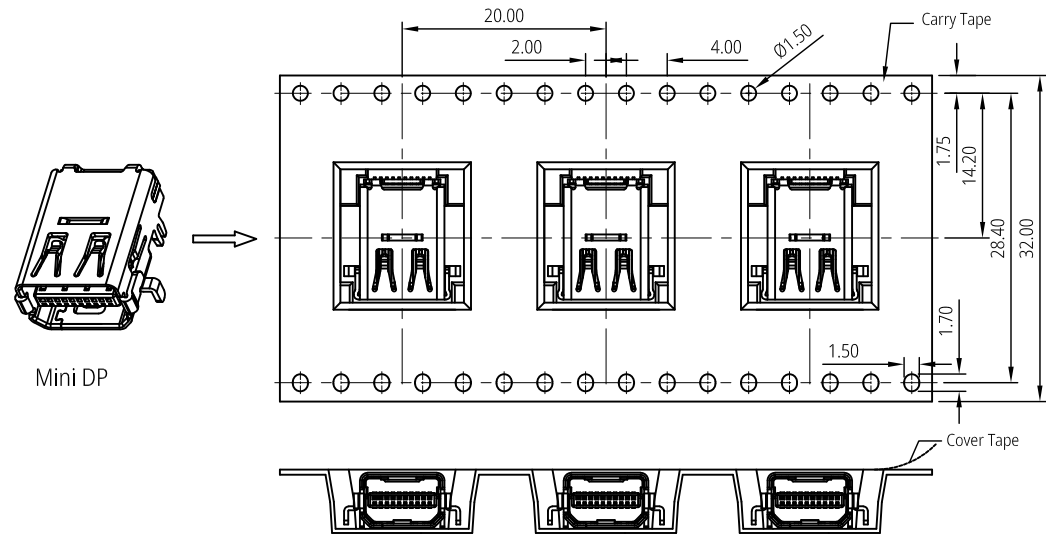
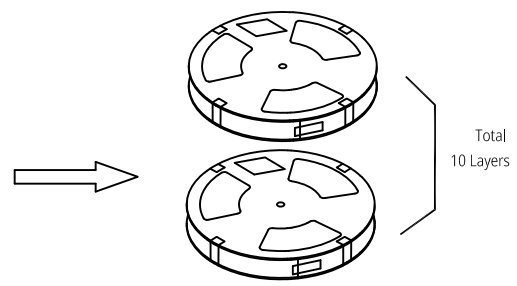
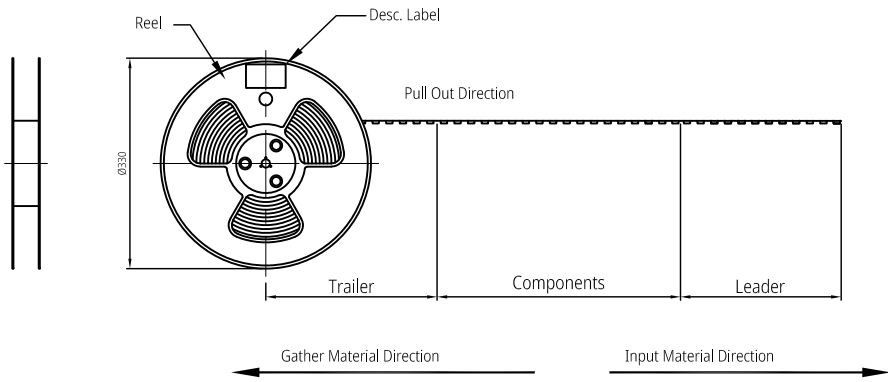
E

D

C

B

A



Notes:

- 1.The start and end of each Reel, Based on the actual quantity, Reserved 10~20 pcs space,
- 2.Cover Tape and Carry Tape peel: 10gf~130gf, Peel Deg.:165°~175°, Peel speed: 250~300mm/min.,
- 3.Carton size: 350*350*380mm. K=K,
- 4.Q'ty: 560 pcs/Reel, 10 Reels/Carton, Total 5,600 pcs/Carton.

THIS DRAWING AND SPECIFICATION ARE THE PROPERTY OF Prolanv AND SHALL NOT BE COPIED OR USED WITHOUT Prolanv PERMISSION	GENERAL TOLERANCES UNLESS SPECIFIED		PART NO.	Prolanv [®]		
	$X \pm 0.30$	$X^\circ \pm 3^\circ$	PDP0610X0001			
	$.XX \pm 0.20$	$X^\circ \pm 2^\circ$	APPROVED BY	TITLE		
	$.XXX \pm 0.05$	$.XX^\circ \pm 1^\circ$	Kysin	Mini Displayport 20Pin Rec. 0.6Pitch, Mid-Mount, CH=1.0mm, Hybrid Type Packaging		
	CUSTOMER DRAWING	CHECKED BY	Harry	DWG NO.		
SIZE	UNITS	DRAWN BY	P-PDP06-10			
A4	mm[only]	Lucie		SHEET	SCALE	REV
				2 / 2	NA	C1

1 2 3 4 5 6 7 8