

Notes:

1. Material Specification:
 - 1-1. Housing: LCP+30% G.F UL94 V-0.
 - 1-2. Contact: Copper Alloy (C5210) T=0.12mm.
 - 1-3. Leg: Copper Alloy (C2680) T=0.20mm.
2. Plating Specification:
 - 2-1. Contact: see P/N.
 - 2-2. Leg: Matte Tin 50μ" min. overall, Nickel 50μ" min. underplated.
3. Mechanical Performance:
 - 3-1. Insertion force: 20N max.
 - 3-2. Withdrawal force: 20N max.
 - 3-3. Durability: 60 cycles.
 - 3-4. Vibration:
 - No electrical discontinuity greater than 1u second. shall occur;
 - 3-5. Mechanical shock: 285G half sine/6 axis. no electrical discontinuity greater than 1u second shall occur;
4. Electrical Performance:
 - 4-1. Current Rating: 0.5A (per pin).
 - 4-2. Voltage Rating: 50V AC (per pin).
 - 4-3. LLCR: Contact 55 mΩ max.(initial), 20 mΩ max. change allowed (final).
 - 4-4. Insulation Resistance: 5,000 MΩ min. at 500V DC.
 - 4-5. Dielectric withstand voltage: 300V AC/60s.
5. IR Reflow:
 - The peak temperature on board shall be maintained for 10 seconds at 260±5°C.
6. Operating temperature range: -40°C~85°C(without loss function).
7. RoHS and Reach compliant.

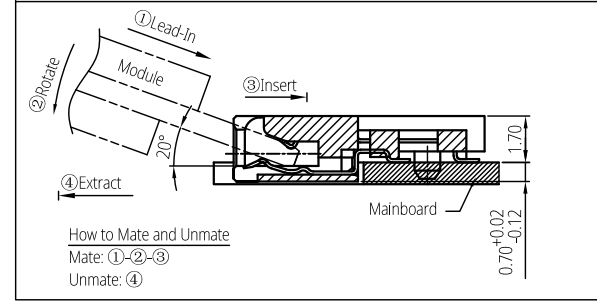
Part Number: PHN01101B00x

Contact Plating Spec. Code:

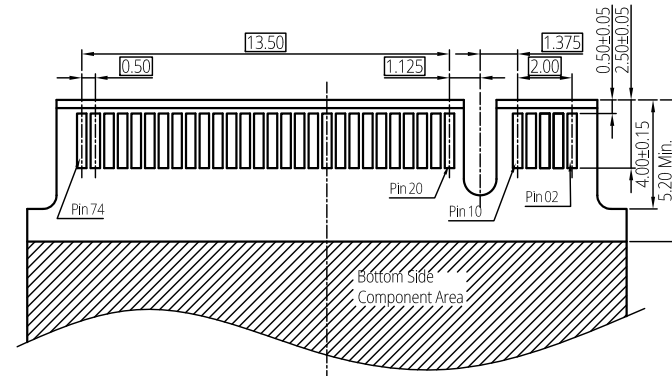
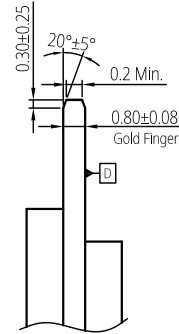
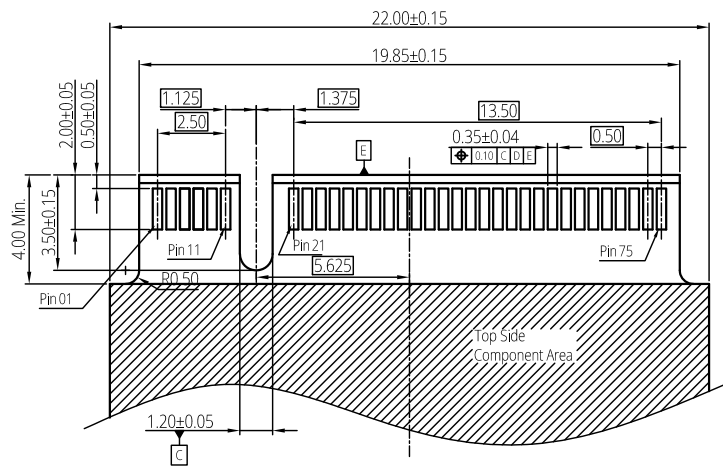
7: Gold Flash on Contact area, matte Tin 80μ" min. on Tails and 50μ" min. Nickel overall.

9: Au 5μ" on Contact area, matte Tin 80μ" min. on Tails and 50μ" min. Nickel overall.

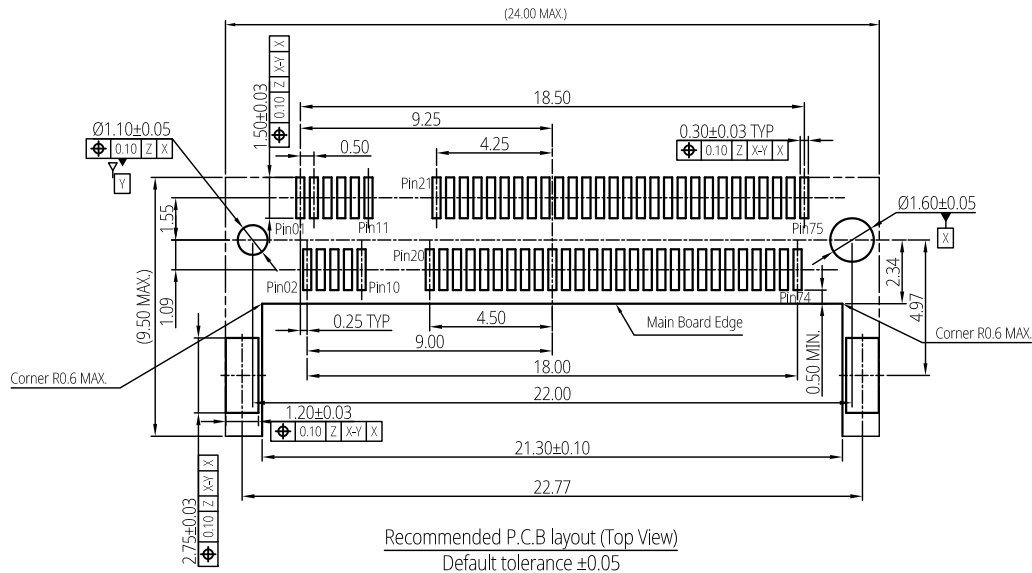
A: Au 10μ" on Contact area, matte Tin 80μ" min. on Tails and 50μ" min. Nickel overall.



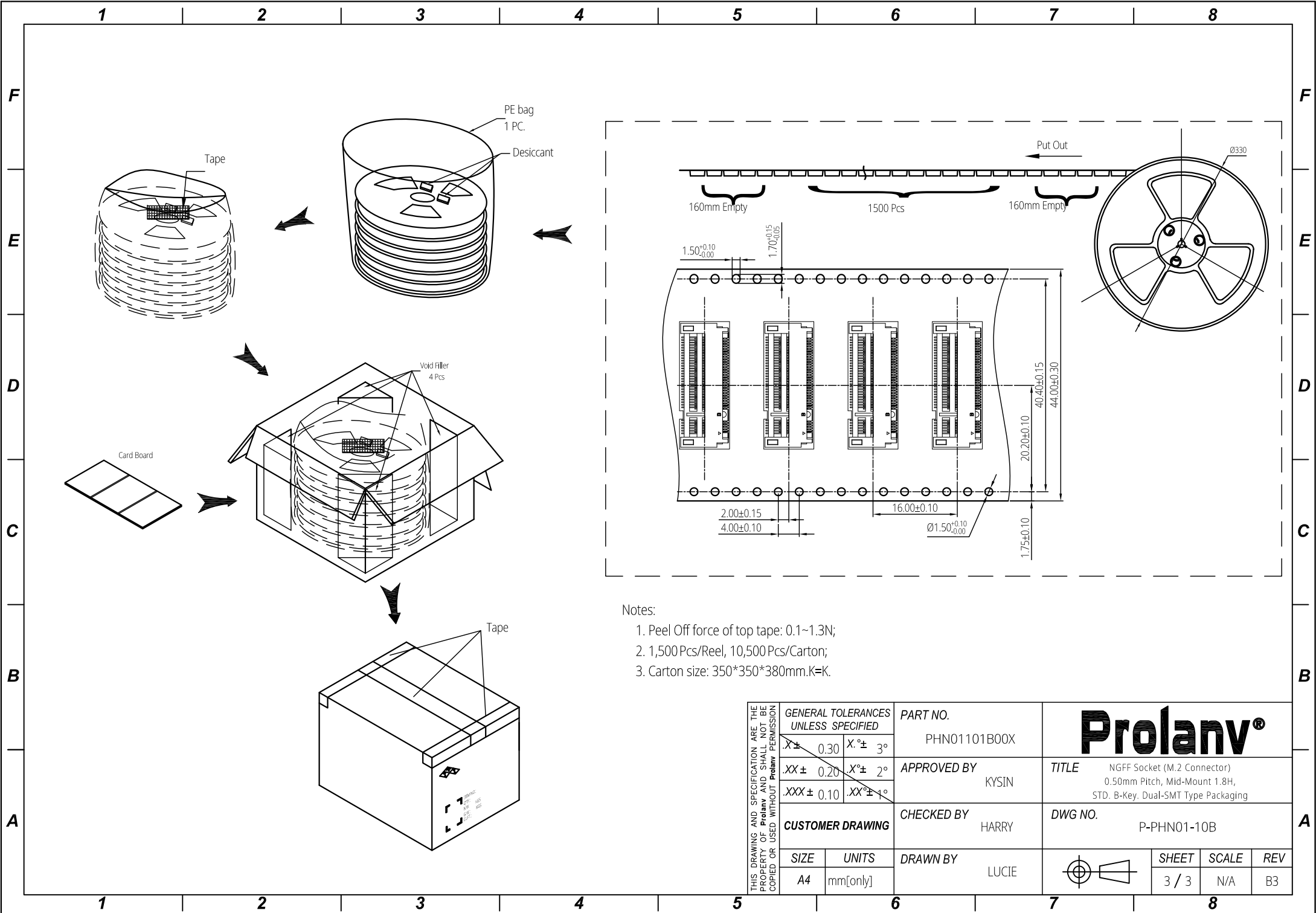
THIS DRAWING AND SPECIFICATION ARE THE PROPERTY OF Prolanv AND SHALL NOT BE COPIED OR USED WITHOUT Prolanv PERMISSION	GENERAL TOLERANCES UNLESS SPECIFIED		PART NO.		<h1>Prolanv®</h1>		
	.X ± 0.30	X.° ± 3°	PHN01101B00X				
	.XX ± 0.20	X.° ± 2°	APPROVED BY		TITLE NGFF Socket (M.2 Connector) 0.50mm Pitch, Mid-Mount 1.8H, STD. B-Key, Dual-SMT Type		
	.XXX ± 0.10	.XX° ± 1°	KYSIN				
CUSTOMER DRAWING		CHECKED BY		DWG NO.			
		HARRY		PHN01-10B			
SIZE	UNITS	DRAWN BY			SHEET	SCALE	REV
A4	mm[only]	LUCIE					



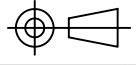
Recommended Module Finger Layout



THIS DRAWING AND SPECIFICATION ARE THE PROPERTY OF Prolanv AND SHALL NOT BE COPIED OR USED WITHOUT Prolanv PERMISSION	GENERAL TOLERANCES UNLESS SPECIFIED		PART NO.	Prolanv®		
	.X± 0.30 X°± 3°		PHN01101B00X			
	.XX± 0.20 X°± 2°		APPROVED BY	TITLE		
	.XXX± 0.10 .XX°± 1°		KYSIN	NGFF Socket (M.2 Connector) 0.50mm Pitch, Mid-Mount 1.8H, STD. B-Key. Dual-SMT Type Layout		
CUSTOMER DRAWING		CHECKED BY	DWG NO.	A		
		HARRY	PHN01-10B			
SIZE	UNITS	DRAWN BY				
A4	mm[only]	LUCIE				
				SHEET	SCALE	REV
				2 / 3	N/A	B3



- Notes:
1. Peel Off force of top tape: 0.1~1.3N;
 2. 1,500 Pcs/Reel, 10,500 Pcs/Carton;
 3. Carton size: 350*350*380mm.K=K.

THIS DRAWING AND SPECIFICATION ARE THE PROPERTY OF Prolanv AND SHALL NOT BE COPIED OR USED WITHOUT Prolanv PERMISSION	GENERAL TOLERANCES UNLESS SPECIFIED		PART NO.	<h1 style="margin: 0;">Prolanv®</h1>						
	.X ± 0.30	X° ± 3°	PHN01101B00X							
	.XX ± 0.20	X° ± 2°	APPROVED BY	TITLE NGFF Socket (M.2 Connector) 0.50mm Pitch, Mid-Mount 1.8H, STD. B-Key. Dual-SMT Type Packaging						
	.XXX ± 0.10	.XX° ± 1°	KYSIN							
CUSTOMER DRAWING		CHECKED BY	DWG NO.	P-PHN01-10B						
SIZE	UNITS	DRAWN BY	 <table border="1" style="font-size: small;"> <tr> <th>SHEET</th> <th>SCALE</th> <th>REV</th> </tr> <tr> <td>3 / 3</td> <td>N/A</td> <td>B3</td> </tr> </table>		SHEET	SCALE	REV	3 / 3	N/A	B3
SHEET	SCALE	REV								
3 / 3	N/A	B3								
A4	mm[only]	LUCIE								