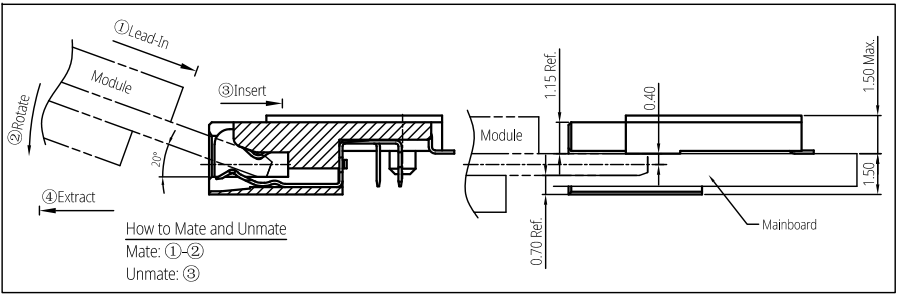
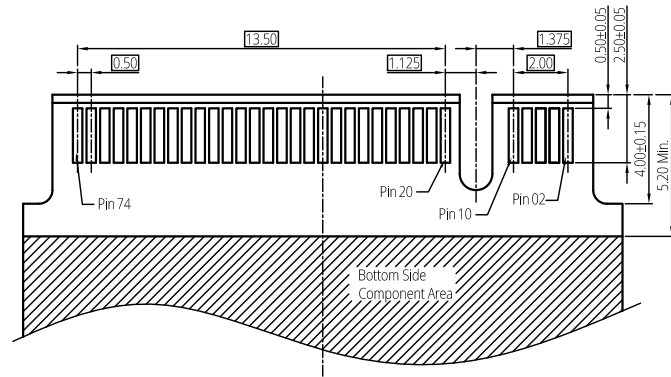
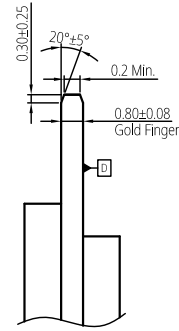
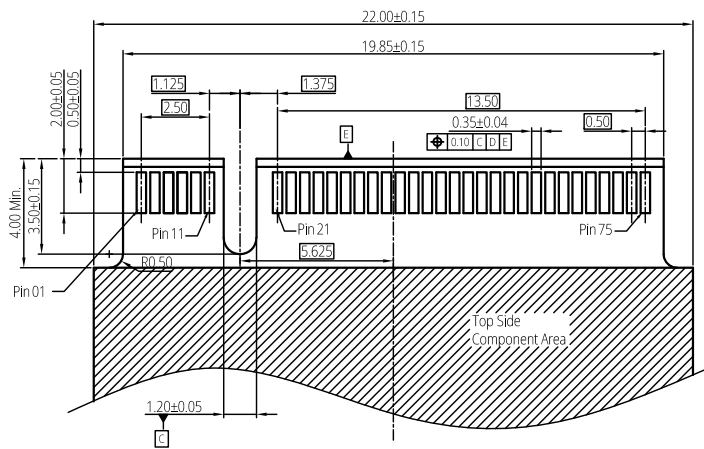


- Notes:
- Material Specification:
 - Housing: LCP+30% G.F UL94 V-0.
 - Contact: Copper Alloy(C5210) T=0.12mm.
 - Leg: Copper Alloy (C2680) T=0.20mm.
 - Plating Specification:
 - Contact: see P/N.
 - Leg: Matte Tin 50μ" min. overall, Nickel 50μ" min. underplated.
 - Mechanical Performance:
 - Insertion force: 20N max.
 - Withdrawal force: 20N max.
 - Durability: 60 cycles.
 - Vibration:
 - No electrical discontinuity greater than 1u second. shall occur;
 - Mechanical shock: 285G half sine/6 axis. no electrical discontinuity greater than 1u second shall occur;
 - Electrical Performance:
 - Current Rating: 0.5A (per pin).
 - Voltage Rating: 50V AC (per pin).
 - LLCR: Contact 55 mΩ max.(initial), 20 mΩ max. change allowed (final).
 - Insulation Resistance: 5,000 MΩ min. at 500V DC.
 - Dielectric withstand voltage: 300V AC/60s.
 - IR Reflow:
 - The peak temperature on board shall be maintained for 10 seconds at 260±5°C.
 - Operating temperature range: -40°C~85°C(without loss function).
 - RoHS and Reach compliant.

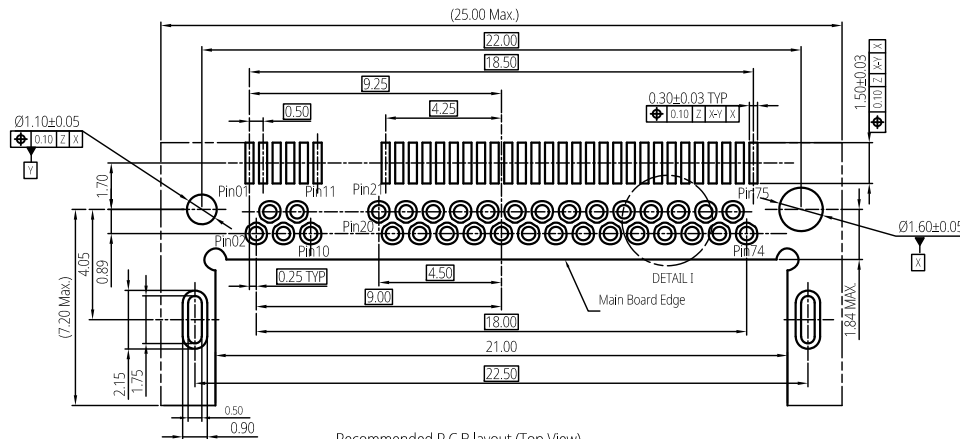
Part Number: PHN03102B20X
 Contact Plating Spec. Code:
 7: Gold Flash on Contact area, matte Tin 80μ" min. on Tails and 50μ" min. Nickel overall.
 9: Au 5μ" on Contact area, matte Tin 80μ" min. on Tails and 50μ" min. Nickel overall.
 A: Au 10μ" on Contact area, matte Tin 80μ" min. on Tails and 50μ" min. Nickel overall.



THIS DRAWING AND SPECIFICATION ARE THE PROPERTY OF Prolanv AND SHALL NOT BE COPIED OR USED WITHOUT Prolanv PERMISSION	GENERAL TOLERANCES UNLESS SPECIFIED		PART NO.		<h1>Prolanv®</h1>		
	.X ± 0.30	X.° ± 3°	PHN03102B20X				
	.XX ± 0.20	X.° ± 2°	APPROVED BY		TITLE NGFF Socket (M.2 Connector) 0.50mm Pitch, Mid-Mount 1.5H, STD. B-Key. Hybrid Type		
	.XXX ± 0.10	.XX° ± 1°	KYSIN				
CUSTOMER DRAWING		CHECKED BY		DWG NO.			
		HARRY		PHN03-12B			
SIZE	UNITS	DRAWN BY			SHEET	SCALE	REV
A4	mm[only]	LUCIE					

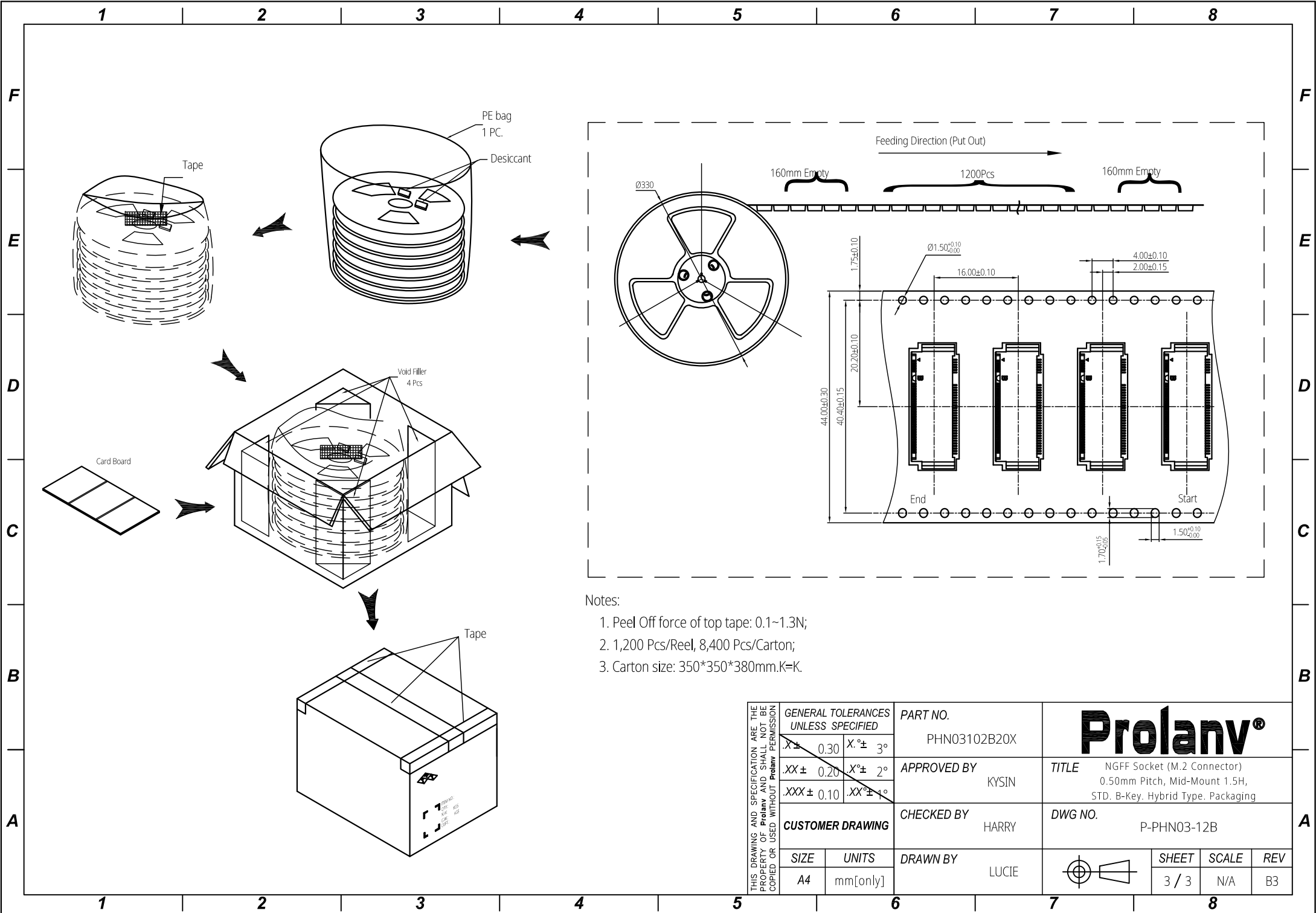


Recommended Module Finger Layout



Recommended P.C.B layout (Top View)
Default tolerance ±0.05

THIS DRAWING AND SPECIFICATION ARE THE PROPERTY OF Prolanv AND SHALL NOT BE COPIED OR USED WITHOUT Prolanv PERMISSION	GENERAL TOLERANCES UNLESS SPECIFIED		PART NO. PHN03102B20X	<h1>Prolanv®</h1>	
	.X± 0.30	X°± 3°			APPROVED BY KYSIN
	.XX± 0.20	X°± 2°	CHECKED BY HARRY	DWG NO. PHN03-12B	
	.XXX± 0.10	.XX°± 1°	DRAWN BY LUCIE	SHEET 2 / 3	SCALE N/A



Notes:

1. Peel Off force of top tape: 0.1~1.3N;
2. 1,200 Pcs/Reel, 8,400 Pcs/Carton;
3. Carton size: 350*350*380mm.K=K.

THIS DRAWING AND SPECIFICATION ARE THE PROPERTY OF Prolanv AND SHALL NOT BE COPIED OR USED WITHOUT Prolanv PERMISSION	GENERAL TOLERANCES UNLESS SPECIFIED .X ± 0.30 X° ± 3° .XX ± 0.20 X° ± 2° .XXX ± 0.10 .XX° ± 1°		PART NO. PHN03102B20X	<h1 style="margin: 0;">Prolanv®</h1>						
	CUSTOMER DRAWING		APPROVED BY KYSIN		TITLE NGFF Socket (M.2 Connector) 0.50mm Pitch, Mid-Mount 1.5H, STD. B-Key. Hybrid Type. Packaging					
	SIZE A4		UNITS mm[only]	CHECKED BY HARRY	DWG NO. P-PHN03-12B					
	DRAWN BY LUCIE				<table border="1" style="width: 100%; text-align: center;"> <tr> <td>SHEET</td> <td>SCALE</td> <td>REV</td> </tr> <tr> <td>3 / 3</td> <td>N/A</td> <td>B3</td> </tr> </table>	SHEET	SCALE	REV	3 / 3	N/A
SHEET	SCALE	REV								
3 / 3	N/A	B3								