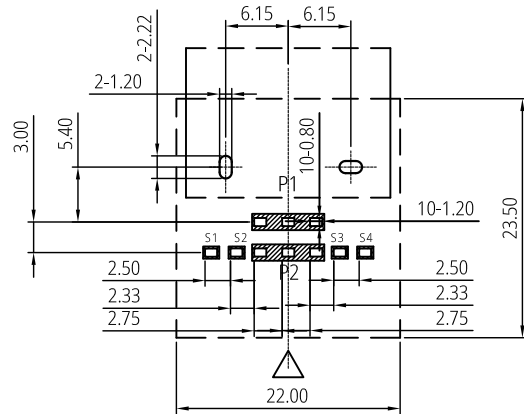
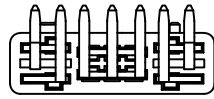
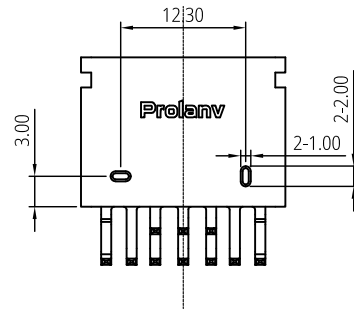
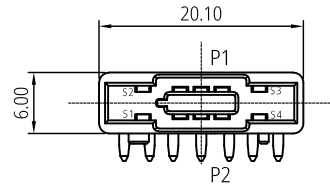
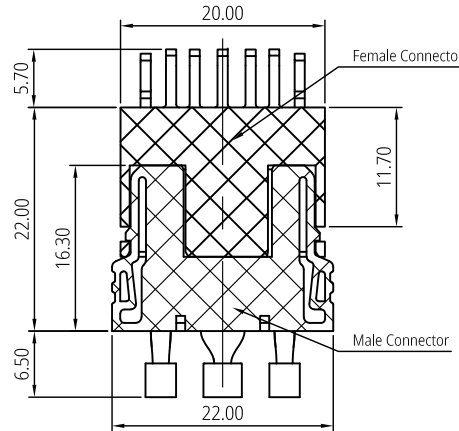
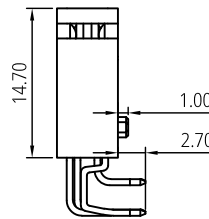


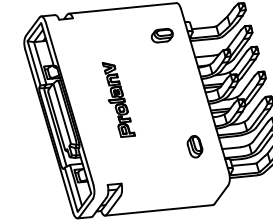
Patented product
专利产品



Recommended P.C.B layout (Top View)
 Tolerance ± 0.05



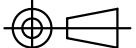
Mating View



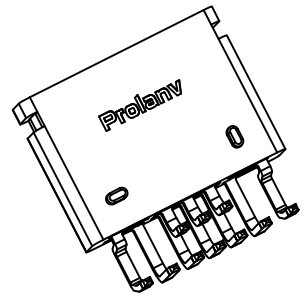
3D View

Notes:

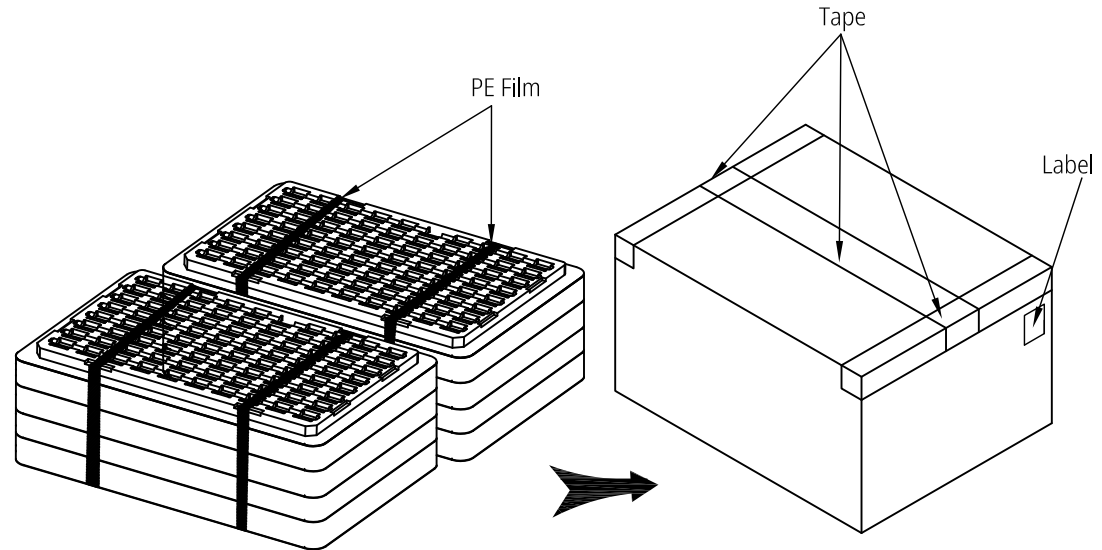
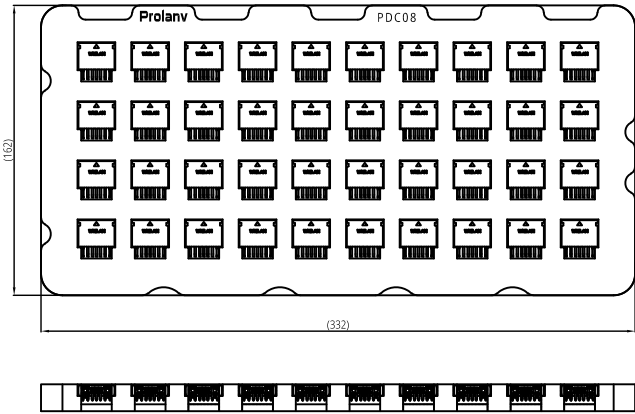
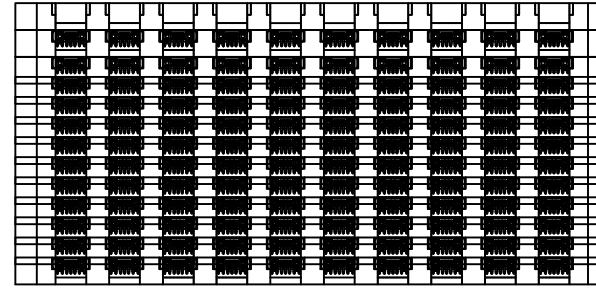
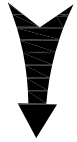
- Material Specification
 - Housing: High Temperature Thermoplastic. UL94 V-0, Black.
 - Contact: High Conductivity Copper Alloy.
- Plating Specification:
 - Contact: Gold plating on Contact area, matte Tin on Tails, Nickel overall.
- Electrical performance
 - Voltage Rating: 100v DC/ Power Blade, 60V AC/DC /Signal Pin.
 - Current Rating: 35A Max./Per Power Blade, 1A Max/Per Signal Pin.
 - LLCR: initial 1.0m Ω max., finished 2.0m Ω max.(per Power Blade); initial 10m Ω max., finished 20m Ω max.(per Signal Pin).
 - Dielectric Withstanding Voltage: 1500v DC rms/Power Blade; 500v DC rms/Signal Pin.
 - Insulation Resistance: 5000 M Ω min/power blade;
- Mechanical Performance:
 - Insertion force: 49N (5.0 kgf) max.
 - Withdrawal force: 4.9N~39.2N (0.5~4.0kgf).
 - Durability life: 2,000 cycles.
- IR Reflow: The peak temperature on board shall be maintained for 10 seconds at 260 $\pm 5^{\circ}\text{C}$.
- Operating Temperature Range: -40~125 $^{\circ}\text{C}$ (without loss function).
- All parts RoHS and Reach compliant.

THIS DRAWING AND SPECIFICATION ARE THE PROPERTY OF Prolanv AND SHALL NOT BE COPIED OR USED WITHOUT Prolanv PERMISSION	GENERAL TOLERANCES UNLESS SPECIFIED		PART NO. PDC0810B0001	Prolanv [®]							
	X \pm 0.30	X $^{\circ}\pm$ 3 $^{\circ}$									
	.XX \pm 0.20	.X $^{\circ}\pm$ 2 $^{\circ}$	APPROVED BY Mike	TITLE Mini High-Current Power Female 2P/4S R/A DIP Type							
	.XXX \pm 0.05	.XX $^{\circ}\pm$ 1 $^{\circ}$	CHECKED BY Henry	DWG NO. PDC08-10							
	SIZE A4	UNITS mm[only]	DRAWN BY Poplar	 <table border="1"> <tr> <td>SHEET</td> <td>SCALE</td> <td>REV</td> </tr> <tr> <td>1 / 2</td> <td>1:1</td> <td>A2</td> </tr> </table>			SHEET	SCALE	REV	1 / 2	1:1
SHEET	SCALE	REV									
1 / 2	1:1	A2									

1 2 3 4 5 6 7 8



40 Pcs/Tray



Notes:

1. Q'ty: 40 Pcs/Tray, 2x12 Layers=960 Pcs/Carton.
2. Tray Pallet size: 332*162mm.
3. Carton size: 350*350*155mm.

THIS DRAWING AND SPECIFICATION ARE THE PROPERTY OF Prolanv AND SHALL NOT BE COPIED OR USED WITHOUT Prolanv PERMISSION

GENERAL TOLERANCES UNLESS SPECIFIED		PART NO.	Prolanv®		
X ± 0.20	X° ± 3°	PDC0810B0001			
XX ± 0.10	X° ± 2°	APPROVED BY	TITLE Mini High-Current Power Female 2P/4S R/A DIP Type. Packaging		
XXX ± 0.05	XX° ± 1°	Mike	DWG NO. P-PDC08-10		
CUSTOMER DRAWING		CHECKED BY	REV		
		Henry	2 / 2		
SIZE	UNITS	DRAWN BY	SCALE		
A4	mm[only]	Poplar	NA		
			A1		

1 2 3 4 5 6 7 8