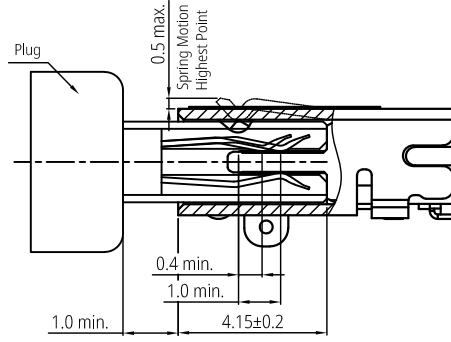
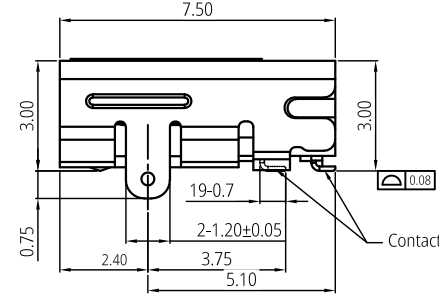
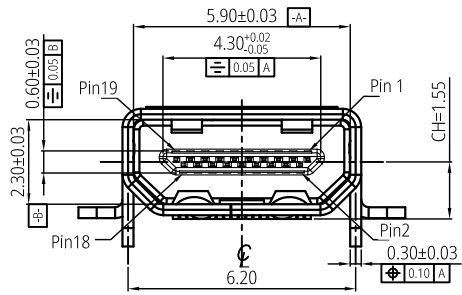


Recommended P.C.B Layout (Top View)  
(Tolerance ±0.05mm)



Plug and Receptacle mated condition

Pin	Signal Assignment
1	Hot Plug Detect
2	Utility
3	TMDS Data2+
4	TMDS Data2 Shield
5	TMDS Data2-
6	TMDS Data1+
7	TMDS Data1 Shield
8	TMDS Data1-
9	TMDS Data0+
10	TMDS Data0 Shield
11	TMDS Data0-
12	TMDS Clock+
13	TMDS Clock Shield
14	TMDS Clock-
15	CEC
16	DDC/CEC Ground
17	SCL
18	SDA
19	+5V Power

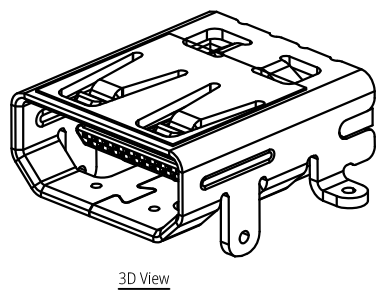
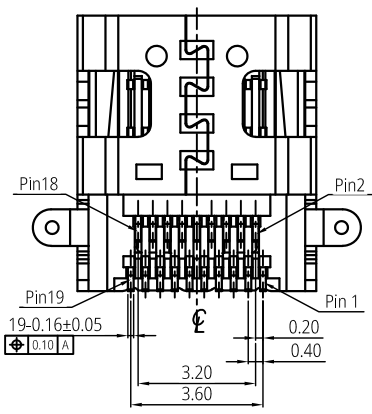
- Notes:
- Material Specification:
    - Housing: LCP+30% G.F UL94 V-0 Black.
    - Contact: C5191-1/2H T=0.12mm.
    - Shell: C5191-1/2H T=0.30mm.
  - Plating Specification:
    - Contact: see P/N.
    - Shell: Nickel plated or Gold Flash.
  - Mechanical Performance:
    - Insertion force: 44.1N (4.5 kgf) max.
    - Withdrawal force: 4.9N~25N(0.5kgf~2.5kgf).
    - Durability: 5,000 cycles.
  - Electrical Performance:
    - Current Rating: 0.3A.
    - LLCR: contact: 30mΩ max.(initial), Shell: 50mΩ max.(initial).
    - Insulation Resistance:
      - Unmated: 100MΩ min. at 500V DC.
      - Mated: 10MΩ min. at 150V DC.
    - Dielectric Withstand Voltage:
      - 150V AC/60s(mated), 250V AC/60s(unmated).
  - IR Reflow:
 

The peak temperature on board shall be maintained for 10 seconds at 260±5°C.
  - Operating temperature range: -35°C~105°C(without loss function).
  - RoHS and Reach compliant.

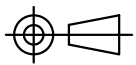
Part Number: PHD061XX0001

Shell Plating Spec. Code:  
0: Nickel plated 50μ" min.  
1: Gold Flash.

Shell Plating Spec. Code:  
A: Gold Flash on Contact area, Tin 60μ" min. on Tails, and 50μ" Nickel overall.  
B: Au 5μ" on Contact area, Tin 60μ" min. on Tails, and 50μ" Nickel overall.  
C: Au 15μ" on Contact area, Tin 60μ" min. on Tails, and 50μ" Nickel overall.  
1: Gold Flash on Contact area and Tails, and 50μ" Nickel overall.



3D View

THIS DRAWING AND SPECIFICATION ARE THE PROPERTY OF Prolanv AND SHALL NOT BE COPIED OR USED WITHOUT Prolanv PERMISSION	GENERAL TOLERANCES UNLESS SPECIFIED		PART NO.		<b>Prolanv®</b>	
	X± 0.30	X°± 3°	PHD061XX0001			
	XX± 0.20	X°± 2°	APPROVED BY	TITLE		
	XXX± 0.05	XX°± 1°	Kysin	Micro HDMI (D Type) 19pin Rec. 0.4Pitch, Top-Mount CH=1.55mm, Dual-SMT Type		
	CUSTOMER DRAWING		CHECKED BY	DWG NO.		
		Harry	PHD06-10			
SIZE	UNITS	DRAWN BY		SHEET	SCALE	REV
A4	mm[only]	Lucie		1 / 2	1:1	C4

1 2 3 4 5 6 7 8

F

E

D

C

B

A

F

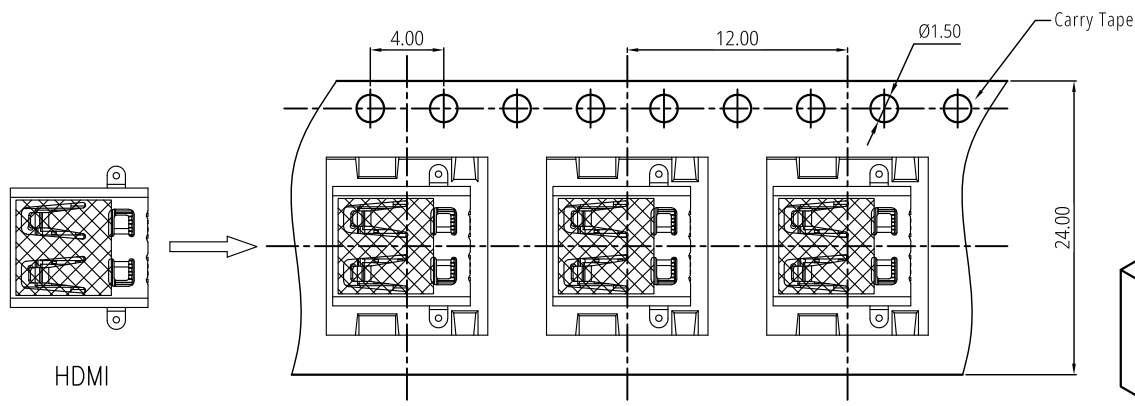
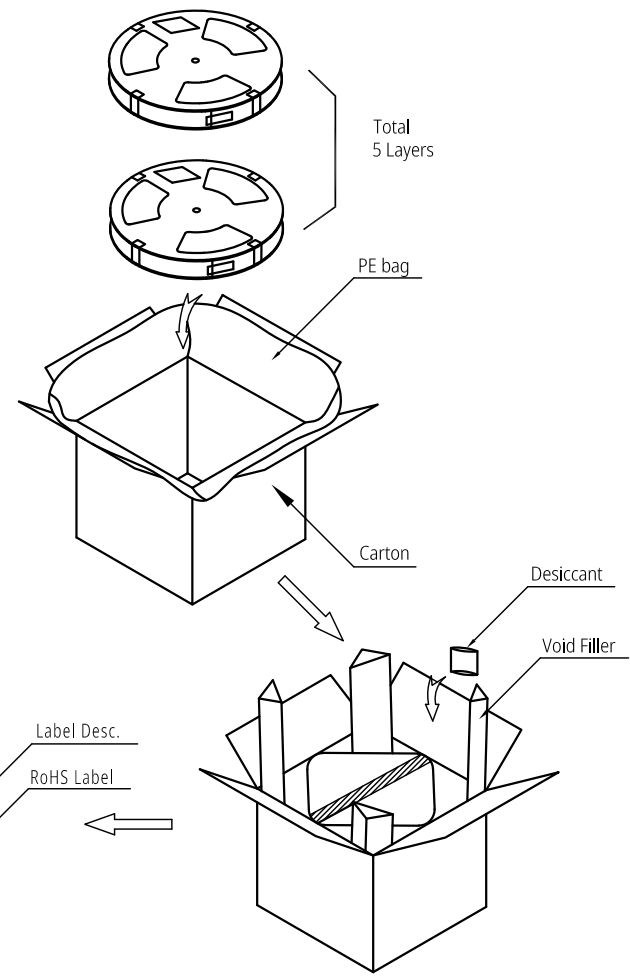
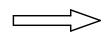
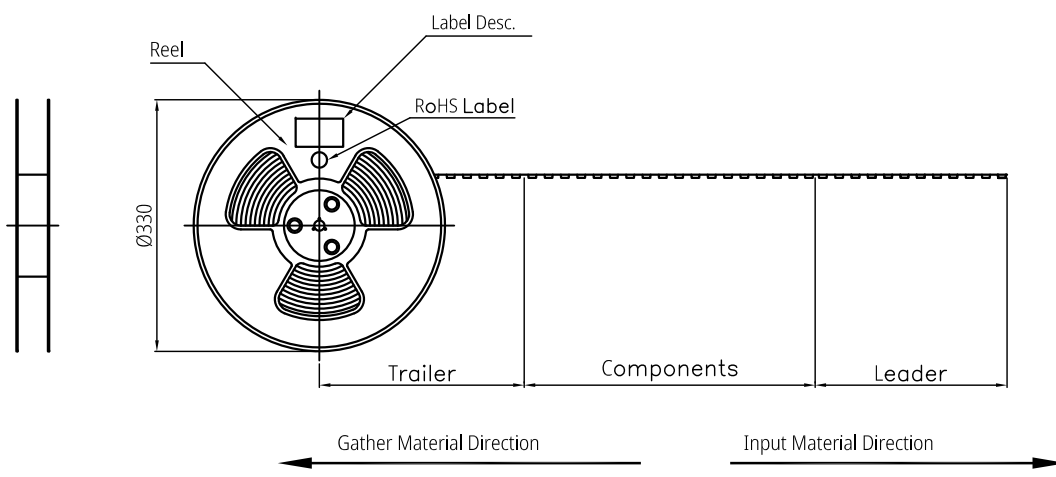
E

D

C

B

A



Notes:

- 1.The start and end of each Reel, Based on the actual quantity, Reserved 10~20Pcs space,
- 2.Cover Tape and Carry Tape peel: 10gf~130gf, Peel Deg.:165°~175°, Peel speed: 250~300mm/min.,
- 3.Carton size: 350\*350\*155mm. K=K,
- 4.Q'ty: 1,200Pcs/Reel, 5Reels/Carton, Total 6,000Pcs/Carton.

THIS DRAWING AND SPECIFICATION ARE THE PROPERTY OF Prolanv AND SHALL NOT BE COPIED OR USED WITHOUT Prolanv PERMISSION	GENERAL TOLERANCES UNLESS SPECIFIED		PART NO.		<b>Prolanv</b> <sup>®</sup>		
	X±	0.30	X°±	3°		PHD061XX0001	
	.XX±	0.20	.X°±	2°	APPROVED BY	TITLE Micro HDMI (D Type) 19pin Rec. 0.4Pitch, Top-Mount CH=1.55mm, Dual-SMT Type Packaging	
	.XXX±	0.05	.XX°±	1°	Kysin		
	CUSTOMER DRAWING			CHECKED BY	Harry	DWG NO.	PHD06-10
	SIZE	UNITS	DRAWN BY			SHEET	SCALE
A4	mm[only]	Lucie		2 / 2		NA	C4

1 2 3 4 5 6 7 8