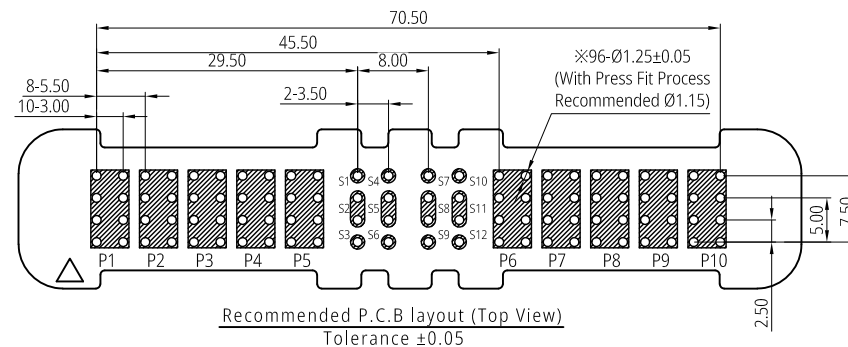
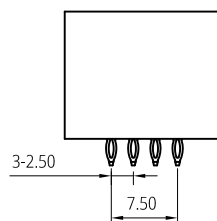
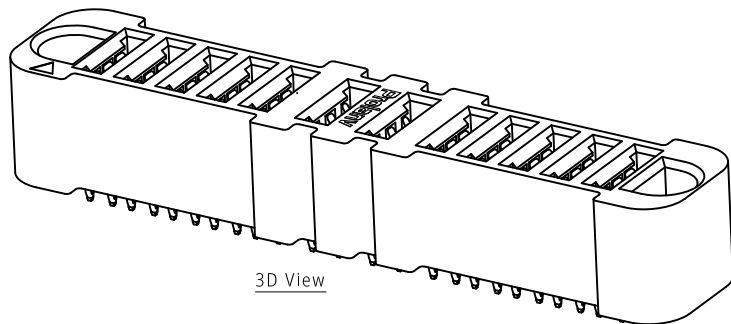
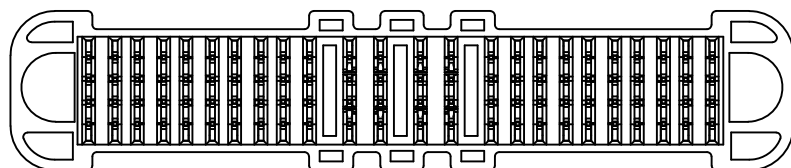
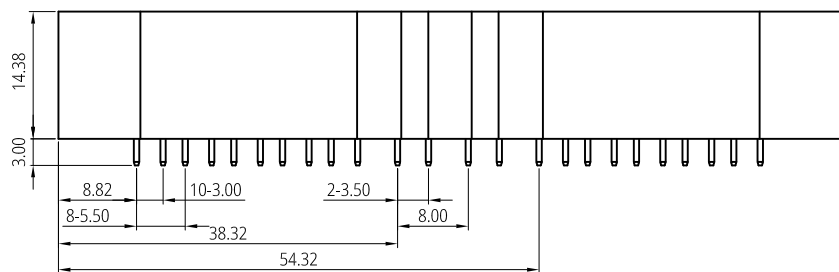
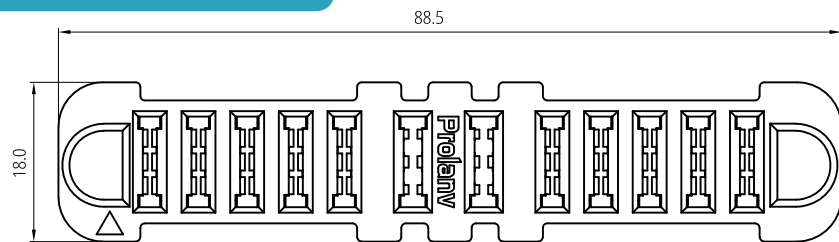


Patented product
专 利 产 品

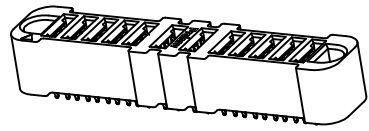


Notes:

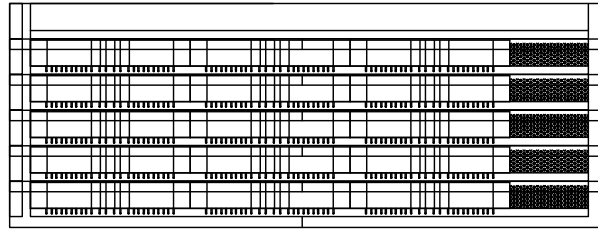
- Material Specification
 - 1-1.Housing: High Temperature Thermoplastic. UL94 V-0, Black.
 - 1-2.Contact: High Conductivity Copper Alloy.
- Plating Specification:
 - 2-1.Contact: Gold plating on Contact area, matte Tin $80\mu\text{m}$ min. on Tails and $50\mu\text{m}$ min. Nickel overall.
- Electrical performance
 - 3-1.Voltage Rating: 250v DC/Power Pin, 120v DC/Signal Pin.
 - 3-2.Current Rating: 60A/per Power Blade, 3A/Signal Pin.
 - 3-3.LLCR: initial $0.6\text{m}\Omega$ max., finished $1.0\text{m}\Omega$ maximum change (per Power Blade), initial $10\text{m}\Omega$ max., finished $20\text{m}\Omega$ max.(per Signal Pin)
 - 3-4.Dielectric Withstanding Voltage: 1500v DC rms/Power Blade; 500v DC rms/Signal Pin,
 - 3-5.Insulation Resistance: 5000 M Ω min/power blade; 500 M Ω min/signal pin;
- Mechanical Performance:
 - 4-1.Insertion force: 245N (25.0 kgf) (max.)
 - 4-2.Withdrawal force: 9.8N~147N (1.0~15.0 kgf).
 - 4-3.Durability life: 10,000 cycles (max.)
- IR Reflow:

The peak temperature on board shall be maintained for 10 seconds at $260\pm 5^\circ\text{c}$.
- Operating Temperature Range: $-40\sim 125^\circ\text{c}$ (without loss function).
- All parts RoHS and Reach compliant.
- ※ See SPS-PDC-06 for Terminal details.

THIS DRAWING AND SPECIFICATION ARE THE PROPERTY OF Prolanv AND SHALL NOT BE COPIED OR USED WITHOUT Prolanv PERMISSION	GENERAL TOLERANCES UNLESS SPECIFIED		PART NO. PDC2210F0001	Prolanv [®]							
	X \pm 0.30	X. $^\circ$ \pm 3 $^\circ$			APPROVED BY Kysin	TITLE EN60A series Power Female. 10PW+12S, Straight Type					
	XX \pm 0.20	.X. $^\circ$ \pm 2 $^\circ$	CHECKED BY Harry	DWG NO. PDC22-10							
	XXX \pm 0.05	.XX. $^\circ$ \pm 1 $^\circ$	DRAWN BY Lucie	<table border="1"> <tr> <td rowspan="2" style="text-align: center;"></td> <td>SHEET</td> <td>SCALE</td> <td>REV</td> </tr> <tr> <td>1 / 2</td> <td>1:1</td> <td>B0</td> </tr> </table>		SHEET	SCALE	REV	1 / 2	1:1	B0
		SHEET	SCALE	REV							
		1 / 2	1:1	B0							
SIZE	UNITS										
A4	mm[only]										



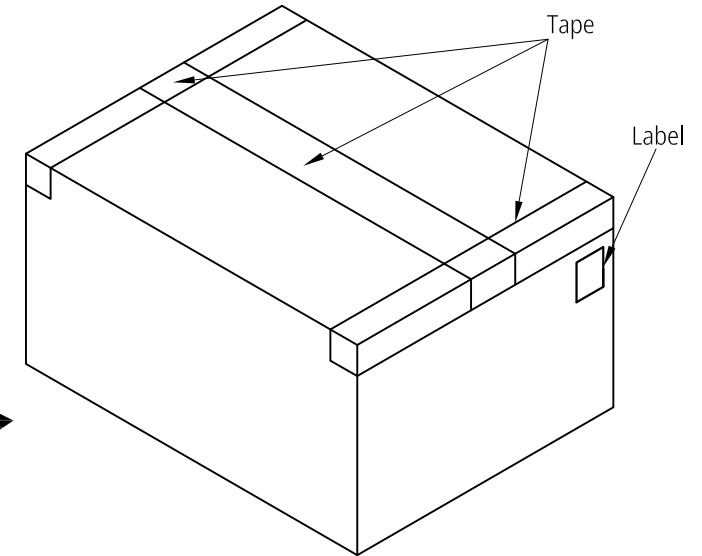
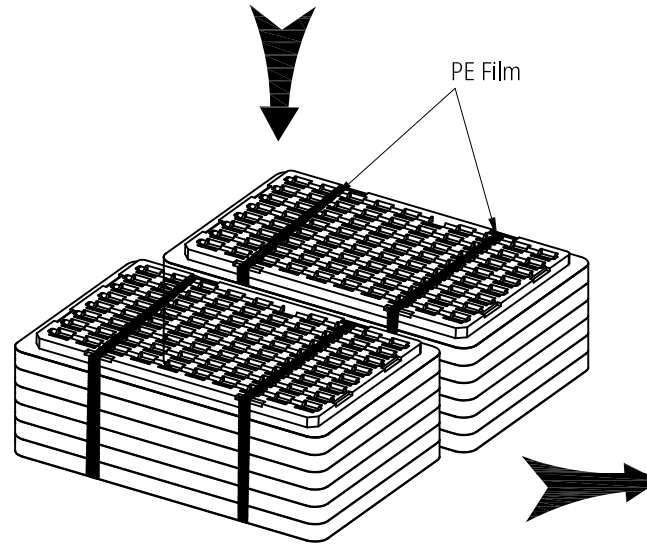
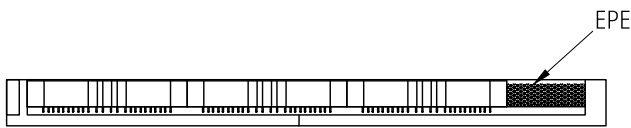
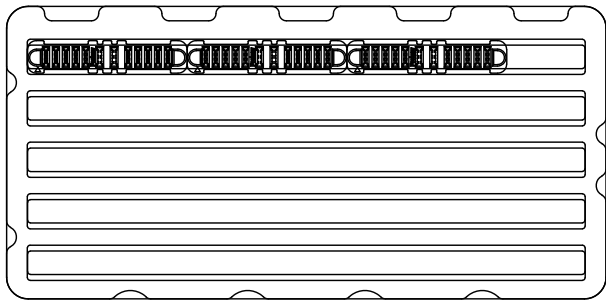
15Pcs/Tray



Total: 2x5 Layers

Notes:

1. Q'ty: 15Pcs/Tray, 2x5 Layers=150Pcs/Carton.
2. Tray Pallet size: 332*162mm.
3. Carton size: 350*350*155mm.



THIS DRAWING AND SPECIFICATION ARE THE PROPERTY OF Prolanv AND SHALL NOT BE COPIED OR USED WITHOUT Prolanv PERMISSION	GENERAL TOLERANCES UNLESS SPECIFIED		PART NO.		<h1>Prolanv®</h1>						
	X± 0.30	X°± 3°	PDC2210F0001								
	XX± 0.20	.X°± 2°	APPROVED BY		TITLE						
	XXX± 0.05	.XX°± 1°	Kysin		EN60A series Power Female. 10PW+12S, Straight Type, Packaging						
	CUSTOMER DRAWING		CHECKED BY		DWG NO.						
			Harry		P-PDC22-10						
SIZE	UNITS	DRAWN BY		<table border="1" style="display: inline-table; border-collapse: collapse;"> <tr> <td>SHEET</td> <td>SCALE</td> <td>REV</td> </tr> <tr> <td>2 / 2</td> <td>N/A</td> <td>A3</td> </tr> </table>		SHEET	SCALE	REV	2 / 2	N/A	A3
SHEET	SCALE	REV									
2 / 2	N/A	A3									
A4	mm[only]	Lucie									