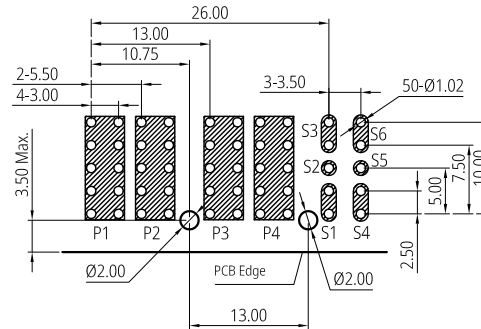
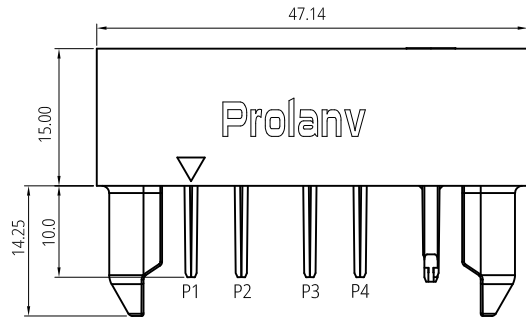
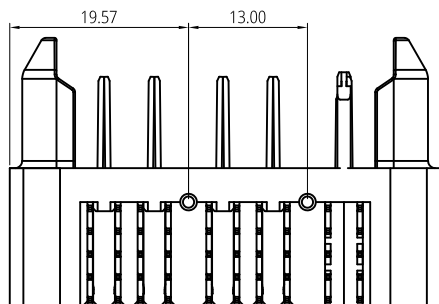
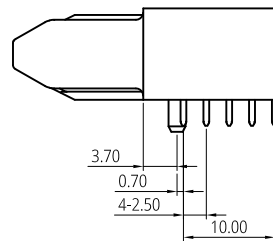
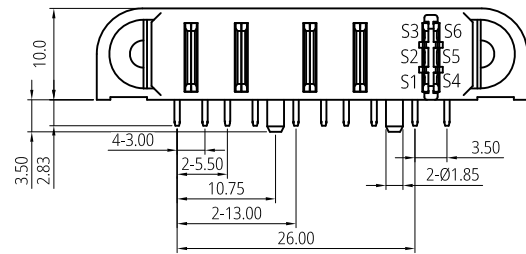
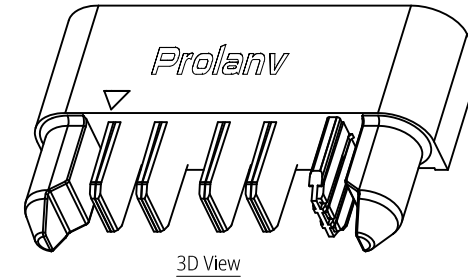


**P**atented product  
**专利产品**



Recommended P.C.B Layout (Top View)  
 Tolerance  $\pm 0.05$



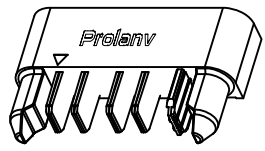
Notes:

- Material Specification
  - Housing: High Temperature Thermoplastic. UL94 V-0, Black.
  - Contact: High Conductivity Copper Alloy.
  - Metal-Rod: Alloy.
- Plating Specification:
  - Contact: Gold plating on Contact area, matte Tin  $80\mu\text{m}$  min. on Tails, and  $50\mu\text{m}$  min. Nickel overall.
- Electrical performance
  - Voltage Rating: 250V DC/Power Pin, 120V DC/Signal Pin.
  - Current Rating: 60A/per Power Blade, 3A/Signal Pin.
  - LLCR: initial  $0.6\text{m}\Omega$  max., finished  $1.0\text{m}\Omega$  maximum change.(per Power Blade ), initial  $10\text{m}\Omega$  max., finished  $20\text{m}\Omega$  max.(per Power Blade ).
  - Dielectric Withstanding Voltage: 1500v DC rms/Power Blade, 500V DC rms/Signal Pin.
  - Insulation Resistance: 5000 M $\Omega$  min/power blade; 500 M $\Omega$  min/Signal Pin.
- Mechanical Performance:
  - Insertion force: 120 (12.2 kgf) (max.)
  - Withdrawal force: 9.8N-98N (1.0-10.0 kgf).
  - Durability life: 10,000 cycles (max.)
- IR Reflow:
 

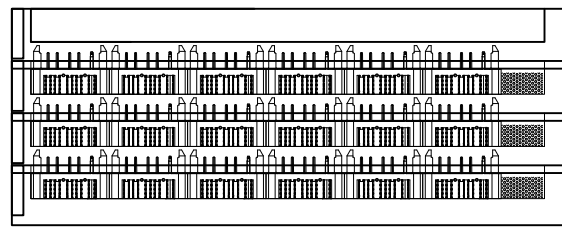
The peak temperature on board shall be maintained for 10 seconds at  $260\pm 5^\circ\text{C}$ .
- Operating Temperature Range:  $-40\sim 125^\circ\text{C}$ (without loss function).
- All parts RoHS and Reach compliant.

THIS DRAWING AND SPECIFICATION ARE THE PROPERTY OF Prolanv AND SHALL NOT BE COPIED OR USED WITHOUT Prolanv PERMISSION	GENERAL TOLERANCES UNLESS SPECIFIED		PART NO.		<b>Prolanv</b> <sup>®</sup>		
	X $\pm$ 0.30	X $^\circ$ $\pm$ 3 $^\circ$	PDC0110F0002				
	XX $\pm$ 0.20	.X $^\circ$ $\pm$ 2 $^\circ$	APPROVED BY		TITLE		
	XXX $\pm$ 0.05	.XX $^\circ$ $\pm$ 1 $^\circ$	Mike		EN60A series   Power Male. 4PW+6S, R/A DIP Type		
	CUSTOMER DRAWING		CHECKED BY		DWG NO.		
	Henry		Poplar		PDC01-02		
SIZE	UNITS	DRAWN BY			SHEET	SCALE	REV
A4	mm[only]	Poplar			1 / 2	1:1	A1

1 2 3 4 5 6 7 8

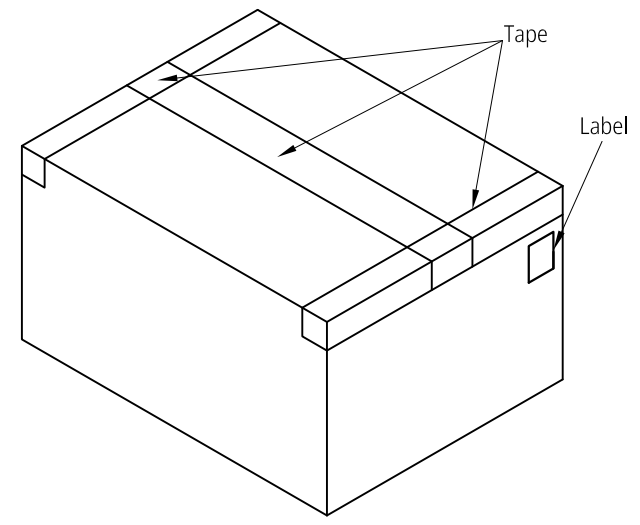
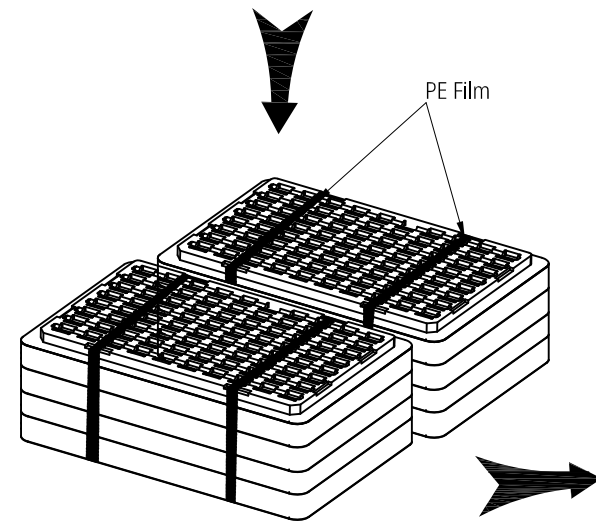
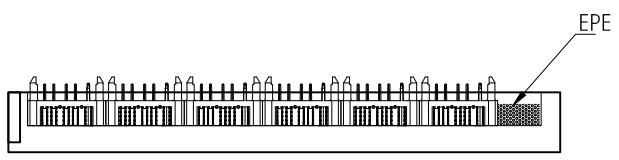
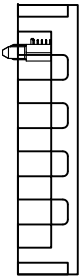
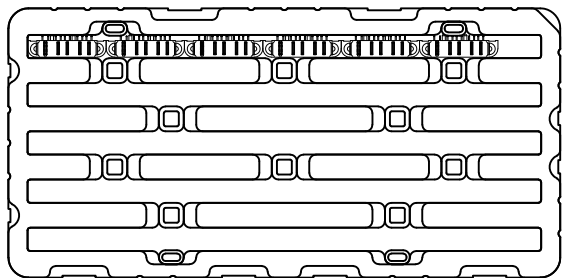


30 Pcs/Tray



Total: 2x3 Layers

- Notes:
1. Q'ty: 30 Pcs/Tray, 2x3 Layers=180 Pcs/Carton.
  2. Tray Pallet size: 332\*162mm.
  3. Carton size: 350\*350\*155mm.



THIS DRAWING AND SPECIFICATION ARE THE PROPERTY OF Prolanv AND SHALL NOT BE COPIED OR USED WITHOUT Prolanv PERMISSION	GENERAL TOLERANCES UNLESS SPECIFIED		PART NO.	<b>Prolanv</b> <sup>®</sup>		
	X ± 0.30	X° ± 3°	PDC0110F0002			
	XX ± 0.20	XX° ± 2°	APPROVED BY	TITLE EN60A series   Power Male R/A DIP Type. 4PW+6S. Packaging		
	XXX ± 0.05	XXX° ± 1°	Mike	DWG NO. P-PDC01-02		
	CUSTOMER DRAWING		CHECKED BY	REV		
	SIZE A4		UNITS mm[only]	jin	2 / 2	
			Poplar	SCALE N/A		
				REV A1		

1 2 3 4 5 6 7 8