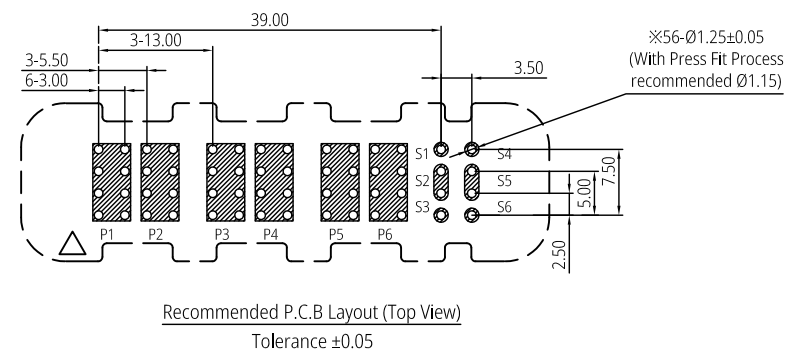
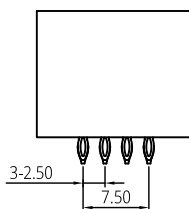
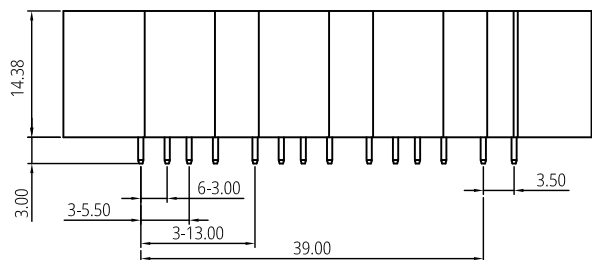
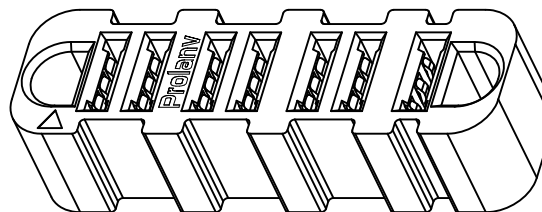
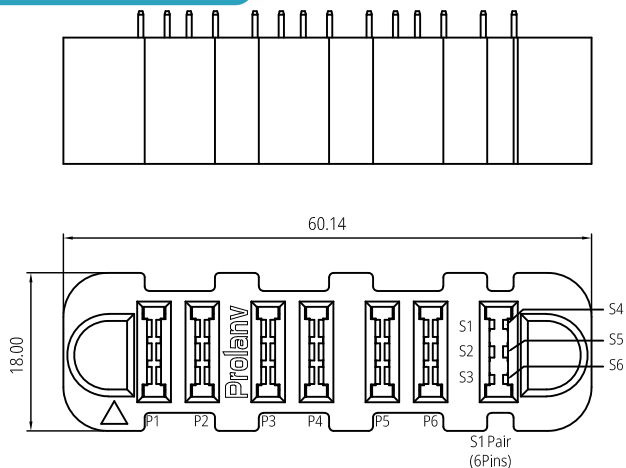


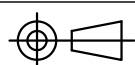
Patented product
专 利 产 品

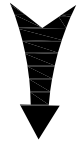


Notes:

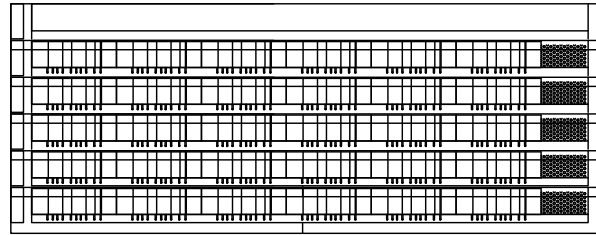
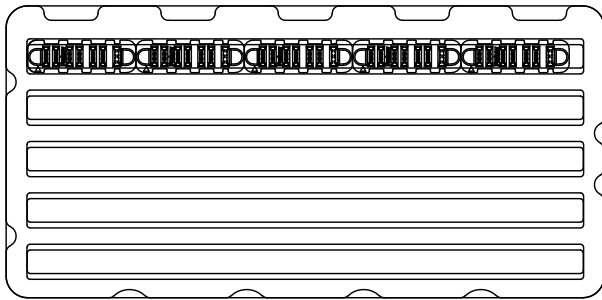
- Material Specification
 - Housing: High Temperature Thermoplastic. UL94 V-0, Black.
 - Contact: High-Conductivity Copper Alloy.
- Plating Specification:
 - Contact: Gold plating on Contact area, matte Tin 80µ" min. on Tails, and 50µ" min, Nickel overall.
- Electrical performance
 - Voltage Rating: 250v DC/Power Pin, 120V DC/Signal Pin.
 - Current Rating: 60A/per Power Blade, 3A/Signal Pin.
 - LLCR: initial 0.6mΩ max., finished 1.0mΩ maximum change.(per Power Blade), initial 10mΩ max., finished 20mΩ max.(per Power Blade).
 - Dielectric Withstanding Voltage:
 - 1500v DC rms/Power Blade,500V DC rms/Signal Pin.
 - Insulation Resistance:
 - 5000 MΩ min/power blade; 500 MΩ min/Signal Pin.
- Mechanical Performance:
 - Insertion force: 120 (12.2 kgf) (max.)
 - Withdrawal force: 9.8N~98N (1.0~10.0 kgf).
 - Durability life: 10,000 cycles (max.)
- IR Reflow:

The peak temperature on board shall be maintained for 10 seconds at 260±5°C.
- Operating Temperature Range: -40~125°C(without loss function).
- All parts RoHS and Reach compliant.
- ※ See SPS-PDC-06 for Terminal details.

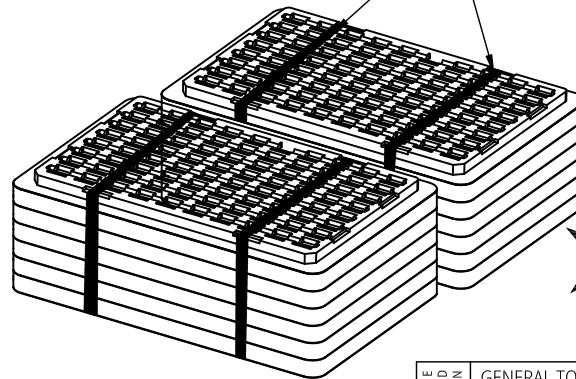
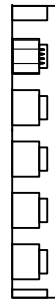
THIS DRAWING AND SPECIFICATION ARE THE PROPERTY OF Prolanv AND SHALL NOT BE COPIED OR USED WITHOUT Prolanv PERMISSION	GENERAL TOLERANCES UNLESS SPECIFIED		PART NO.	Prolanv®		
	X ± 0.30	X.º ± 3º	PDC0410F0001			
	.XX ± 0.20	.X.º ± 2º	APPROVED BY	TITLE EN60A series Power Female. 6+1Pairs, Straight Type		
	.XXX ± 0.05	.XX.º ± 1º	Kysin			
CUSTOMER DRAWING		CHECKED BY	DWG NO. PDC04-10			
		Kent				
SIZE	UNITS	DRAWN BY	 SHEET 1 / 2 SCALE 1:1 REV B0			
A4	mm[only]	jin				



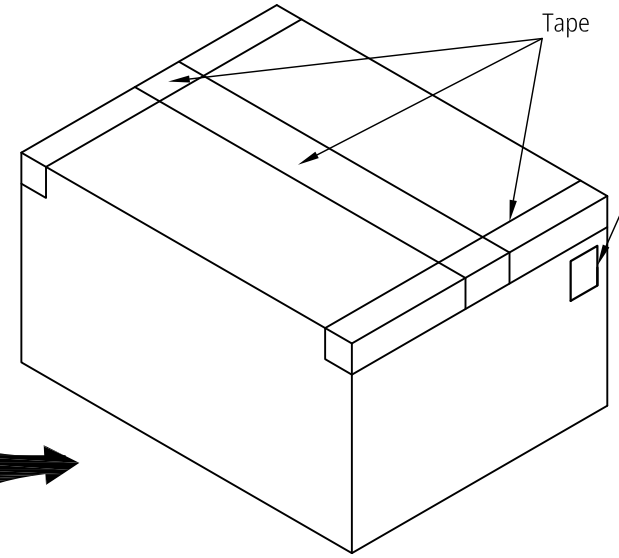
25Pcs/Tray



Total: 2x5 Layers



PE FILM

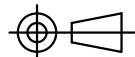


Tape

Label

Notes:

1. Q'ty: 25 Pcs/Tray, 2x5 Layers=250 Pcs/Carton.
2. Tray Pallet size: 332*162mm.
3. Carton size: 350*350*155mm.

THIS DRAWING AND SPECIFICATION ARE THE PROPERTY OF Prolanv AND SHALL NOT BE COPIED OR USED WITHOUT Prolanv PERMISSION	GENERAL TOLERANCES UNLESS SPECIFIED		PART NO. PDC0410F0001		<h1 style="margin: 0;">Prolanv®</h1>		
	$X \pm 0.30$	$X^\circ \pm 3^\circ$	APPROVED BY Kysin				
	$.XX \pm 0.20$	$.X^\circ \pm 2^\circ$	CHECKED BY Kent		DWG NO. P-PDC04-10		
	$.XXX \pm 0.05$	$.XX^\circ \pm 1^\circ$	DRAWN BY jin				
	CUSTOMER DRAWING	SIZE A4	UNITS mm[only]	SHEET 2 / 2		SCALE NA	REV A3