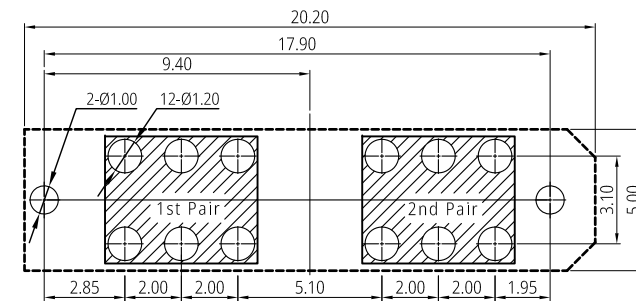
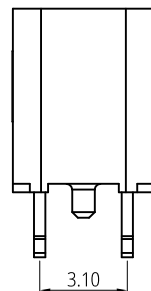
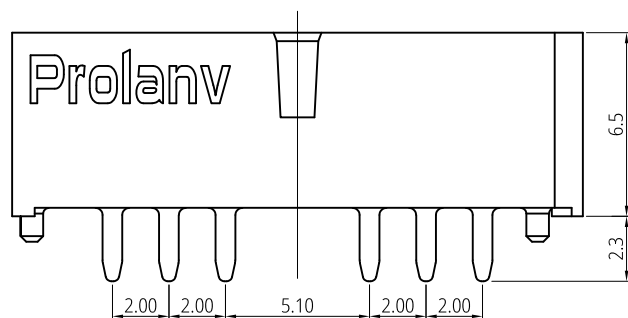
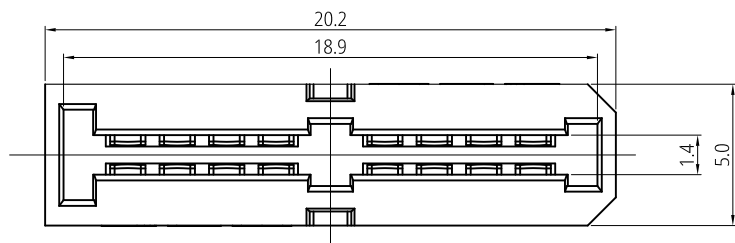


3D View



Recommended P.C.B layout (Top View)  
Tolerance  $\pm 0.05$

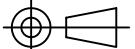


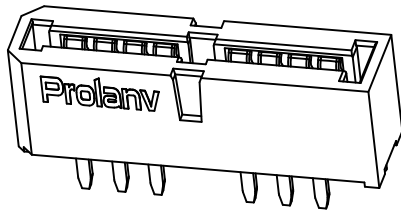
Notes:

1. Material Specification
  - 1-1.Housing: High Temperature Thermoplastic. UL94 V-0, Black.
  - 1-2.Contact: High Conductivity Copper Alloy.
2. Plating Specification:
  - 2-1.Contact: Gold plating on Contact area, matte Tin 80 $\mu$ " min. on Tails, and 50 $\mu$ " min, Nickel overall.
3. Electrical performance
  - 3-1.Voltage Rating: 50v DC/Power Pin.
  - 3-2.Current Rating: 40A/Per Power Pin.
  - 3-3.LLCR: initial 0.5m $\Omega$  max., finished 1.0m $\Omega$  maximum change.( Power Pin ).
  - 3-4.Dielectric Withstanding Voltage: 500v DC rms/Power Pin.
  - 3-5.Insulation Resistance: 500 M $\Omega$  min at 500v DC.
4. Mechanical Performance:
  - 4-1.Insertion force: 35N (3.6kgf) (max.)
  - 4-2.Withdrawal force: 4.9N-35N (0.5-3.6 kgf).
  - 4-3.Durability life: 5,000 cycles (max.)
5. IR Reflow:
 

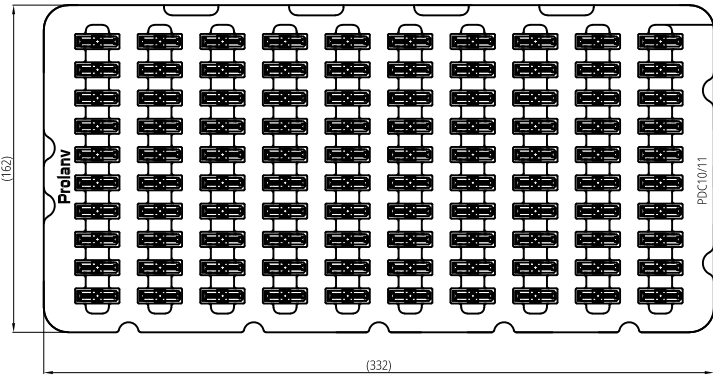
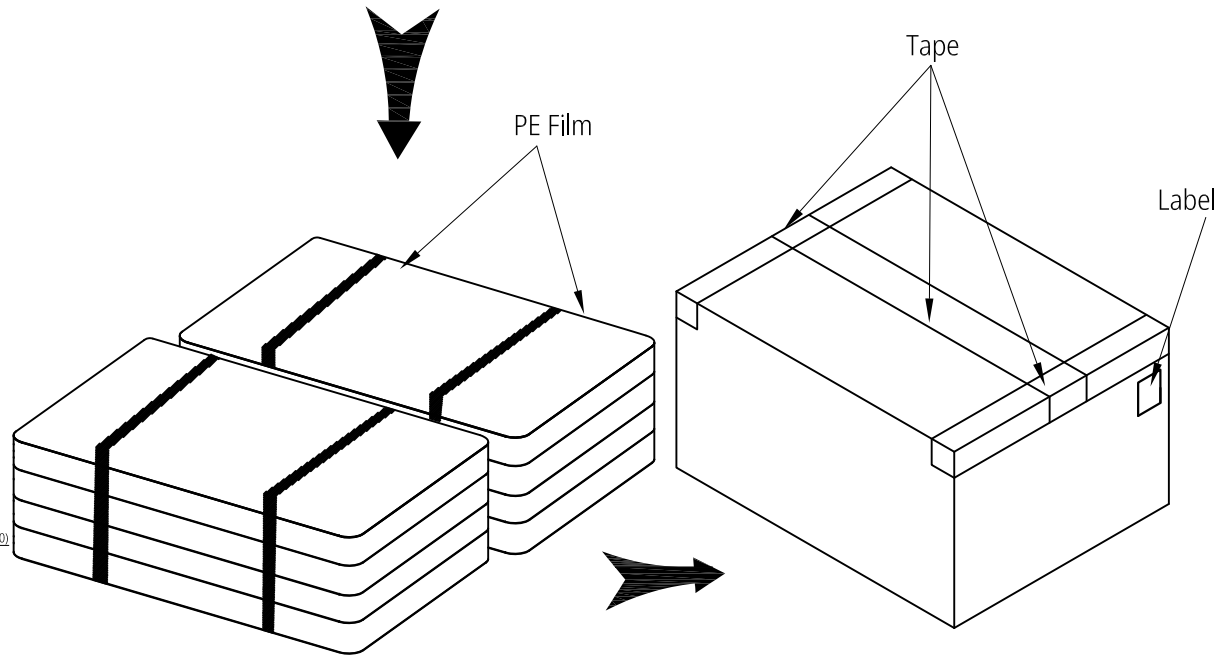
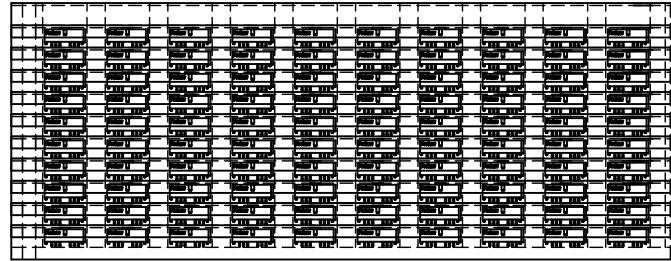
The peak temperature on board shall be maintained for 10 seconds at 260 $\pm$ 5 $^{\circ}$ c.
6. Operating Temperature Range: -35-105 $^{\circ}$ c(without loss function).
7. All parts RoHS and Reach compliant.

THIS DRAWING AND SPECIFICATION ARE THE PROPERTY OF Prolanv AND SHALL NOT BE COPIED OR USED WITHOUT Prolanv PERMISSION

GENERAL TOLERANCES UNLESS SPECIFIED		PART NO.		<b>Prolanv</b> <sup>®</sup>								
X $\pm$ 0.30	X $^{\circ}$ $\pm$ 3 $^{\circ}$	PDC1010B0005										
XX $\pm$ 0.20	.X $^{\circ}$ $\pm$ 2 $^{\circ}$	APPROVED BY		TITLE								
XXX $\pm$ 0.05	.XX $^{\circ}$ $\pm$ 1 $^{\circ}$	Mike		Mini Hi-Current Power Female. 40A,H6.5mm, 2PW. Straight Type								
CUSTOMER DRAWING		CHECKED BY		DWG NO.								
		Harry		PDC10-10								
SIZE	UNITS	DRAWN BY		 <table border="1"> <tr> <td>SHEET</td> <td>SCALE</td> <td>REV</td> </tr> <tr> <td>1 / 2</td> <td>1:1</td> <td>C2</td> </tr> </table>			SHEET	SCALE	REV	1 / 2	1:1	C2
SHEET	SCALE	REV										
1 / 2	1:1	C2										
A4	mm[only]	Poplar										



100Pcs/Tray



Notes:

1. Q'ty:100 Pcs/Tray, 2x10 Layers=2,000 Pcs/Carton.
2. Tray Pallet size: 332\*162\*17mm.
3. Carton size: 350\*350\*155mm.

THIS DRAWING AND SPECIFICATION ARE THE PROPERTY OF Prolanv AND SHALL NOT BE COPIED OR USED WITHOUT Prolanv PERMISSION	GENERAL TOLERANCES UNLESS SPECIFIED		PART NO.	<b>Prolanv</b> <sup>®</sup>		
	X ± 0.30	X° ± 3°	PDC1010B0005			
	XX ± 0.20	X° ± 2°	APPROVED BY	TITLE Mini Hi-Current Power Female. 40A, H6.5mm, 2PW. Packaging		
	XXX ± 0.05	XX° ± 1°	Mike	DWG NO. P-PDC10-10		
	CUSTOMER DRAWING		CHECKED BY	REV		
	SIZE A4		UNITS mm[only]	Harry	2 / 2	
			DRAWN BY	SCALE N/A		
			Poplar	REV C2		