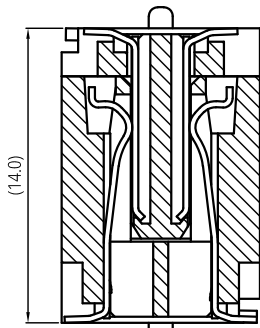
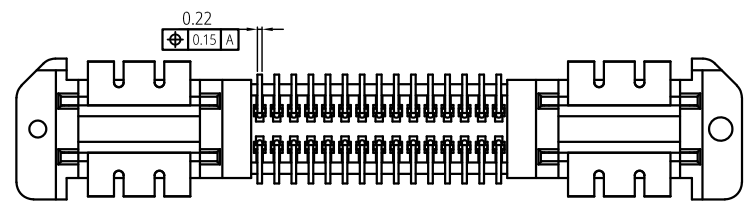
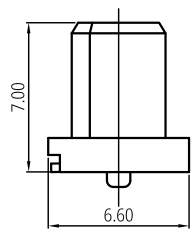
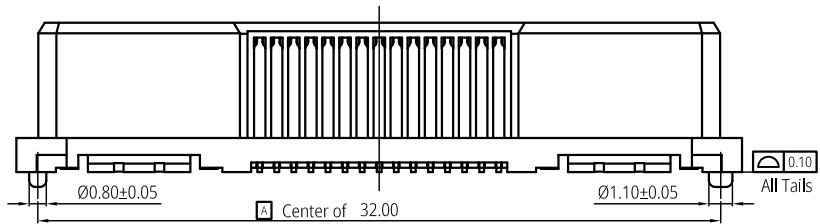


3D View

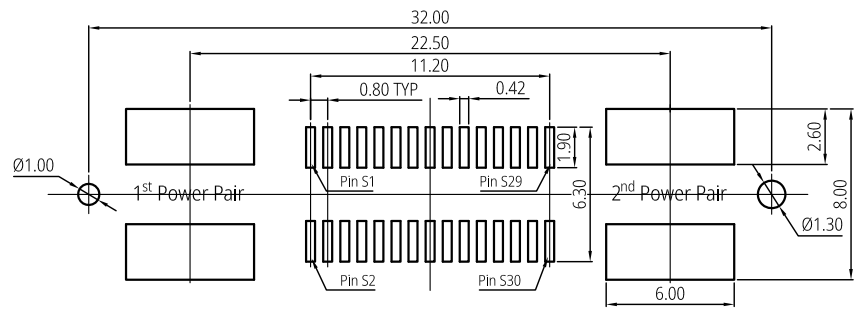


Mating View

Note:

1. Material:
 - 1-1.Housing: High temperature thermoplastic, UL94 V-0,
 - 1-2.Power Pin: High Conductivity Copper Alloy,
 - 1-3.Signal Pin: Copper Alloy.
2. Plating Specification:
 - 2-1.Power Pin/Signal Pin: Nickel 50µ" min. under plated, Gold plating on the functional area of contact, Matte Tin on Tails,
3. Electrical Performance:
 - 3-1.Current rating (Power Pin): 40A/Per Pair,
 - 3-2.Current rating (Signal Pin): 0.5A/Per Pin,
 - 3-3.LLCR (Power Pin): 1.0mΩ max.(initial), 2.0mΩ max.(final),
 - 3-4.LLCR (Signal Pin): 55mΩ max.(initial), 20mΩ max.change allowed (final),
 - 3-5.Dielectric Withstanding Voltage: 300V AC (RMS) for 60s.,
 - 3-6.Insulation Resistance: 500MΩ min. @ 500V DC;
4. Mechanical Performance:
 - 4-1.Insertion force: 49.8N (5.0kgf) max.
 - 4-2.Withdrawal force: 4.9~49.8N (0.5~5.0kgf).
 - 4-3.Durability: 1,000 cycles min.
4. IR Reflow:

The peak temperature on board shall be maintained for 10 seconds at 260±5°C.
5. Operating temperature range: -35°C~105°C(without loss function).
6. All part RoHS and Reach compliant.

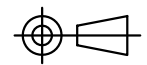


Recommended P.C.B Layout (Top View)
Tolerance: ±0.05

THIS DRAWING AND SPECIFICATION ARE THE PROPERTY OF Prolanv AND SHALL NOT BE COPIED OR USED WITHOUT Prolanv PERMISSION

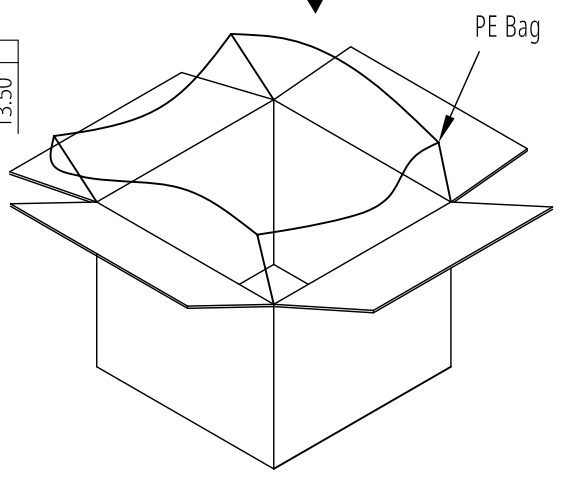
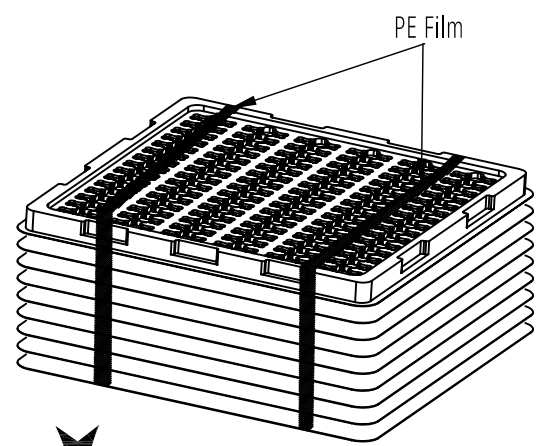
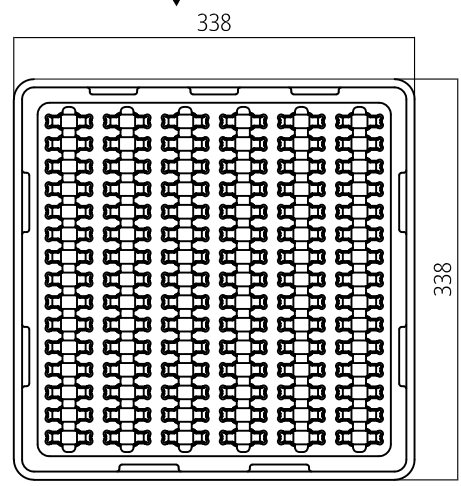
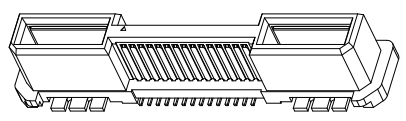
GENERAL TOLERANCES UNLESS SPECIFIED		PART NO. PDC3P20B00AR	APPROVED BY Mike	TITLE Power Male. H7.0mm, 40A/2PW+30S, Vert. SMT Type
X ± 0.30	X.° ± 3°			
XX ± 0.20	.X° ± 2°	CHECKED BY Kysin	DRAWN BY Sunny	DWG NO. PDC3P-20
XXX ± 0.05	.XX° ± 1°			
CUSTOMER DRAWING				
SIZE A4	UNITS mm[only]			

Prolanv®			
SHEET		SCALE	REV
1 / 2		1:1	B0



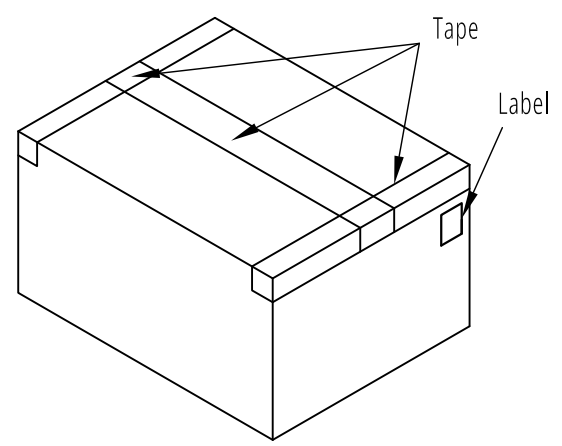
1 2 3 4 5 6 7 8

F
E
D
C
B
A



Notes:

- 1. Q'ty: 90 pcs/Tray, 13Layers=1,170 pcs/Carton.
- 2. Tray Pallet size: 338*338mm, T=0.5mm.
- 3. Carton size: 350*350*155mm.



THIS DRAWING AND SPECIFICATION ARE THE PROPERTY OF Prolanv AND SHALL NOT BE COPIED OR USED WITHOUT Prolanv PERMISSION

GENERAL TOLERANCES UNLESS SPECIFIED		PART NO.	Prolanv [®]		
X± 0.30	X°± 3°	PDC3P20B00AR			
XX± 0.20	.X°± 2°	APPROVED BY	TITLE Power Male. H7.0mm, 40A/2PW+30S, SMT Type Packaging		
XXX± 0.05	.XX°± 1°	Mike	DWG NO. P-PDC3P-20		
CUSTOMER DRAWING		CHECKED BY	REV		
		Kysin	2 / 2		
SIZE	UNITS	DRAWN BY	SCALE		
A4	mm[only]	Sunny	NA		
			B0		

1 2 3 4 5 6 7 8