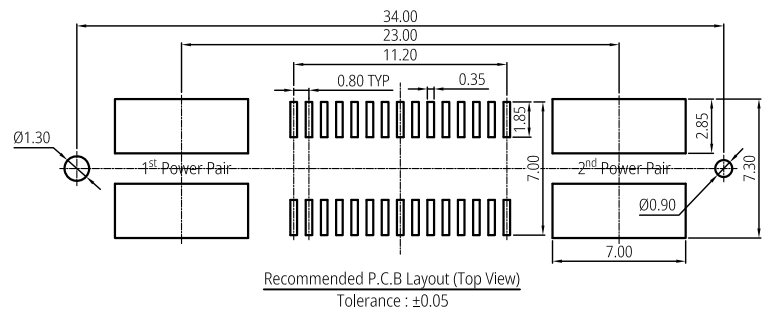
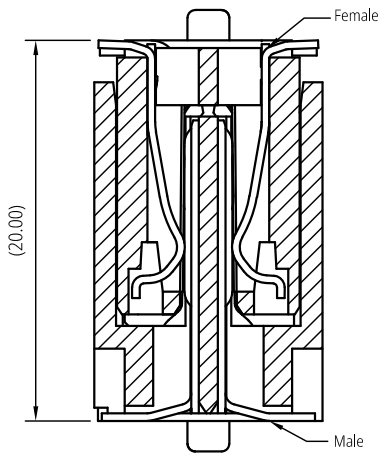
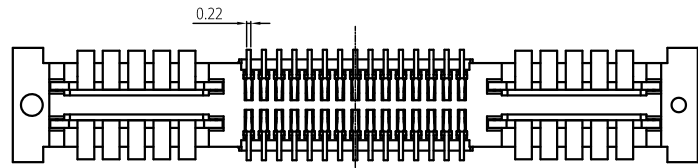


- Note:
- Material:
    - Housing: High temperature thermoplastic, UL94 V-0,
    - Power Pin: High Conductivity Copper Alloy,
    - Signal Pin: Copper Alloy.
  - Plating Specification:
    - Power Pin/Signal Pin: Nickel 50µ" min. under plated, Gold plating on the functional area of contact, Matte Tin on Tails,
  - Electrical Performance:
    - Current rating (Power Pin): 40A/Per Pair,
    - Current rating (Signal Pin): 0.5A/Per Pin,
    - LLCR (Power Pin): 1.0mΩ max.(initial), 2mΩ max.(final),
    - LLCR (Signal Pin): 55mΩ max.(initial), 20mΩ max.change allowed (final),
    - Dielectric Withstanding Voltage: 300V AC (RMS) for 60s.,
    - Insulation Resistance: 500MΩ min. @ 500V DC;
  - Mechanical Performance:
    - Insertion force: 49.8N (5.0kgf) max.
    - Withdrawal force: 4.9~49.8N (0.5~5.0kgf).
    - Durability: 1,000 cycles min.
  - IR Reflow:
 

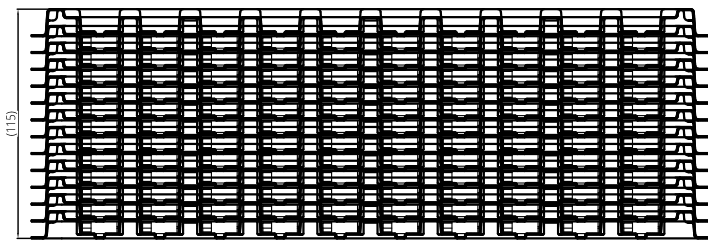
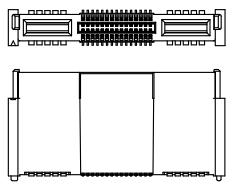
The peak temperature on board shall be maintained for 10 seconds at 260±5°C.
  - Operating temperature range: -35°C~105°C(without loss function).
  - All part RoHS and Reach compliant.



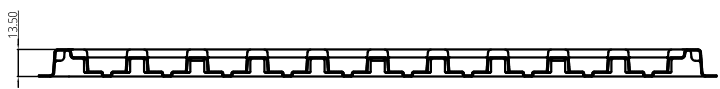
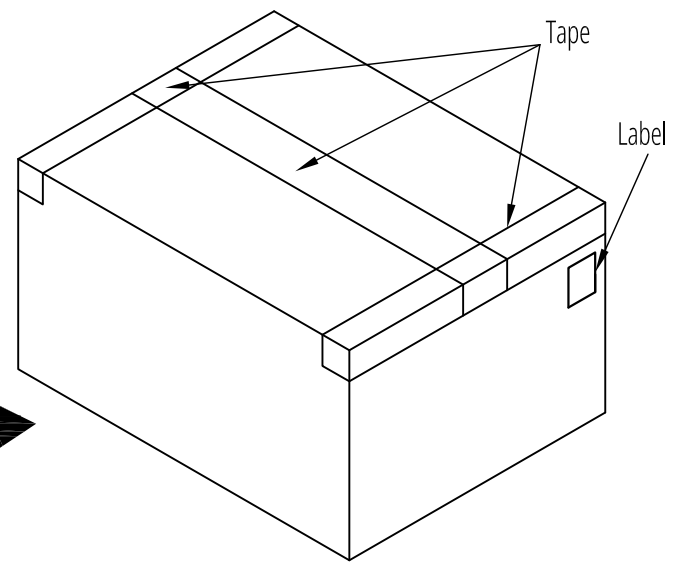
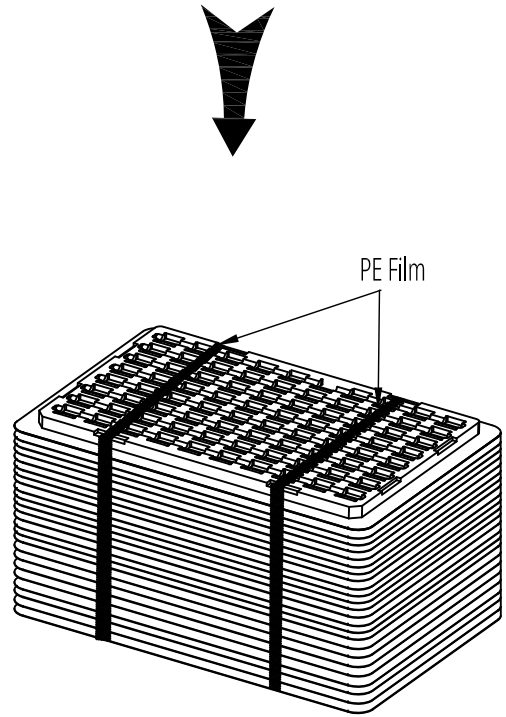
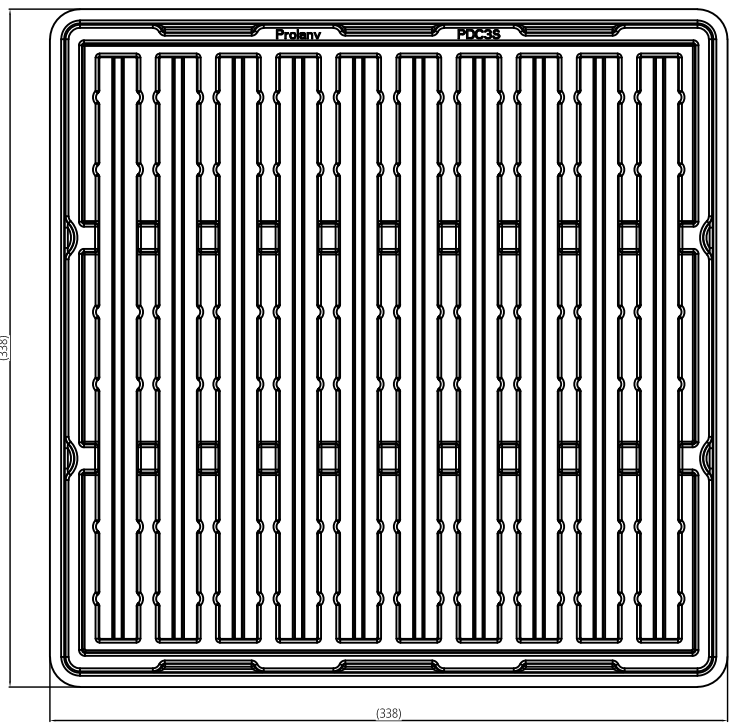
THIS DRAWING AND SPECIFICATION ARE THE PROPERTY OF Prolanv INC. AND SHALL BE REPRODUCED OR USED WITHOUT Prolanv PERMISSION

GENERAL TOLERANCES UNLESS SPECIFIED		PART NO. PDC3S10B001R	<b>Prolanv®</b>							
X ± 0.30	X.º ± 3º									
XX ± 0.20	.Xº ± 2º	APPROVED BY Mike	TITLE Power Female.H17.7mm. 40A/2PW+30S, Vert. SMT Type							
XXX ± 0.05	.XXº ± 1º	CHECKED BY Kysin	DWG NO. PDC3S-10							
SIZE A4	UNITS mm[only]	DRAWN BY Lucie	<table border="1"> <tr> <td rowspan="2"></td> <td>SHEET</td> <td>SCALE</td> <td>REV</td> </tr> <tr> <td>1 / 2</td> <td>1:1</td> <td>B1</td> </tr> </table>		SHEET	SCALE	REV	1 / 2	1:1	B1
	SHEET	SCALE	REV							
	1 / 2	1:1	B1							

1 2 3 4 5 6 7 8



- Notes:
1. Q'ty: 80 pcs/Tray, 12 Layers=960 pcs/Carton.
  2. Tray Pallet size: 338\*338mm.
  3. Carton size: 350\*350\*155mm.



THIS DRAWING AND SPECIFICATION ARE THE PROPERTY OF Prolanv AND SHALL NOT BE COPIED OR USED WITHOUT Prolanv PERMISSION

GENERAL TOLERANCES UNLESS SPECIFIED	
X± 0.30	X°± 3°
XX± 0.20	X°± 2°
XXX± 0.05	.XX°± 1°
CUSTOMER DRAWING	
SIZE	UNITS
A4	mm[only]

PART NO. PDC3S10B001R	APPROVED BY Mike
CHECKED BY Kysin	DRAWN BY Lucie

<b>Prolanv®</b>		
TITLE Power Female.H17.7mm. 40A/2PW+30S, SMT Type Packaging		
DWG NO. P-PDC3S-10		
	SHEET	SCALE
	2 / 2	NA
	REV	B1

1 2 3 4 5 6 7 8