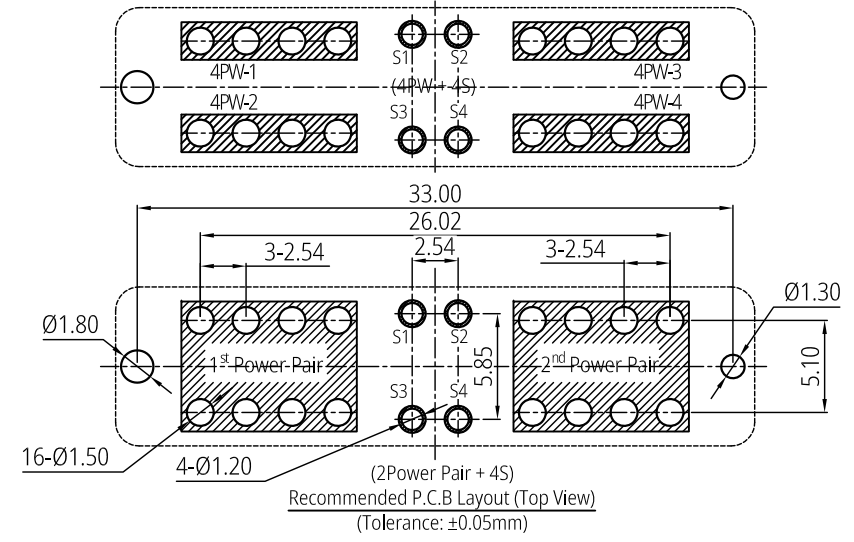


- Notes:
- Material Specification:
 - 1-1.Housing: High-Temperature thermoplastic, UL94 V-0.
 - 1-2.Contact: High-conductivity Copper Alloy.
 - Electrical Performance:
 - 2-1.Current rating (Power Pin): 60A/Per Pair.
 - 2-2.Current rating (Signal Pin): 3A/Per Pin.
 - 2-3.LLCR (Power Pin): 0.5mΩ max. (initial), 1mΩ max.(final).
 - 2-4.LLCR (Signal Pin): 20mΩ max.(initial), 30mΩ max.(final).
 - 2-5.Dielectric Withstanding Voltage: 500V AC (RMS) for 60s.
 - 2-6.Insulation Resistance: 500MΩ min. at 500V DC;
 - Mechanical Performance:
 - 3-1.Durability Life: 1,000 cycles min.
 - IR Reflow:

The peak temperature on board shall be maintained for 10 seconds at 260±5°C.
 - Operating temperature range: -35°C~105°C.
 - All parts RoHS and Reach compliant.



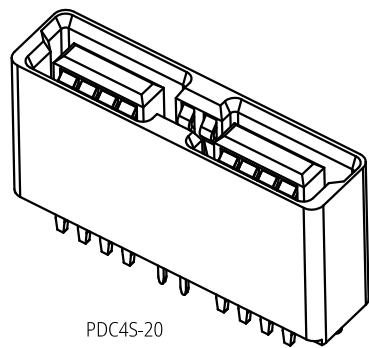
THIS DRAWING AND SPECIFICATION ARE THE PROPERTY OF Prolanv AND SHALL NOT BE COPIED OR USED WITHOUT Prolanv PERMISSION

GENERAL TOLERANCES UNLESS SPECIFIED		PART NO. PDC4S20B000R	Prolanv [®]							
X ± 0.30	X.° ± 3°			APPROVED BY Mike	TITLE High-Current Power Female. 2Pair(4PW)/4S, 60A. Vert. DIP Type					
XX ± 0.20	.X.° ± 2°			CHECKED BY Kysin	DWG NO. PDC4S-20					
XXX ± 0.05	.XX.° ± 1°	CUSTOMER DRAWING								
SIZE A4	UNITS mm[only]	DRAWN BY Lucie	<table border="1"> <tr> <td rowspan="2"></td> <td>SHEET</td> <td>SCALE</td> <td>REV</td> </tr> <tr> <td>1 / 2</td> <td>1:1</td> <td>A3</td> </tr> </table>		SHEET	SCALE	REV	1 / 2	1:1	A3
	SHEET	SCALE	REV							
	1 / 2	1:1	A3							

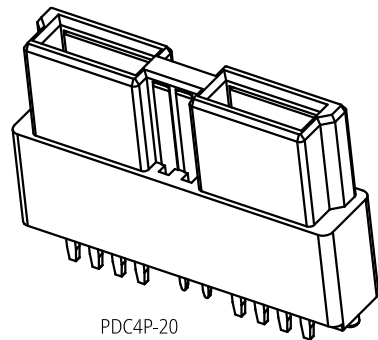
1 2 3 4 5 6 7 8

F
E
D
C
B
A

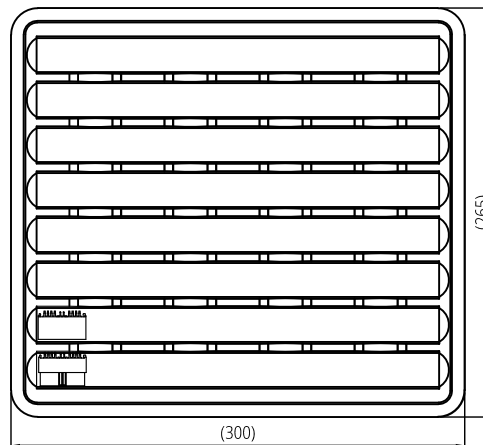
F
E
D
C
B
A



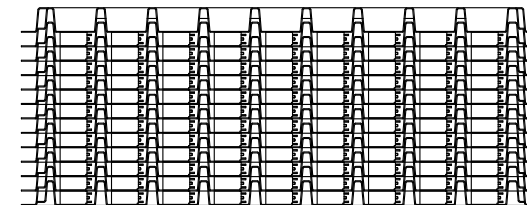
PDC4S-20



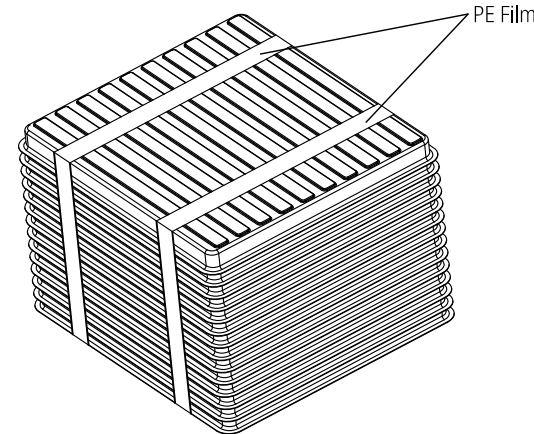
PDC4P-20



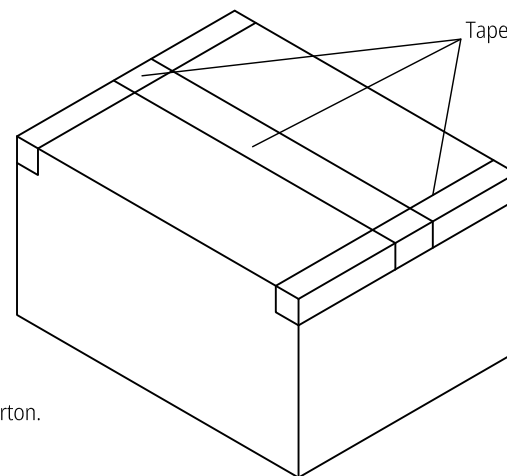
48 Pcs/Tray



12 Trays/Carton



PE Film



Notes:

- 1. Carton size: 350*350*155mm. K=K,
- 2. Qty: 48 Pcs/Tray, 12 Trays/Carton, Total 576 Pcs/Carton.

THIS DRAWING AND SPECIFICATION ARE THE PROPERTY OF Prolanv AND SHALL NOT BE COPIED OR USED WITHOUT Prolanv PERMISSION

GENERAL TOLERANCES UNLESS SPECIFIED		PART NO.	Prolanv [®]		
X ± 0.30	X° ± 3°	PDC4P/S20B000R			
XX ± 0.20	XX° ± 2°	APPROVED BY	TITLE High-Current Power Conn. 2Pair(4PW)/4S, 60A. Packaging		
XXX ± 0.05	XXX° ± 1°	Mike	DWG NO. P-PDC4P/S-20		
CUSTOMER DRAWING		CHECKED BY	REV		
		Kysin	2 / 2		
SIZE	UNITS	DRAWN BY	SCALE		
A4	mm[only]	Lucie	NA		
			A3		

1 2 3 4 5 6 7 8