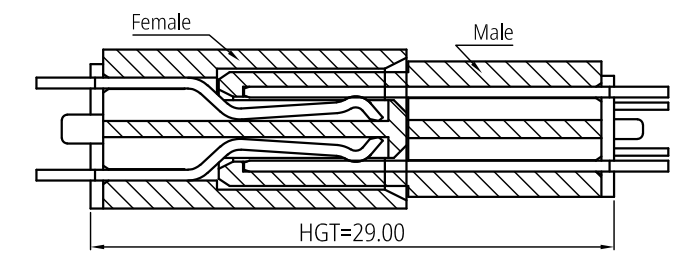
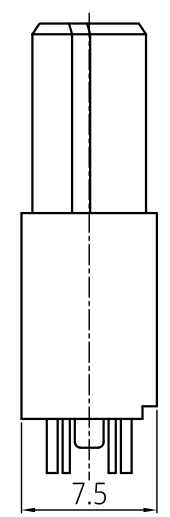
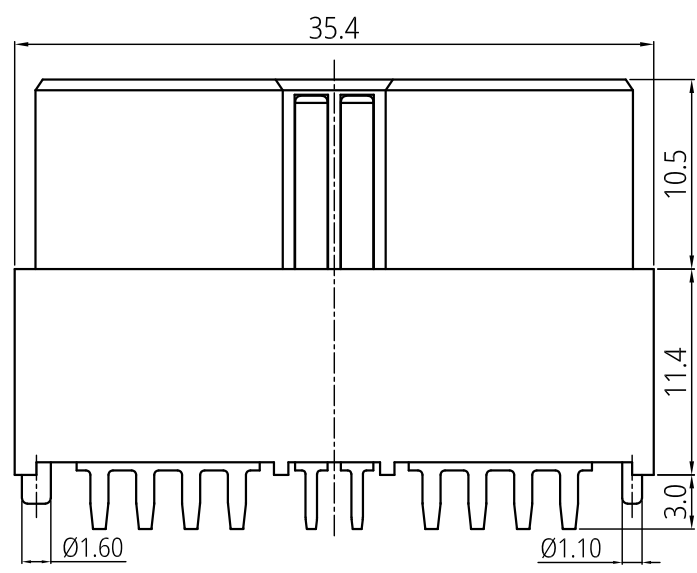


3D View

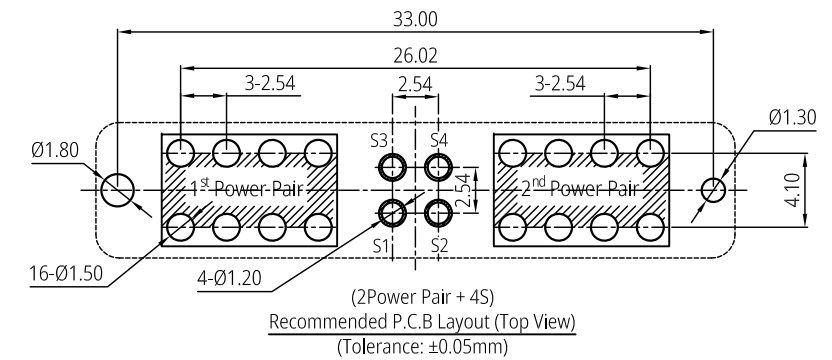
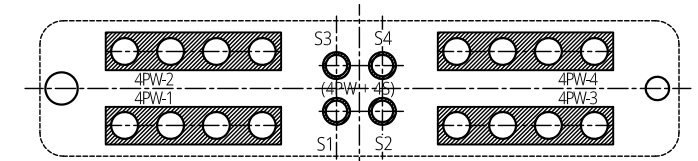


Mating View

Notes:

1. Material Specification:
  - 1-1.Housing: High-Temperature thermoplastic, UL94 V-0.
  - 1-2.Contact: High-conductivity Copper Alloy.
2. Electrical Performance:
  - 2-1.Current rating (Power Pin): 60A/Per Pair.
  - 2-2.Current rating (Signal Pin): 3A/Per Pin.
  - 2-3.LLCCR (Power Pin): 0.5mΩ max. (initial), 1mΩ max.(final).
  - 2-4.LLCCR (Signal Pin): 20mΩ max.(initial), 30mΩ max.(final).
  - 2-5.Dielectric Withstanding Voltage: 500V AC (RMS) for 60s.
  - 2-6.Insulation Resistance: 500MΩ min. at 500V DC;
3. Mechanical Performance:
  - 3-1.Durability Life: 1,000 cycles min.
4. IR Reflow:
 

The peak temperature on board shall be maintained for 10 seconds at 260±5°C.
5. Operating temperature range: -35°C~105°C.
6. All parts RoHS and Reach compliant.



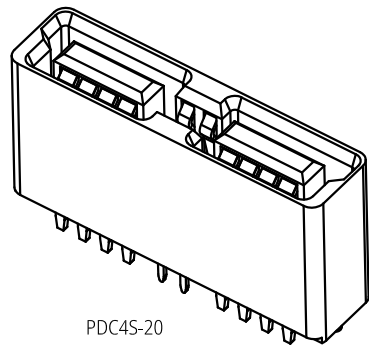
Recommended P.C.B Layout (Top View)  
(Tolerance: ±0.05mm)

THIS DRAWING AND SPECIFICATION ARE THE PROPERTY OF Prolanv AND SHALL NOT BE COPIED OR USED WITHOUT Prolanv PERMISSION	GENERAL TOLERANCES UNLESS SPECIFIED		PART NO.	<b>Prolanv</b> <sup>®</sup>		
	X ± 0.30	X.° ± 3°	PDC4P20B000R			
	XX ± 0.20	.X.° ± 2°	APPROVED BY	TITLE		
	XXX ± 0.05	.XX.° ± 1°	Mike	High-Current Power Male. 2Pair(4PW)/4S, 60A. Vert. DIP Type		
	CUSTOMER DRAWING		CHECKED BY	DWG NO.		
SIZE		UNITS	DRAWN BY			
A4	mm[only]	Lucie				
				SHEET	SCALE	REV
				1 / 2	1:1	A3

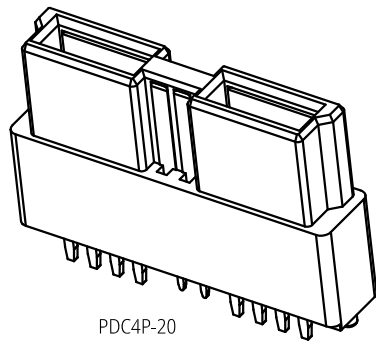
1 2 3 4 5 6 7 8

F  
E  
D  
C  
B  
A

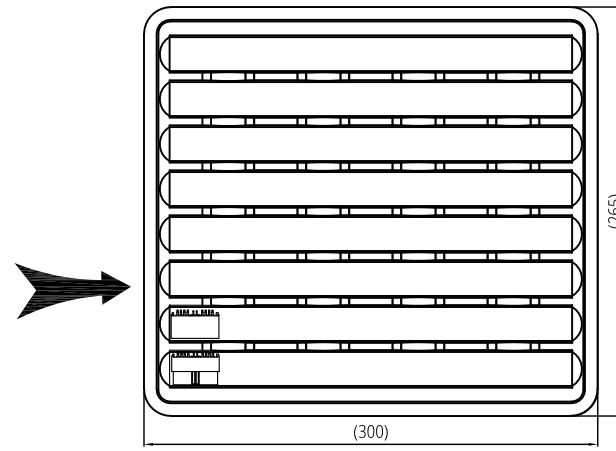
F  
E  
D  
C  
B  
A



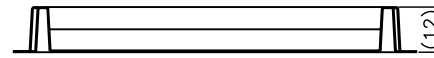
PDC4S-20



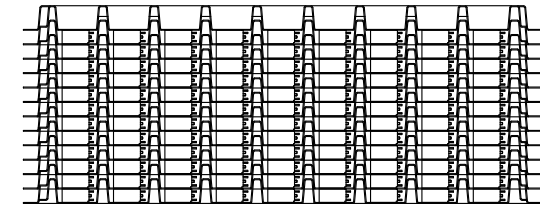
PDC4P-20



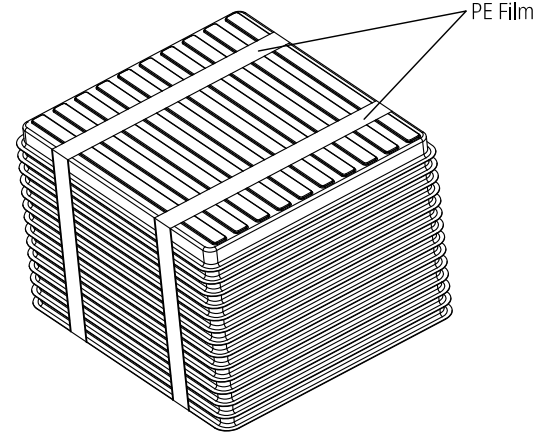
48 Pcs/Tray



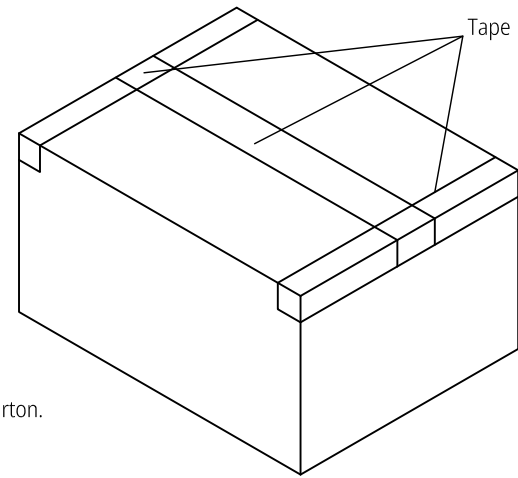
(12)



12 Trays/Carton



PE Film



Tape

Notes:

- 1. Carton size: 350\*350\*155mm. K=K,
- 2. Qty: 48 Pcs/Tray, 12 Trays/Carton, Total 576 Pcs/Carton.

THIS DRAWING AND SPECIFICATION ARE THE PROPERTY OF Prolanv AND SHALL NOT BE COPIED OR USED WITHOUT Prolanv PERMISSION

GENERAL TOLERANCES UNLESS SPECIFIED		PART NO.	<b>Prolanv</b> <sup>®</sup>		
X ± 0.30	X° ± 3°	PDC4P/S20B000R			
XX ± 0.20	.X° ± 2°	APPROVED BY	TITLE High-Current Power Conn. 2Pair(4PW)/4S, 60A. Packaging		
XXX ± 0.05	.XX° ± 1°	Mike	DWG NO. P-PDC4P/S-20		
CUSTOMER DRAWING		CHECKED BY	REV		
		Kysin	2 / 2		
SIZE	UNITS	DRAWN BY	SCALE NA		
A4	mm[only]	Lucie	REV A3		

1 2 3 4 5 6 7 8