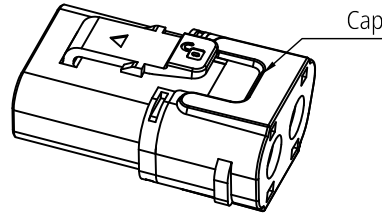
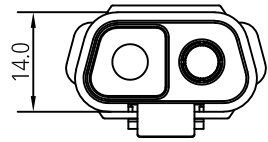
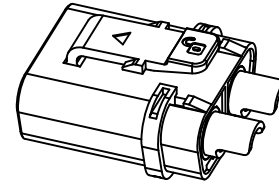


Patented product
专利产品

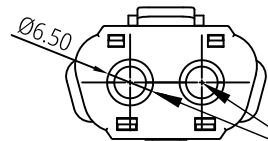
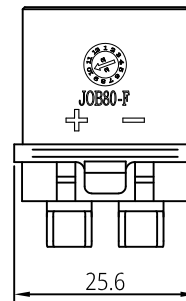
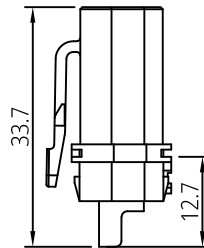
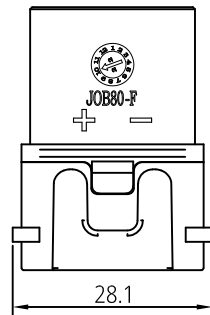
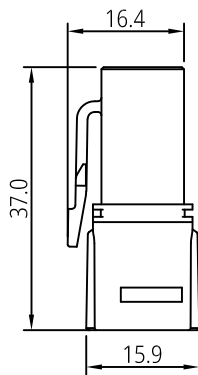
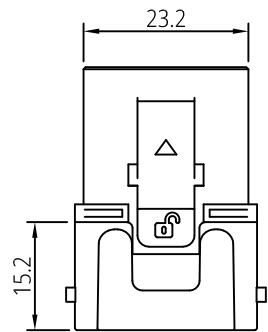
抑制涌流 Inhibit inrush current | 防火花 Anti Spark



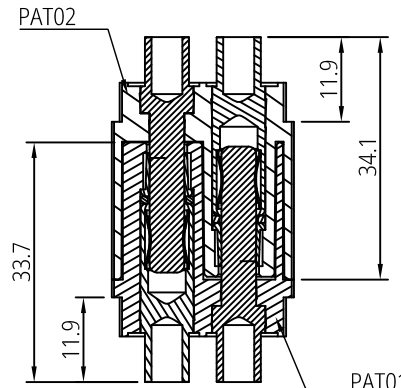
With Cap 3D View



W/O Cap 3D View



Recommended
 8AWG Max.



Mating View

Item	P/N	Description
1	PAT0110BT001	AT80 Power Conn. without Cap
2	PAT0110BT002	AT80 Power Conn. with Cap

Notes:

1. Material Specification

- 1-1. Housing: High Temperature Thermoplastic. UL94 V-0.
- 1-2. Contact: High Conductivity Copper Alloy.
- 1-3. Screw & Nut: Copper Alloy.

2. Plating Specification: Contact: Gold plating overall.

3. Electrical performance

- 3-1. Voltage Rating: 200V DC max.
- 3-2. Current Rating: 80A max @ per pin.
- 3-3. LLCR: 0.80mΩ max (initial); 1.80 mΩ max (final).
- 3-4. Dielectric Withstanding Voltage: 1500v DC rms/Power Pin.

3-5. Insulation Resistance: 5000 MΩ min/Power Pin.

4. Mechanical Performance:

- 4-1. Insertion force: 24.5N (2.5kgf) max @ per pair.
- 4-2. Withdrawal force: 6N (0.6kgf) min @ per pair.
- 4-3. Durability life: 2,000 cycles max.

5. Operating Temperature Range: -25~+125°C.

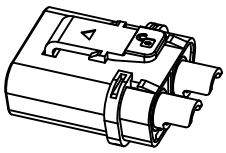
6. All parts RoHS and Reach compliant.

THIS DRAWING AND SPECIFICATION ARE THE PROPERTY OF Prolanv AND SHALL NOT BE COPIED OR USED WITHOUT Prolanv PERMISSION	GENERAL TOLERANCES UNLESS SPECIFIED		PART NO.		<h1 style="margin: 0;">Prolanv®</h1>						
	X ± 0.30	X.° ± 3°	PAT0110BT00X								
	XX ± 0.20	.X.° ± 2°	APPROVED BY	TITLE AT80 Power Connector. Wire-Harness Type.							
	XXX ± 0.05	.XX.° ± 1°	Mike								
	CUSTOMER DRAWING		CHECKED BY	DWG NO. PAT01-10							
			Henry								
SIZE	UNITS	DRAWN BY	<table border="1" style="display: inline-table; margin-left: 10px;"> <tr> <td>SHEET</td> <td>SCALE</td> <td>REV</td> </tr> <tr> <td>1 / 3</td> <td>1:1</td> <td>A2</td> </tr> </table>			SHEET	SCALE	REV	1 / 3	1:1	A2
SHEET	SCALE	REV									
1 / 3	1:1	A2									
A4	mm[only]	Poplar									

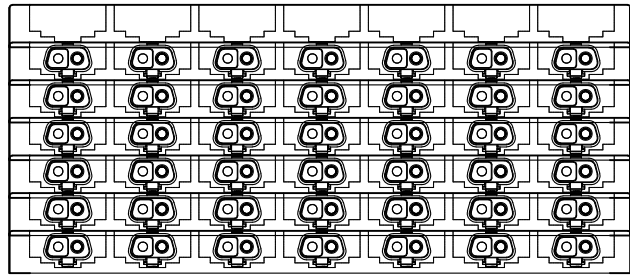
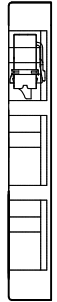
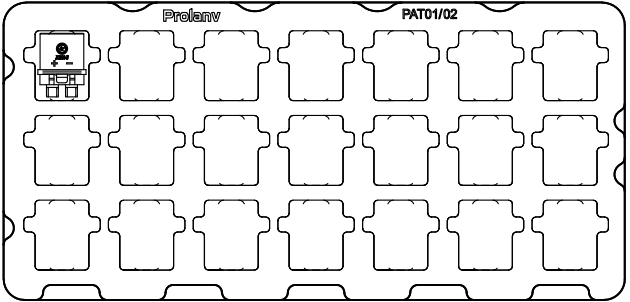
1 2 3 4 5 6 7 8

F
E
D
C
B
A

F
E
D
C
B
A



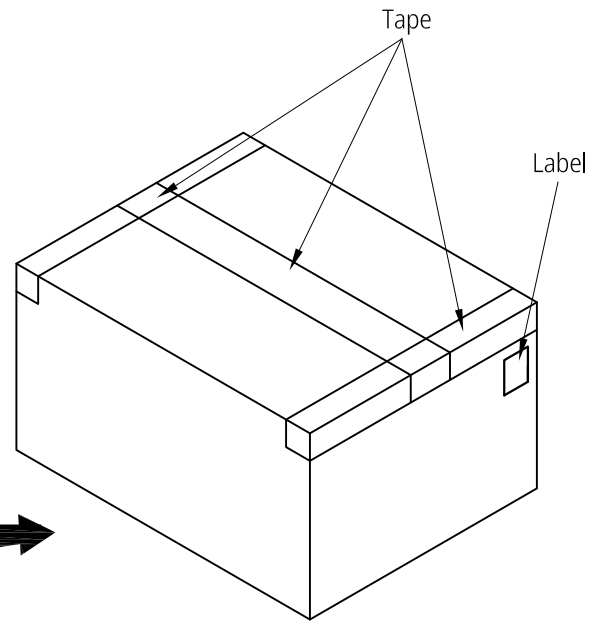
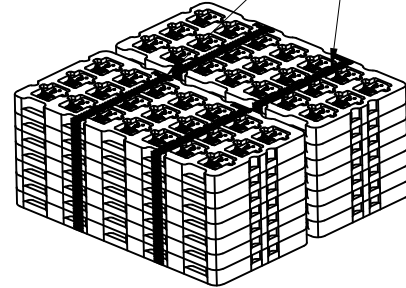
21 Pcs/Tray



Total: 2x7 Layers



PE Film



Notes:

- 1. Q'ty: 21 Pcs/Tray, 2x6 Layers = 252 Pcs/Carton.
- 2. Tray Pallet size: 330*158*22.5mm.
- 3. Carton size: 350*350*155mm.

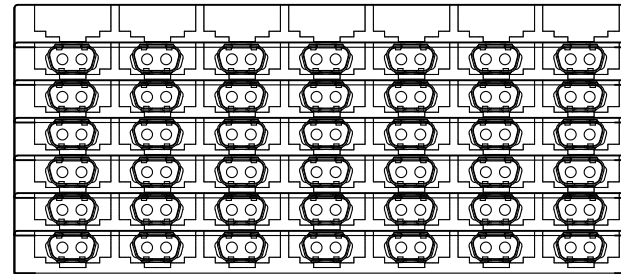
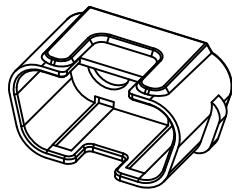
THIS DRAWING AND SPECIFICATION ARE THE PROPERTY OF Prolanv AND SHALL NOT BE COPIED OR USED WITHOUT Prolanv PERMISSION

GENERAL TOLERANCES UNLESS SPECIFIED		PART NO. PAT0110BT00X	Prolanv®							
X ± 0.30	X° ± 3°			APPROVED BY Mike	TITLE AT80 Power Connector. Wire-Harness Type Packaging					
XX ± 0.20	XX° ± 2°			CHECKED BY Henry	DWG NO. P-PAT01-10					
XXX ± 0.05	XXX° ± 1°	CUSTOMER DRAWING								
SIZE A4	UNITS mm[only]	DRAWN BY Poplar	<table border="1"> <tr> <td rowspan="2"></td> <td>SHEET</td> <td>SCALE</td> <td>REV</td> </tr> <tr> <td>2 / 3</td> <td>N/A</td> <td>A0</td> </tr> </table>		SHEET	SCALE	REV	2 / 3	N/A	A0
	SHEET	SCALE	REV							
	2 / 3	N/A	A0							

1 2 3 4 5 6 7 8

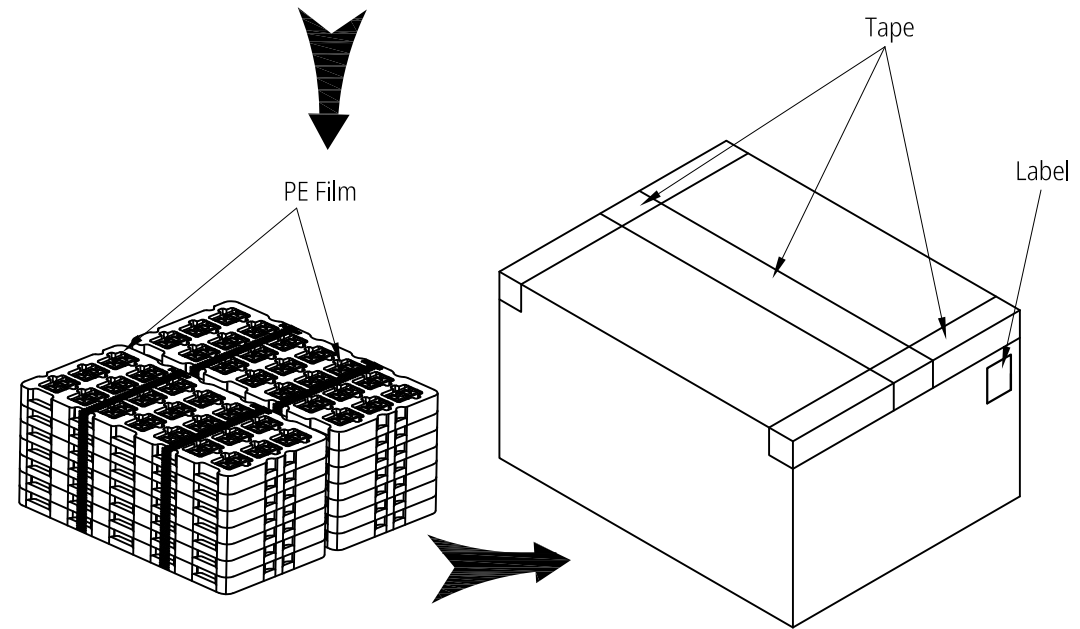
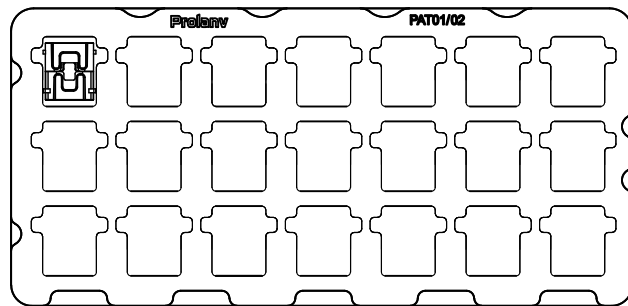
1 2 3 4 5 6 7 8

F
E
D
C
B
A



Total: 2x7 Layers

42 Pcs/Tray



Notes:

1. Q'ty: 42 Pcs/Tray, 2x6 Layers=504 Pcs/Carton.
2. Tray Pallet size: 330*160*22.5mm.
3. Carton size: 350*350*155mm.

THIS DRAWING AND SPECIFICATION ARE THE PROPERTY OF Prolanv AND SHALL NOT BE COPIED OR USED WITHOUT Prolanv PERMISSION	GENERAL TOLERANCES UNLESS SPECIFIED		PART NO.	Prolanv [®]		
	X ± 0.30	X° ± 3°	PAT02-203			
	XX ± 0.20	XX° ± 2°	APPROVED BY	TITLE		
	XXX ± 0.05	XXX° ± 1°	Mike	AT80 series Power Connector' Cap		
	CUSTOMER DRAWING		CHECKED BY	DWG NO.		
			Henry	P-PAT02-03		
SIZE	UNITS	DRAWN BY		SHEET	SCALE	REV
A4	mm[only]	Poplar		3 / 3	N/A	A0

1 2 3 4 5 6 7 8