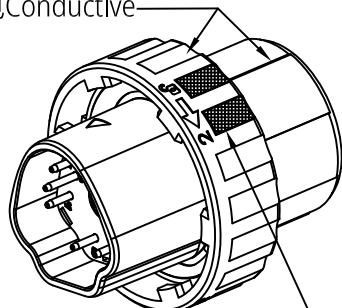
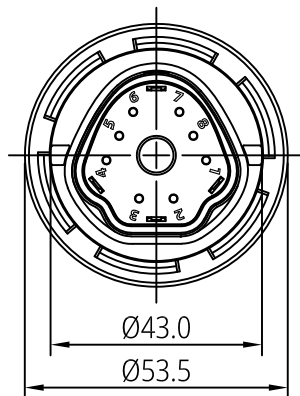


7 秒快拆 | 自动锁定
Quick fit | Autolock

Patented product
专利产品

快拆 | 抗振 | 防水 | 耐久 | 自锁定
Quick Fit | Anti-Vibration | Waterproof
Durability | Autolocking

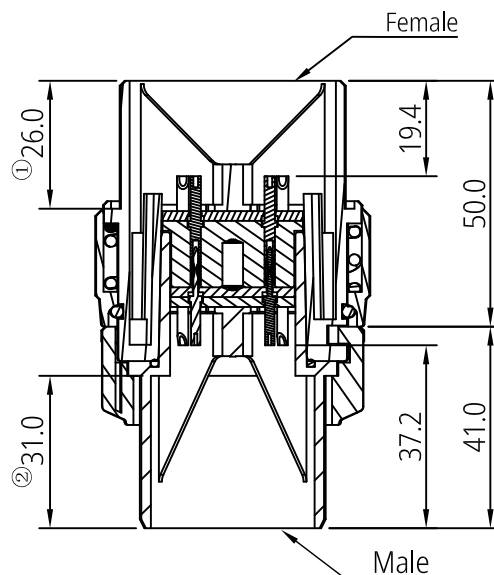
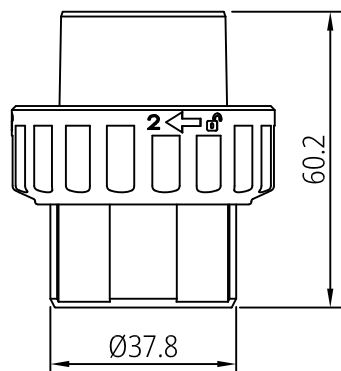
PAW08-201主轴
PAW08-202转动轴
导电Conductive



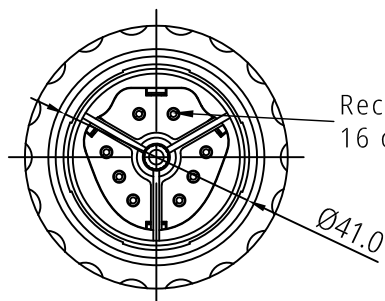
3D View

建议匹配管径
Recommended Match tube
外径 OD 40.5mm
内径 ID 38.0mm

可选颜色识别标志
Optional Color control
(红色或白色RD or WH)



Mating View



Recommended
16 or 18AWG

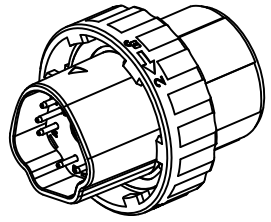
depth of penetration
①②插入深度
对配机身和机臂端

Notes:

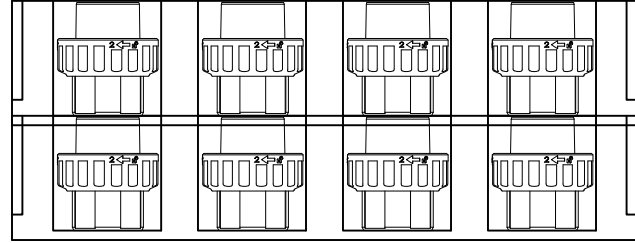
- Material Specification
 - Housing: High Temperature Thermoplastic. UL94 V-0 & HB, Black.
 - Contact: High Conductivity Copper Alloy.
 - Screw & Nut: Copper Alloy.
 - Spring: Steel Alloy.
 - O-ring: Silica gel.
- Plating Specification: Contact: Gold plating overall.
- Electrical performance
 - Voltage Rating: 250V DC max.
 - Current Rating: 35A/Per Pin.
 - LLCR: 1.2mΩ max. at working height.
 - Dielectric Withstanding Voltage: 1500v DC rms/Power Pin.
 - Insulation Resistance: 5000 MΩ min/Power Pin.
- Mechanical Performance:
 - Insertion force: 78.4N (8.0kgf) (max).
 - Withdrawal force: 19.6N~63.7N (2.0~6.5 kgf).
 - Durability life: 5,000 cycles.
- Waterproof grade: IPX5 in the mate connectors module state.
- Operating Temperature Range: -40~125°C (without loss function).
- All parts RoHS and Reach compliant.
- See SPS-PAW-01 for assembly sequence with device.

THIS DRAWING AND SPECIFICATION ARE THE PROPERTY OF Prolanv AND SHALL NOT BE COPIED OR USED WITHOUT Prolanv PERMISSION	GENERAL TOLERANCES UNLESS SPECIFIED		PART NO.	Prolanv®						
	X± 0.30	X.°± 3°	PAW0810C0002							
	XX± 0.20	.X.°± 2°	APPROVED BY	TITLE						
	XXX± 0.05	.XX.°± 1°	Mike	AW40 Male. Wire-Harness Type. arm connector module						
	CUSTOMER DRAWING		CHECKED BY	DWG NO.						
			Henry	PAW08-20						
SIZE	UNITS	DRAWN BY	<table border="1" style="display: inline-table; vertical-align: middle;"> <tr> <td>SHEET</td> <td>SCALE</td> <td>REV</td> </tr> <tr> <td>1 / 2</td> <td>1:1</td> <td>A0</td> </tr> </table>		SHEET	SCALE	REV	1 / 2	1:1	A0
SHEET	SCALE	REV								
1 / 2	1:1	A0								
A4	mm[only]	Poplar								

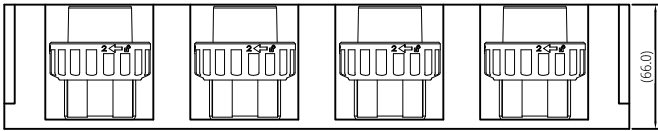
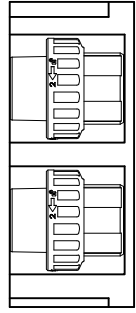
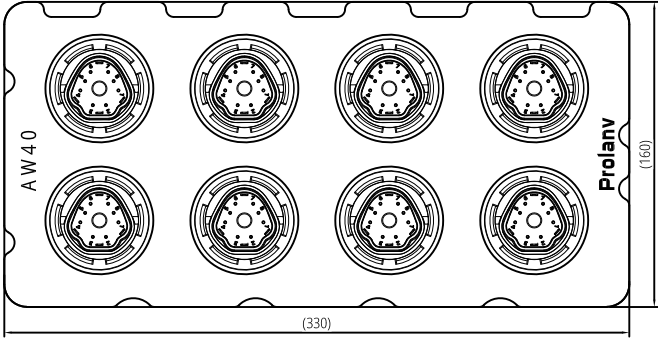
1 2 3 4 5 6 7 8



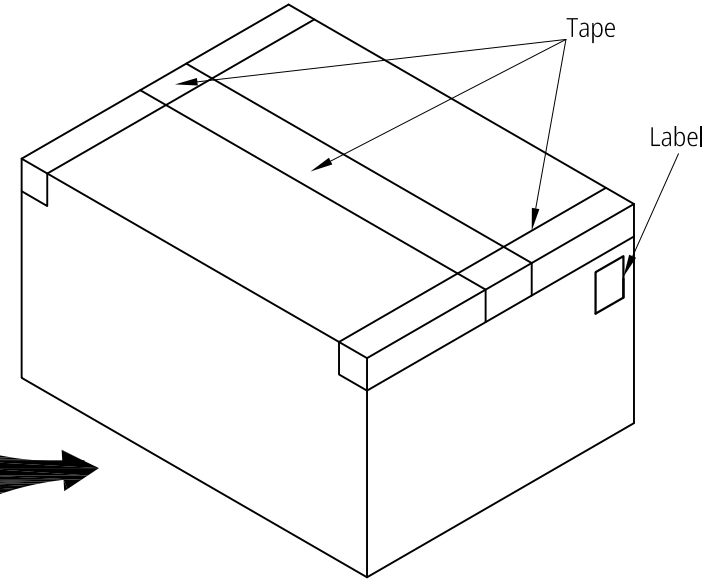
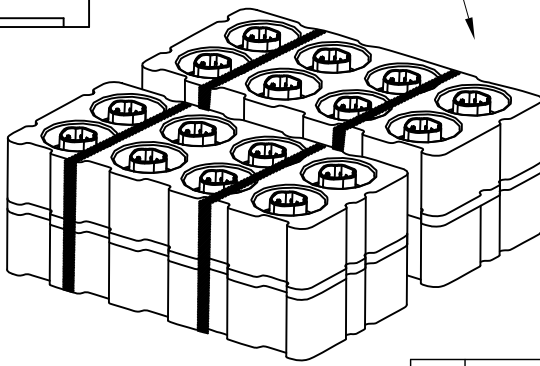
8Pcs/Tray



Total: 2x2 Layers



PE Film

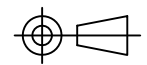


Notes:

1. Q'ty:8Pcs/Tray, 2x2 Layers=32 Pcs/Carton.
2. Tray Pallet size: 330*160mm.
3. Carton size: 350*350*155mm.

THIS DRAWING AND SPECIFICATION ARE THE PROPERTY OF Prolanv AND SHALL NOT BE COPIED OR USED WITHOUT Prolanv PERMISSION

GENERAL TOLERANCES UNLESS SPECIFIED		PART NO.	Prolanv®		
X ± 0.30	X° ± 3°	PAW0810C0002			
XX ± 0.20	XX° ± 2°	APPROVED BY	TITLE AW40 Male. Wire-Harness Type. arm connector module Packaging		
XXX ± 0.05	XXX° ± 1°	Mike	DWG NO. P-PAW08-20		
CUSTOMER DRAWING		CHECKED BY	REV		
		Henry	2 / 2		
SIZE	UNITS	DRAWN BY	SCALE		
A4	mm[only]	Poplar	N/A		



SHEET	SCALE	REV
2 / 2	N/A	A0

1 2 3 4 5 6 7 8