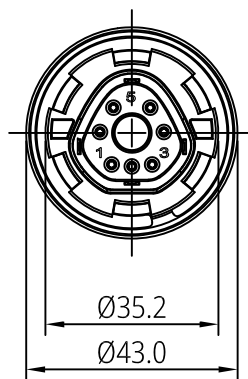
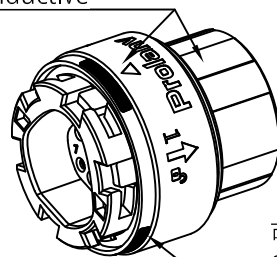


7 秒快拆 | 自动锁定  
Quick fit | Autolock

**Patented product**  
**专利产品**  
快拆 | 抗振 | 防水 | 耐久 | 自锁定  
Quick Fit | Anti-Vibration | Waterproof  
Durability | Autolocking



PAW09-201 主轴  
PAW09-202 滑动轴  
导电 Conductive



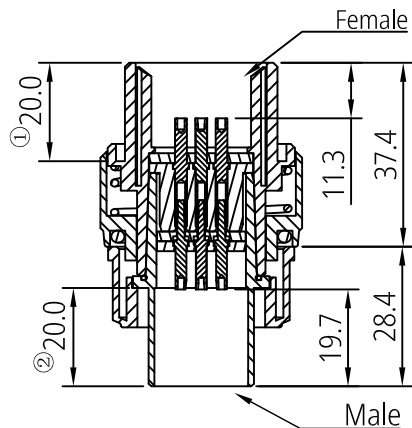
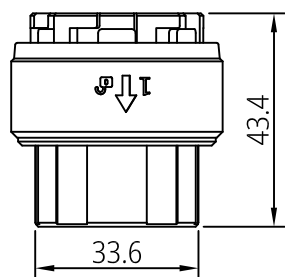
3D View

建议匹配管径  
Recommended match tube  
外径 OD 36.5mm  
内径 ID 34.0mm

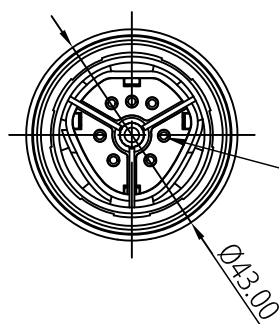
可选颜色识别标志  
Optional Color control  
(红色或白色 RD or WH)

Notes:

- Material Specification
  - Housing: High Temperature Thermoplastic. UL94 V-0 & HB, Black.
  - Contact: High Conductivity Copper Alloy.
  - Screw & Nut: Copper Alloy.
- Plating Specification: Contact: Gold plating overall.
- Electrical performance
  - Voltage Rating: 250V DC max.
  - Current Rating: 15A/Per Pin.
  - LLCR: 1.2mΩ max. at working height.
  - Dielectric Withstanding Voltage: 1500v DC rms/Power Pin.
  - Insulation Resistance: 5000 MΩ min/Power Pin.
- Mechanical Performance:
  - Insertion force: 68.6N (7.0kgf) (max).
  - Withdrawal force: 19.6N~63.7N (2.0~6.5 kgf).
  - Durability life: 5,000 cycles.
- Waterproof grade: IPX5 in the mate connectors module state.
- Operating Temperature Range: -40~125°C (without loss function).
- All parts RoHS and Reach compliant.
- See SPS-PAW-01 for assembly sequence with device.



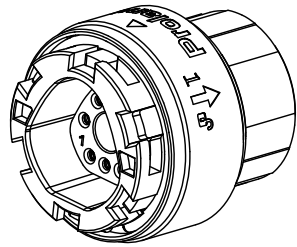
Mating View



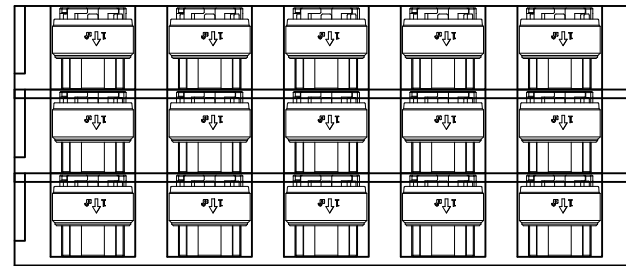
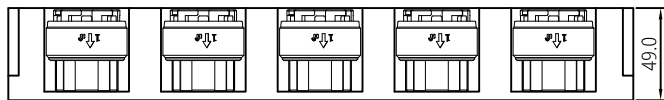
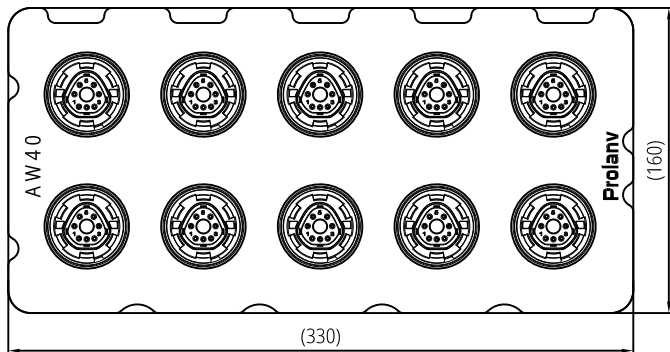
Recommended  
16 or 18AWG

depth of penetration  
①②插入深度  
对配机身和机臂端

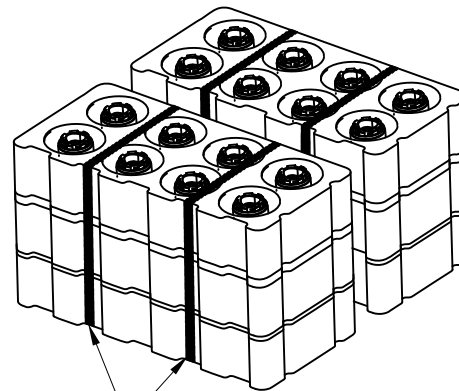
|   |                                     |           |              |  |          |       |        |
|---|-------------------------------------|-----------|--------------|--|----------|-------|--------|
| THIS DRAWING AND SPECIFICATION ARE THE PROPERTY OF Prolanv AND SHALL NOT BE COPIED OR USED WITHOUT Prolanv PERMISSION | GENERAL TOLERANCES UNLESS SPECIFIED |           | PART NO.     | <b>Prolanv</b><br>AW40   Female. Wire-Harness Type. arm connector module |          |       |        |
|   | X ± 0.30                            | X° ± 3°   | PAW0910C0002 |  |          |       |        |
|   | XX ± 0.20                           | .X° ± 2°  | APPROVED BY  | Mike   |          |       |        |
|   | XXX ± 0.05                          | .XX° ± 1° | Mike         |  |          |       |        |
|   | CUSTOMER DRAWING                    |           | CHECKED BY   | Henry  |          |       |        |
|   | SIZE                                |           | DRAWN BY     |  |          |       | Poplar |
| A4  | mm[only]                            |           |              | DWG NO.  | PAW09-20 |       |        |
|   |                                     |           |              |  | SHEET    | SCALE | REV    |
|   |                                     |           |              |  | 1 / 2    | 1:1   | A0     |



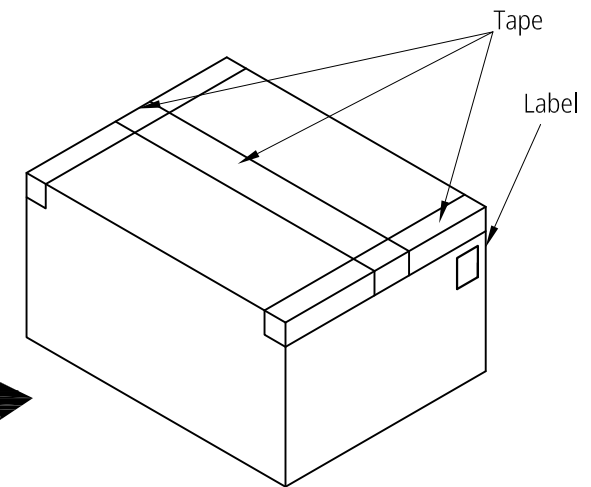
10 Pcs/Tray



Total: 2x3 Layers



PE Film



Notes:

1. Q'ty: 10 Pcs/Tray, 2x3 Layers= 60 Pcs/Carton.
2. Tray Pallet size: 330\*160mm.
3. Carton size: 350\*350\*155mm.

THIS DRAWING AND SPECIFICATION ARE THE PROPERTY OF Prolanv AND SHALL NOT BE COPIED OR USED WITHOUT Prolanv PERMISSION

|                                     |          |              |   |  |  |
|-------------------------------------|----------|--------------|---|--|--|
| GENERAL TOLERANCES UNLESS SPECIFIED |          | PART NO.     | <b>Prolanv</b> <sup>®</sup>   |  |  |
| X± 0.30                             | X°± 3°   | PAW0910C0002 |   |  |  |
| XX± 0.20                            | XX°± 2°  | APPROVED BY  | TITLE AW40 Female.Wire-Harness Type. arm connector module Packaging |  |  |
| XXX± 0.05                           | XXX°± 1° | Mike         | DWG NO. P-PAW09-20  |  |  |
| CUSTOMER DRAWING                    |          | CHECKED BY   | REV   |  |  |
|                                     |          | Henry        | 2 / 2   |  |  |
| SIZE                                | UNITS    | DRAWN BY     | SCALE   |  |  |
| A4                                  | mm[only] | Poplar       | N/A   |  |  |
|                                     |          |              | A0  |  |  |