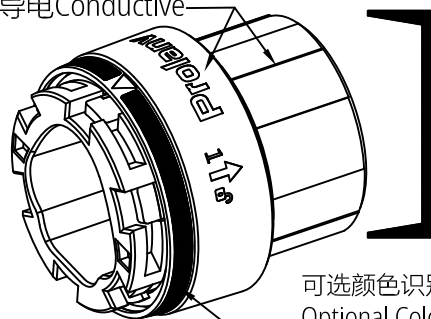
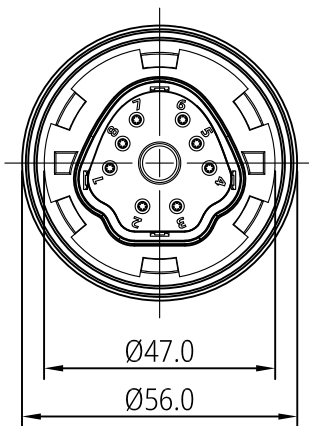


7 秒快拆 | 自动锁定
Quick fit | Autolock

Patented product
专利产品
快拆 | 抗振 | 防水 | 耐久 | 自锁定
Quick Fit | Anti-Vibration | Waterproof
Durability | Autolocking

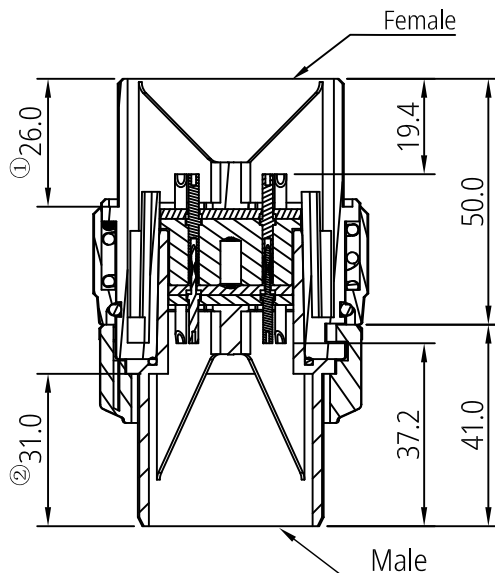
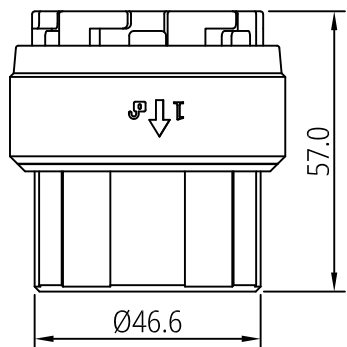
PAW07-201 主轴
PAW07-202 滑动轴
导电Conductive



3D View

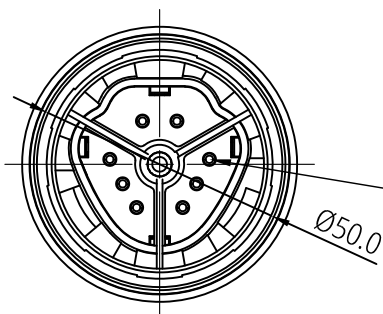
建议匹配管径
Recommended Match tube
外径 OD 49.5mm
内径 ID 47.0mm

可选颜色识别标志
Optional Color control
(红色或白色RD or WH)



Mating View

Recommended
16 or 18AWG



depth of penetration
①②插入深度
对配机身和机臂端

Notes:

- Material Specification
 - Housing: High Temperature Thermoplastic. UL94 V-0 & HB, Black.
 - Contact: High Conductivity Copper Alloy.
 - Screw & Nut: Copper Alloy.
- Plating Specification: Contact: Gold plating overall.
- Electrical performance
 - Voltage Rating: 250V DC max.
 - Current Rating: 35A/Per Pin.
 - LLCR: 1.2mΩ max. at working height.
 - Dielectric Withstanding Voltage: 1500v DC rms/Power Pin.
 - Insulation Resistance: 5000 MΩ min/Power Pin.
- Mechanical Performance:
 - Insertion force: 78.4N (8.0kgf) (max).
 - Withdrawal force: 19.6N~63.7N (2.0~6.5 kgf).
 - Durability life: 5,000 cycles.
- Waterproof grade: IPX5 in the mate connectors module state.
- Operating Temperature Range: -40~125°c(without loss function).
- All parts RoHS and Reach compliant.
- See SPS-PAW-01 for assembly sequence with device.

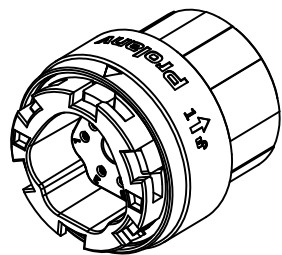
THIS DRAWING AND SPECIFICATION ARE THE PROPERTY OF Prolanv AND SHALL NOT BE COPIED OR USED WITHOUT Prolanv PERMISSION

GENERAL TOLERANCES UNLESS SPECIFIED		PART NO. PAW0710C0002	Prolanv [®]							
X± 0.30	X°± 3°									
XX± 0.20	.X°± 2°	APPROVED BY Mike	TITLE AW40 Female. Wire-Harness Type. arm connector module							
XXX± 0.05	.XX°± 1°	CHECKED BY Henry	DWG NO. PAW07-20							
CUSTOMER DRAWING		DRAWN BY Poplar								
SIZE A4	UNITS mm[only]		<table border="1"> <tr> <td rowspan="2"></td> <td>SHEET</td> <td>SCALE</td> <td>REV</td> </tr> <tr> <td>1 / 2</td> <td>1:1</td> <td>A0</td> </tr> </table>		SHEET	SCALE	REV	1 / 2	1:1	A0
	SHEET	SCALE	REV							
	1 / 2	1:1	A0							

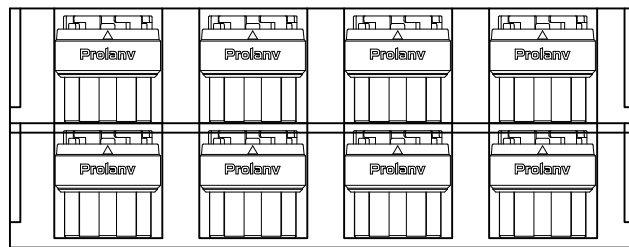
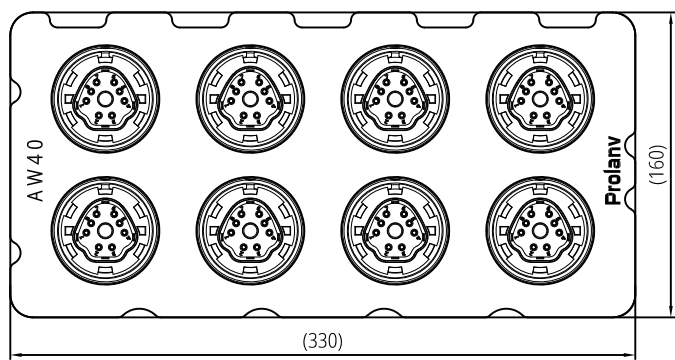
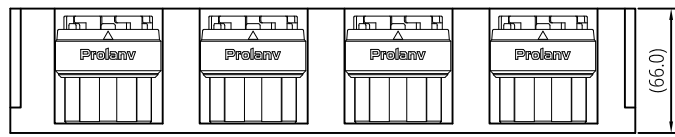
1 2 3 4 5 6 7 8

F
E
D
C
B
A

F
E
D
C
B
A

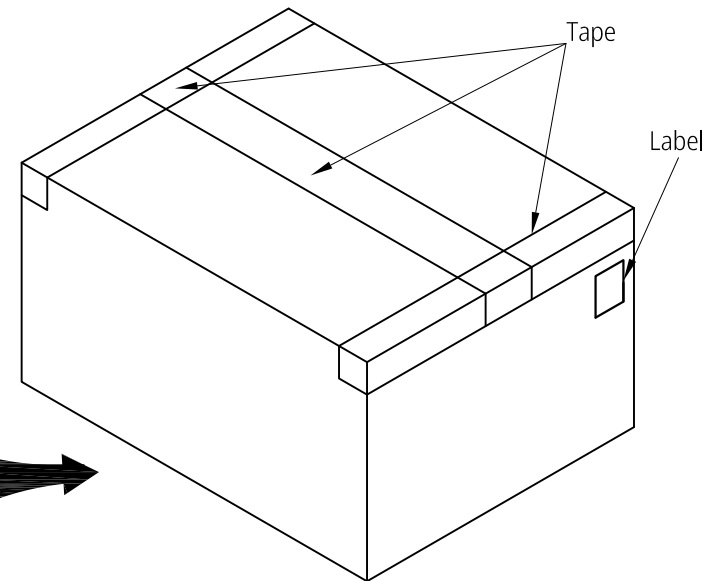
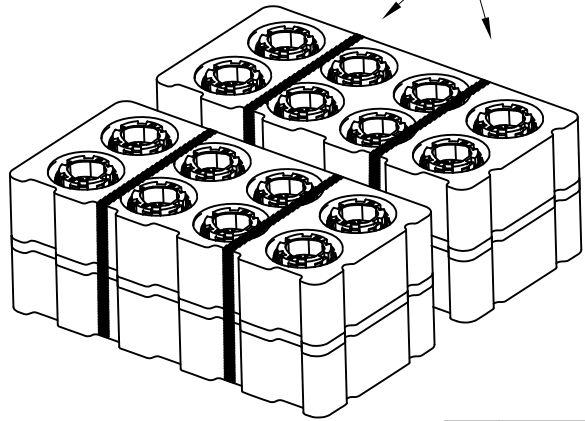


8 Pcs/Tray



Total: 2x2 Layers

PE Film



Notes:

1. Q'ty: 8 Pcs/Tray, 2x2 Layers=32 Pcs/Carton.
2. Tray Pallet size: 330*160mm.
3. Carton size: 350*350*155mm.

THIS DRAWING AND SPECIFICATION ARE THE PROPERTY OF Prolanv AND SHALL NOT BE COPIED OR USED WITHOUT Prolanv PERMISSION	GENERAL TOLERANCES UNLESS SPECIFIED		PART NO.		Prolanv®		
	X± 0.30	X°± 3°	PAW0710C0002				
	XX± 0.20	XX°± 2°	APPROVED BY		TITLE		
	XXX± 0.05	XXX°± 1°	Mike		AW40 Female.Wire-Harness Type. arm connector module Packaging		
	CUSTOMER DRAWING		CHECKED BY		DWG NO.		
			Henry		P-PAW07-20		
SIZE	UNITS	DRAWN BY			SHEET	SCALE	REV
A4	mm[only]	Poplar			2 / 2	N/A	A0

1 2 3 4 5 6 7 8