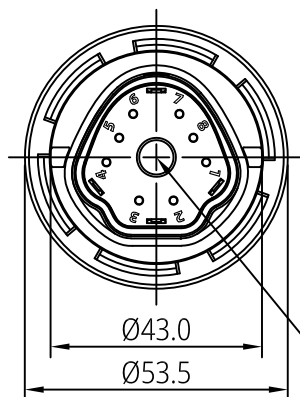


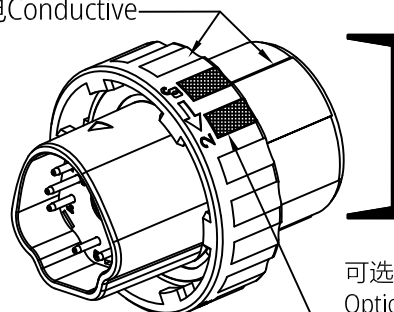
7 秒快拆 | 自动锁定  
Quick fit | Autolock



PAW08-201 主轴  
PAW08-202 转动轴  
导电 Conductive



REC Screw torque  
19.6N (2.0kgf) max



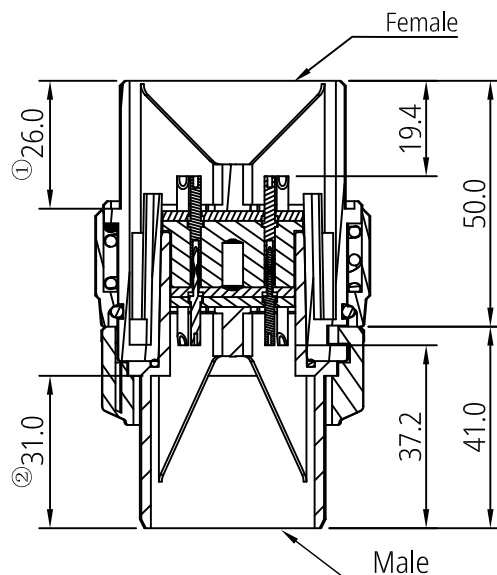
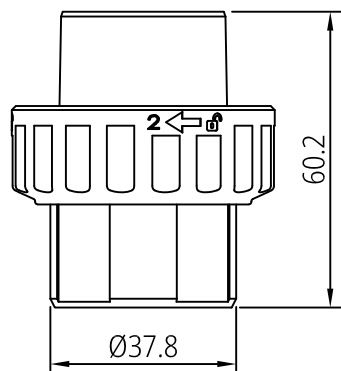
3D View

建议匹配管径  
REC Match tube  
外径 OD 40.5mm  
内径 ID 38.0mm

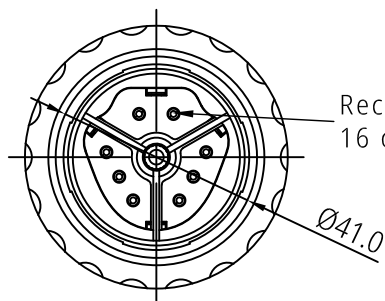
可选颜色识别标志  
Optional Color control  
(红色或白色RD or WH)

Notes:

- Material Specification
  - Housing: High Temperature Thermoplastic. UL94 V-0 & HB, Black.
  - Contact: High Conductivity Copper Alloy.
  - Screw & Nut: Copper Alloy.
  - Spring: Steel Alloy.
  - O-ring: Silica gel.
- Plating Specification: Contact: Gold plating overall.
- Electrical performance
  - Voltage Rating: 250V DC max.
  - Current Rating: 35A/Per Pin.
  - LLCR: 1.2mΩ max. at working height.
  - Dielectric Withstanding Voltage: 1500v DC rms/Power Pin.
  - Insulation Resistance: 5000 MΩ min/Power Pin.
- Mechanical Performance:
  - Insertion force: 78.4N (8.0kgf) (max).
  - Withdrawal force: 19.6N~63.7N (2.0~6.5 kgf).
  - Durability life: 5,000 cycles.
- Waterproof grade: IPX5 in the mate connectors module state.
- Operating Temperature Range: -40~125°C (without loss function).
- All parts RoHS and Reach compliant.
- See SPS-PAW-01 for assembly sequence with device.



Mating View



Recommended  
16 or 18AWG

depth of penetration  
①②插入深度  
对配机身和机臂端

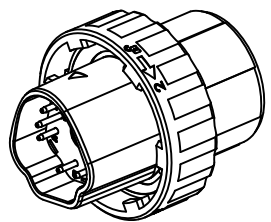
THIS DRAWING AND SPECIFICATION ARE THE PROPERTY OF Prolanv AND SHALL NOT BE COPIED OR USED WITHOUT Prolanv PERMISSION

GENERAL TOLERANCES UNLESS SPECIFIED		PART NO.	<b>Prolanv®</b>		
X ± 0.30	X° ± 3°	PAW0810C0002			
XX ± 0.20	.X° ± 2°	APPROVED BY	TITLE AW40   Male. Wire-Harness Type. arm connector module		
XXX ± 0.05	.XX° ± 1°	Mike	DWG NO. PAW08-20		
CUSTOMER DRAWING		CHECKED BY	REV		
		Henry	1 / 2		
SIZE	UNITS	DRAWN BY	SCALE		
A4	mm[only]	Poplar	1:1		
			A0		

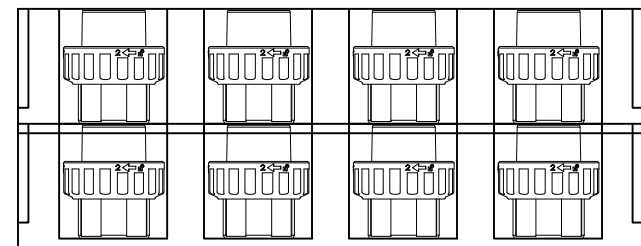
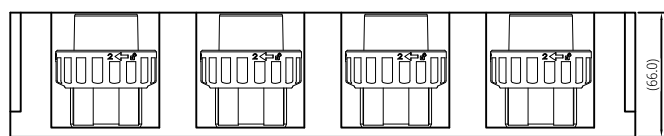
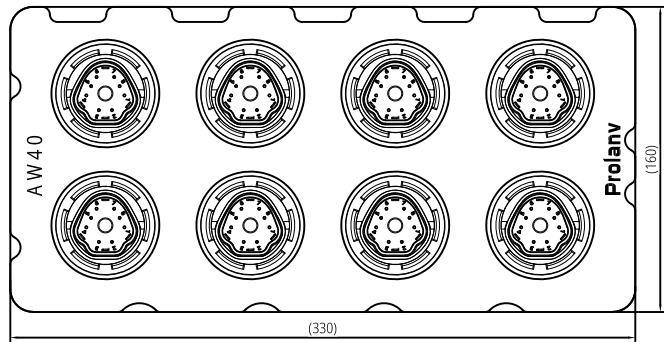
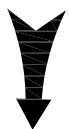
1 2 3 4 5 6 7 8

F  
E  
D  
C  
B  
A

F  
E  
D  
C  
B  
A



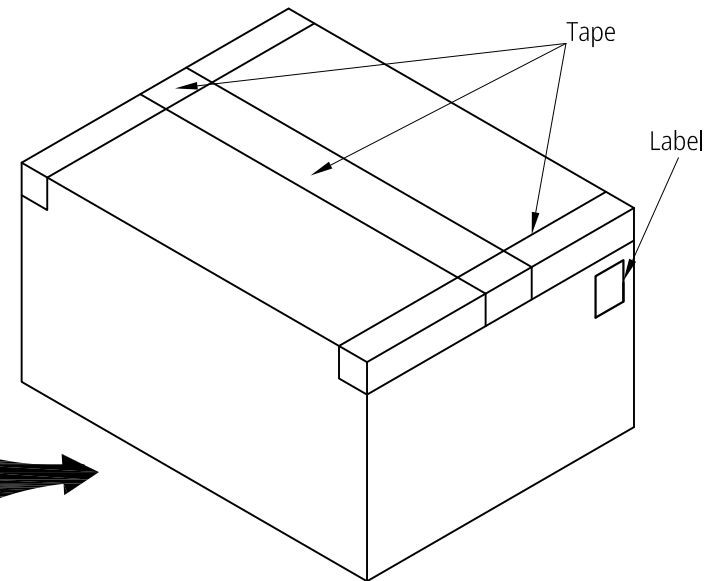
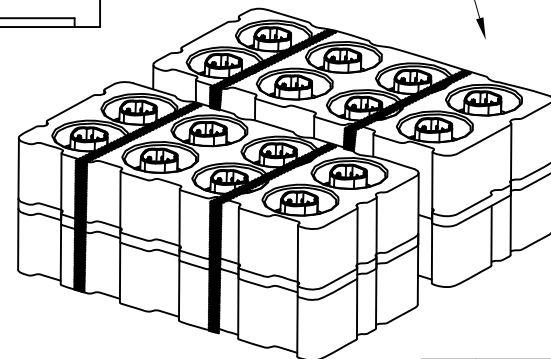
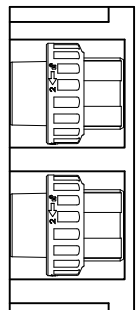
8Pcs/Tray



Total: 2x2 Layers



PE Film



Notes:

1. Q'ty:8Pcs/Tray, 2x2 Layers=32 Pcs/Carton.
2. Tray Pallet size: 330\*160mm.
3. Carton size: 350\*350\*155mm.

THIS DRAWING AND SPECIFICATION ARE THE PROPERTY OF Prolanv AND SHALL NOT BE COPIED OR USED WITHOUT Prolanv PERMISSION	GENERAL TOLERANCES UNLESS SPECIFIED		PART NO.	<b>Prolanv®</b>						
	X ± 0.30	X° ± 3°	PAW0810C0002							
	XX ± 0.20	XX° ± 2°	APPROVED BY	TITLE						
	XXX ± 0.05	XXX° ± 1°	Mike	AW40  Male. Wire-Harness Type. arm connector module Packaging						
	CUSTOMER DRAWING		CHECKED BY	DWG NO.						
SIZE		UNITS	DRAWN BY	<table border="1"> <tr> <td>SHEET</td> <td>SCALE</td> <td>REV</td> </tr> <tr> <td>2 / 2</td> <td>N/A</td> <td>A0</td> </tr> </table>	SHEET	SCALE	REV	2 / 2	N/A	A0
SHEET	SCALE	REV								
2 / 2	N/A	A0								
A4	mm[only]	Poplar								

1 2 3 4 5 6 7 8